

Crimping type female insulator with locking block  
for panel

For panel

MRP-( )RF01+

Crimping

RoHS

With locking block

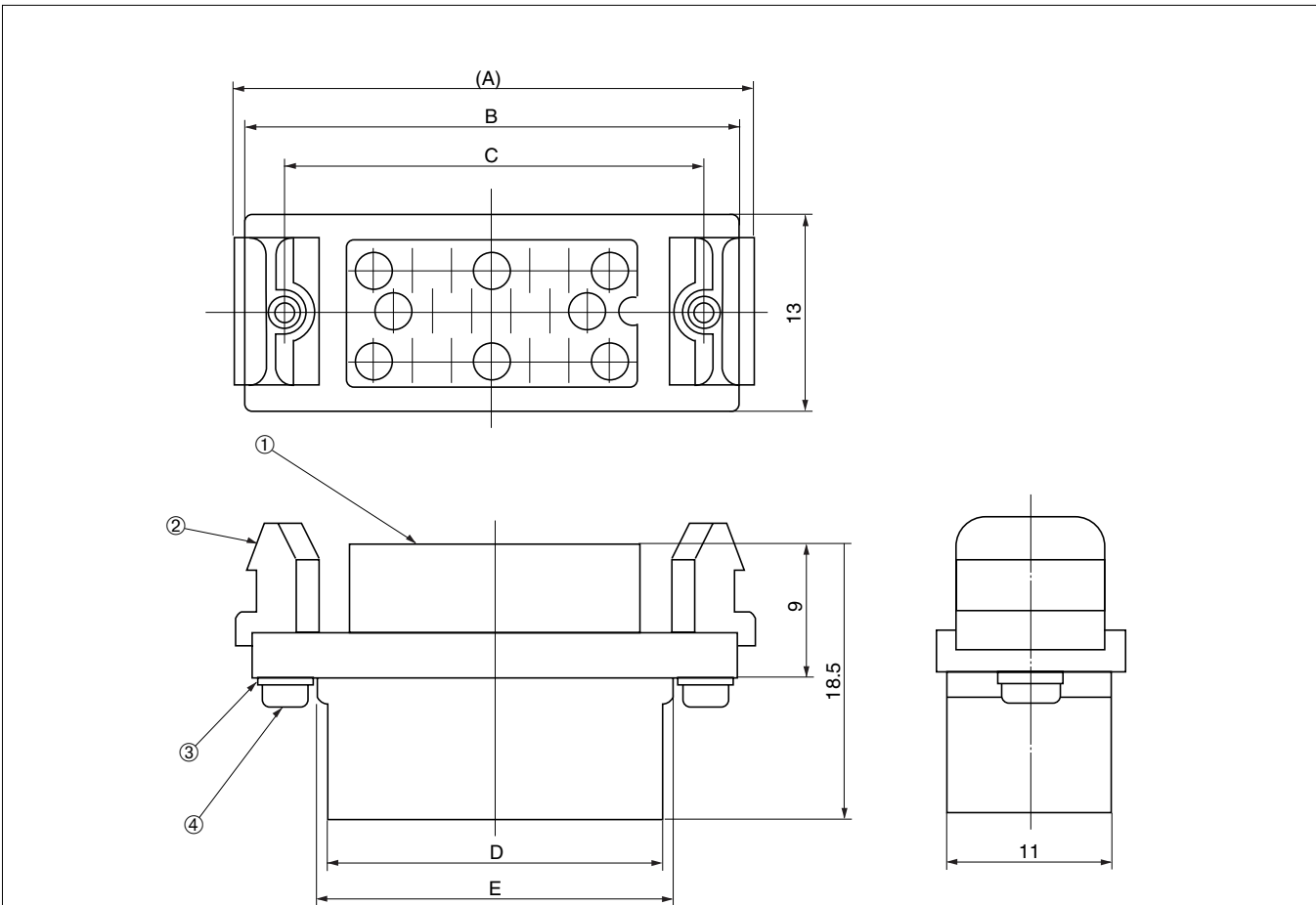


● Configuration of product Part No.

MRP- ( ) R F01+

① ② ③ ④

- ① Series name
- ② No. of contacts: 16, 20, 25, 34 or 50
- ③ With locking block
- ④ Female insulator



● Dimensions

Part No.	A	B	C	D	E
MRP-16RF01+	32.4	30.2	25.2	—	19.7
MRP-20RF01+	35.0	32.8	27.8	21.3	22.3
MRP-25RF01+	40.2	38	33	—	27.5
MRP-34RF01+	48.0	45.8	40.8	—	35.3
MRP-50RF01+	63.6	61.4	56.4	—	50.9

● Components

①	Female insulator
②	Locking block (Appended)
③	Spring washer (Appended)
④	Small-sized Phillips head screw (Appended)

Applicable contacts: MRP-F1( )()