

Cable-side soldering type male connector for mounting on a panel (with screw lock)
PCR-E()PMRS-SL+

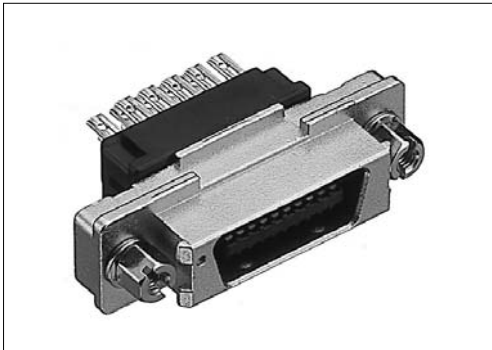
1.27 mm pitch connector

For panel

Soldering

EMI-filtered

RoHS

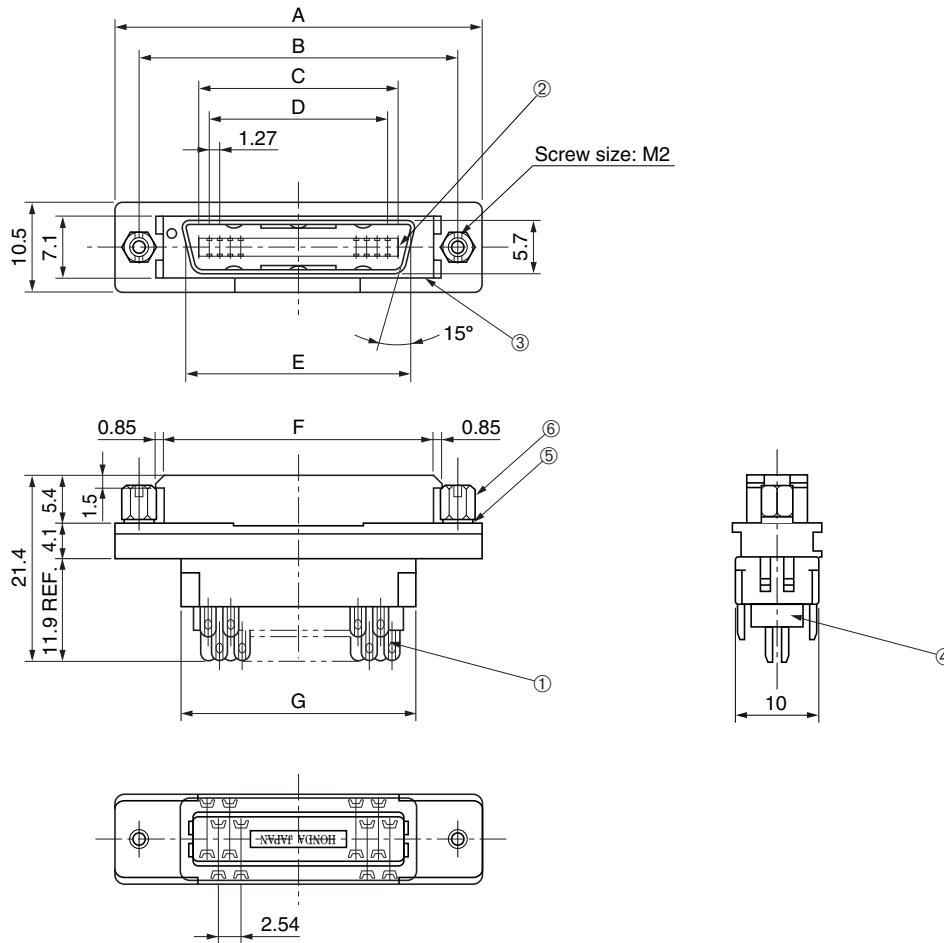


● Configuration of product Part No.

PCR-E () PMRS- SL+

① ② ③ ④

- ① Series name
- ② No. of contacts: 20 or 28
- ③ Type of connector: Panel mount type, male
Outside diameter of wire is 2.2 mm MAX.
- ④ With screw locks



● Components

| | |
|---|----------------|
| ① | Contacts |
| ② | Insulator |
| ③ | Shell |
| ④ | Bushing |
| ⑤ | Spring washers |
| ⑥ | Screw locks |

● Dimensions

| Part No. | A | B | C | D | E | F | G |
|-----------------|-------|-------|-------|-------|-------|-------|-------|
| PCR-E20PMRS-SL+ | 33.40 | 27.40 | 13.20 | 11.43 | 16.45 | 21.60 | 19.40 |
| PCR-E28PMRS-SL+ | 38.48 | 32.48 | 18.28 | 16.51 | 21.53 | 26.68 | 24.45 |

Mating connectors: PCR series cable-side IDC type or soldering type female connector

Accessories: Dust-proof cap, PCS-E()C