

Cable-side soldering type female connector
PCR-E()FS+

For cable

Soldering

RoHS

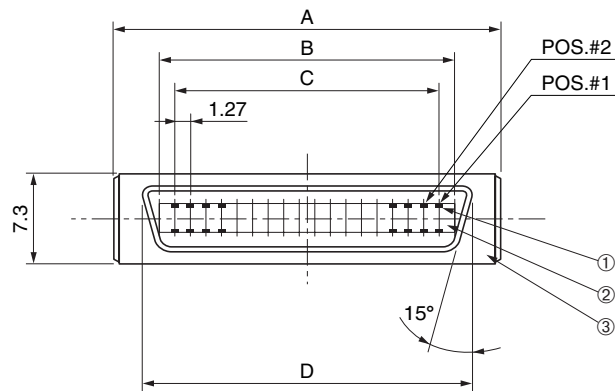


● Configuration of product Part No.

PCR-E () FS+

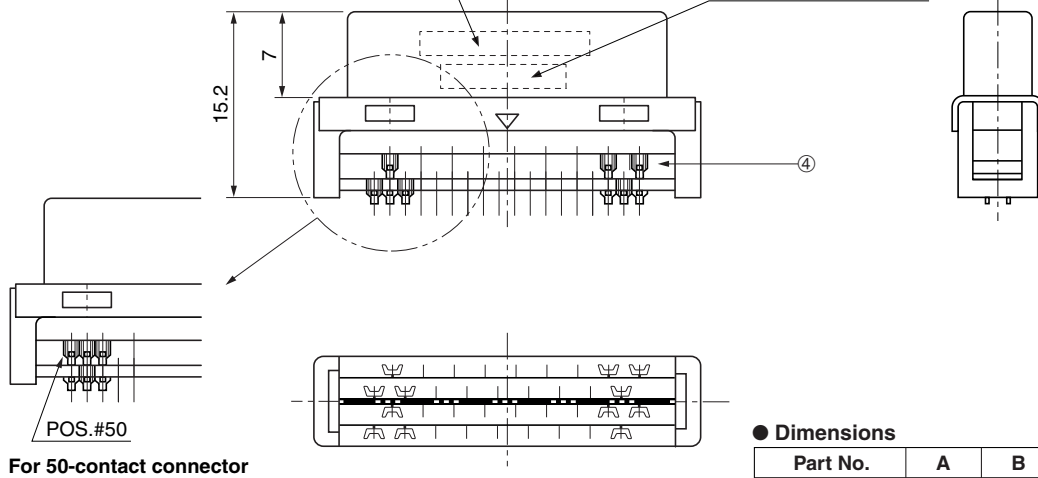
① ② ③

- ① Series name
- ② No. of contacts: 20, 28, 36, 50, 68 or 96
- ③ Type of connector
FS: Soldering type, female, AWG#20 MAX.



Part No. is marked on the opposite surface.

HONDA is marked on the opposite surface.



For 50-contact connector

● Dimensions

Part No.	A	B	C	D
PCR-E20FS+	21.65	13.35	11.43	16.25
PCR-E28FS+	26.70	18.43	16.51	21.33
PCR-E36FS+	31.80	23.51	21.59	26.41
PCR-E50FS+	40.70	32.40	30.48	35.30
PCR-E68FS+	52.10	43.83	41.91	46.73
PCR-E96FS+	69.90	61.61	56.69	64.51

● Components

①	Contacts
②	Insulator
③	Shell
④	Spacer

Mating connectors: PCR-E series PCB-side right-angle through hole type or SMT type connector

PCR-E series PCB-side straight through hole type or SMT type connector