

Straight through hole type male connector for PCB PCR-E()MD+

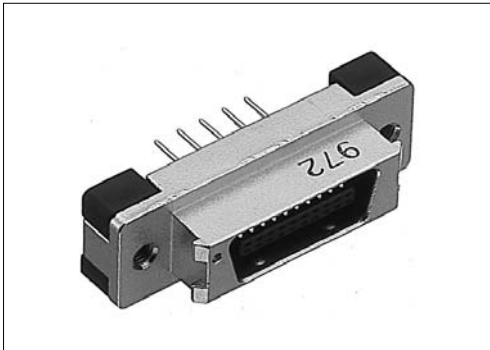
1.27 mm pitch connector

For PCB

Straight Through hole

EMI-filtered

RoHS

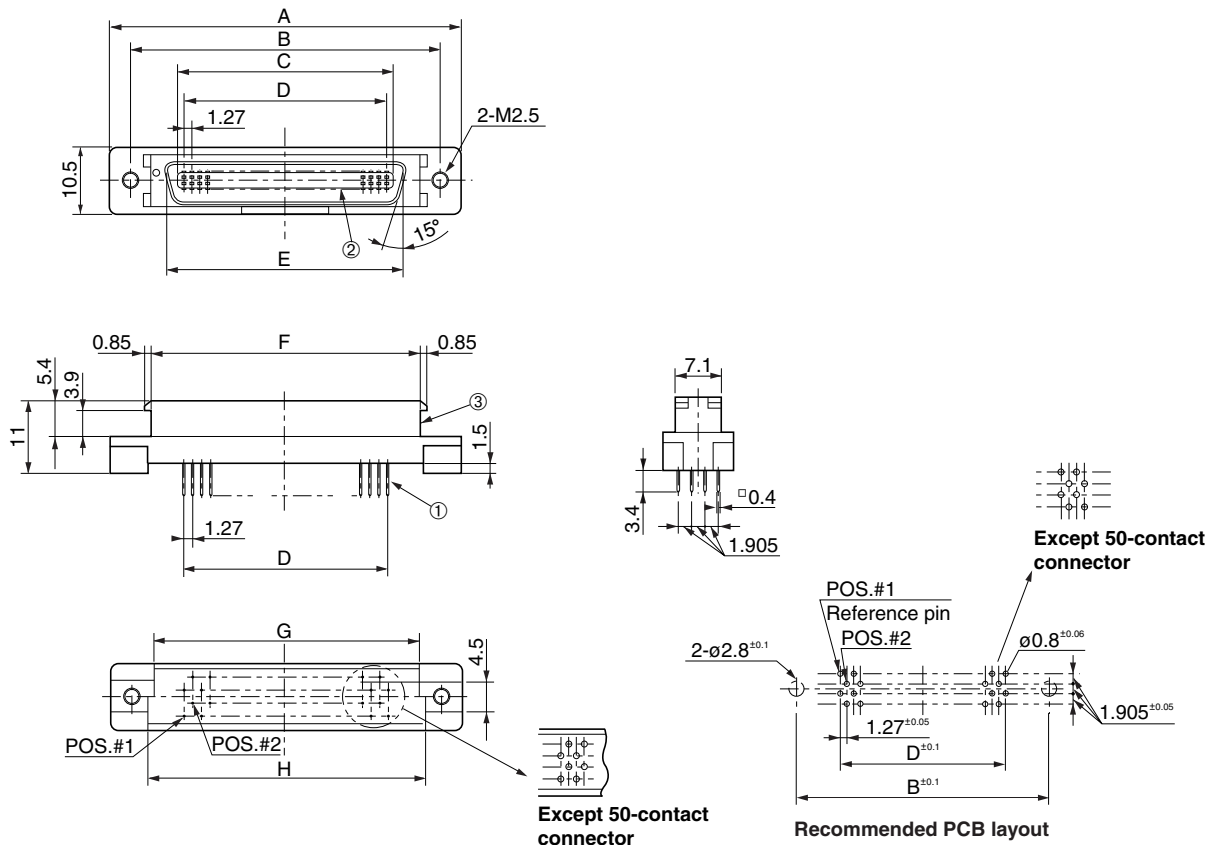


● Configuration of product Part No.

PCR-E () MD+

① ② ③

- ① Series name
- ② No. of contacts: 20, 28, 36, 50, 68, 80 or 96
- ③ Type of connector
MD: Straight through hole type, male



● Dimensions

| Part No. | A | B | C | D | E | F | G | H |
|------------|-------|-------|-------|-------|-------|-------|-------|-------|
| PCR-E20MD+ | 33.40 | 27.40 | 13.20 | 11.43 | 16.45 | 21.60 | 20.43 | 22.43 |
| PCR-E28MD+ | 38.48 | 32.48 | 18.28 | 16.51 | 21.53 | 26.68 | 25.51 | 27.51 |
| PCR-E36MD+ | 43.56 | 37.56 | 23.36 | 21.59 | 26.61 | 31.76 | 30.59 | 32.59 |
| PCR-E50MD+ | 52.45 | 46.45 | 32.25 | 30.48 | 35.50 | 40.65 | 39.48 | 41.48 |
| PCR-E68MD+ | 63.88 | 57.88 | 43.68 | 41.91 | 46.93 | 52.08 | 50.91 | 52.91 |
| PCR-E80MD+ | 71.50 | 65.50 | 51.30 | 49.53 | 54.55 | 59.70 | 58.53 | 60.53 |
| PCR-E96MD+ | 81.66 | 75.66 | 61.46 | 59.69 | 64.71 | 69.86 | 68.69 | 70.69 |

● Components

| | |
|---|-----------|
| ① | Contacts |
| ② | Insulator |
| ③ | Shell |

Mating connectors: PCR series cable-side IDC type female connector

PCR series cable-side soldering type female connector

Accessories: Dust-proof cap, PCS-E()C