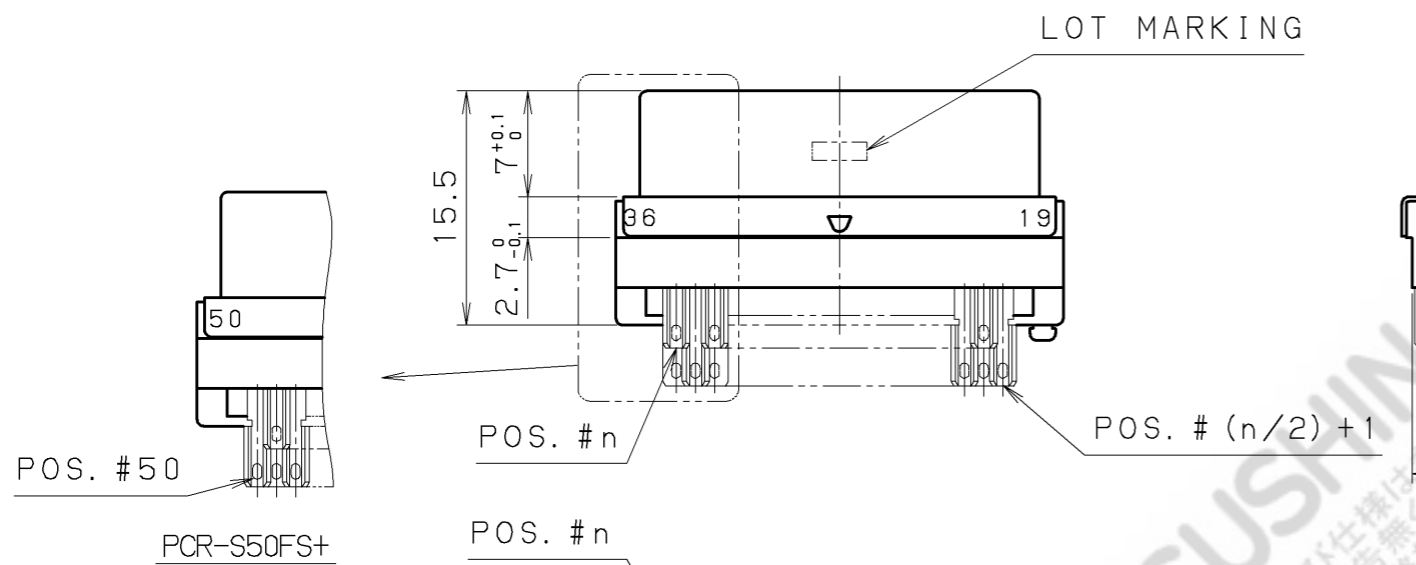
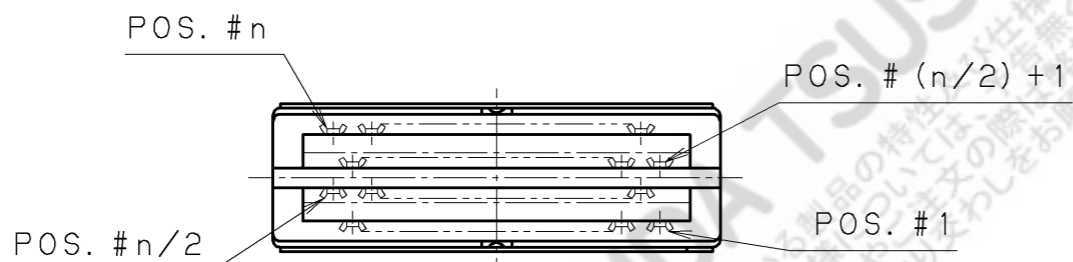


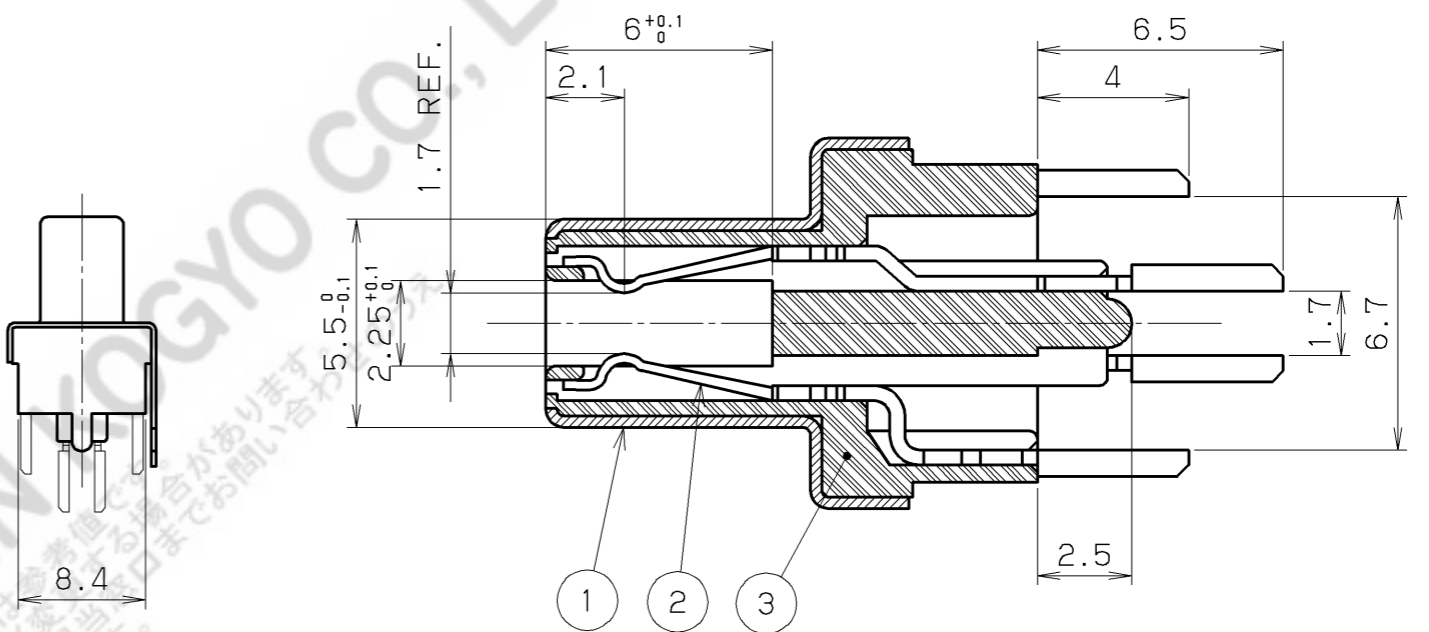
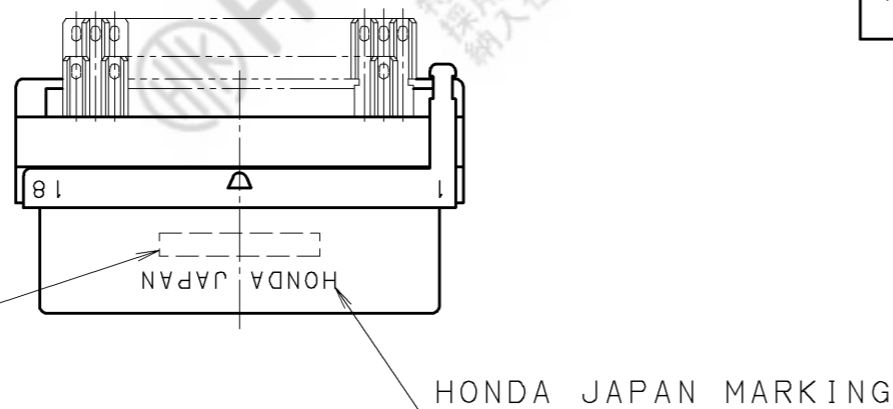
PART No.	n	A	B	C	D	IDENTIFICATION MARKING
PCR-S20FS+	20	19.40	13.35	1.27x9=11.43	16.25	PCR-S20FS
PCR-S28FS+	28	24.48	18.43	1.27x13=16.51	21.33	PCR-S28FS
PCR-S36FS+	36	29.56	23.51	1.27x17=21.59	26.41	PCR-S36FS
PCR-S50FS+	50	38.45	32.40	1.27x24=30.48	35.30	PCR-S50FS
PCR-S80FS+	80	57.50	51.45	1.27x39=49.53	54.35	PCR-S80FS



PCR-S50FS+



MARKING
(IDENTIFICATION)



CONTACT DETAIL (5/1)

NOTE 1. CONTACT PLATING
CONTACT AREA: GOLD 0.2μm MIN.
TERMINATION AREA: GOLD
UNDERPLATING: NICKEL

RoHS COMPLIANT

△				3	INSULATOR	PPS	1	—	UL94V-0 BLACK	
△				2	CONTACT	PHOSPHOR BRONZE	n	SEE NOTE #1	—	
△				1	SHELL	STEEL	1	NICKEL	—	
LTR.	DATE	BY	REV.	DESCRIP	No.	PART NAME	MATERIAL	QTY	FINISH	NOTE
	DATE		SCALE		UNIT	3RD. A. P	HONDA TSUSHIN KOGYO CO., LTD.			
	MAR.31.2004		2/1		mm (INCH)					
	APP. DATE&REV.									
DR.	DE.	CHK.	CHK.	APP.	NAME		1.27mm SPACING (RoHS)			
T. KAWANO	T. KAWANO	T. SOGO	T. SATO	S. FURUSAWA	FEMALE CONNECTOR FOR SOLDER TYPE		REV.			
PART NO.						PCR-S () FS+				