

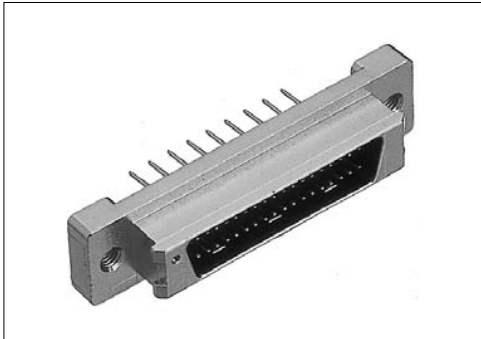
Straight through hole type male connector for PCB PCS-E()MD+

1.27 mm pitch connector

For PCB

Straight Through hole

RoHS

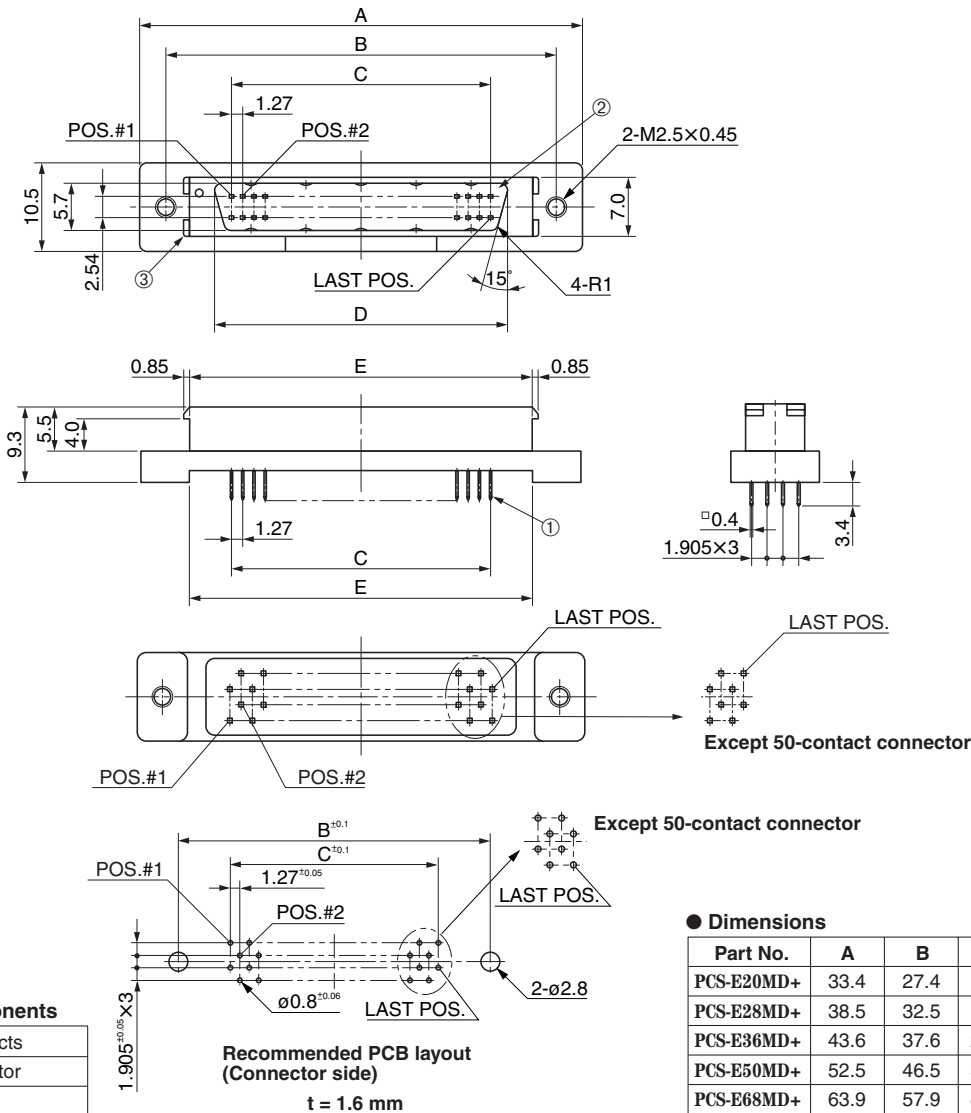


● Configuration of product Part No.

PCS-E () MD+

① ② ③

- ① Series name
- ② No. of contacts: 20, 28, 36, 50 or 68
- ③ Type of connector
MD: Straight through hole type, male



Mating connectors: PCS-E series cable-side IDC type female connector

PCS-E series cable-side soldering type female connector

Accessories: Dust-proof cap, PCS-()C()