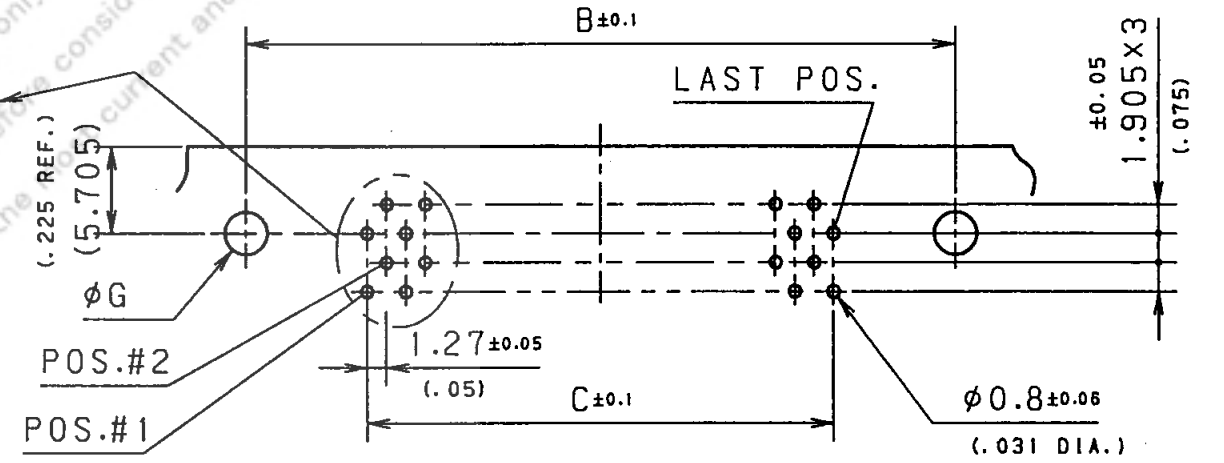
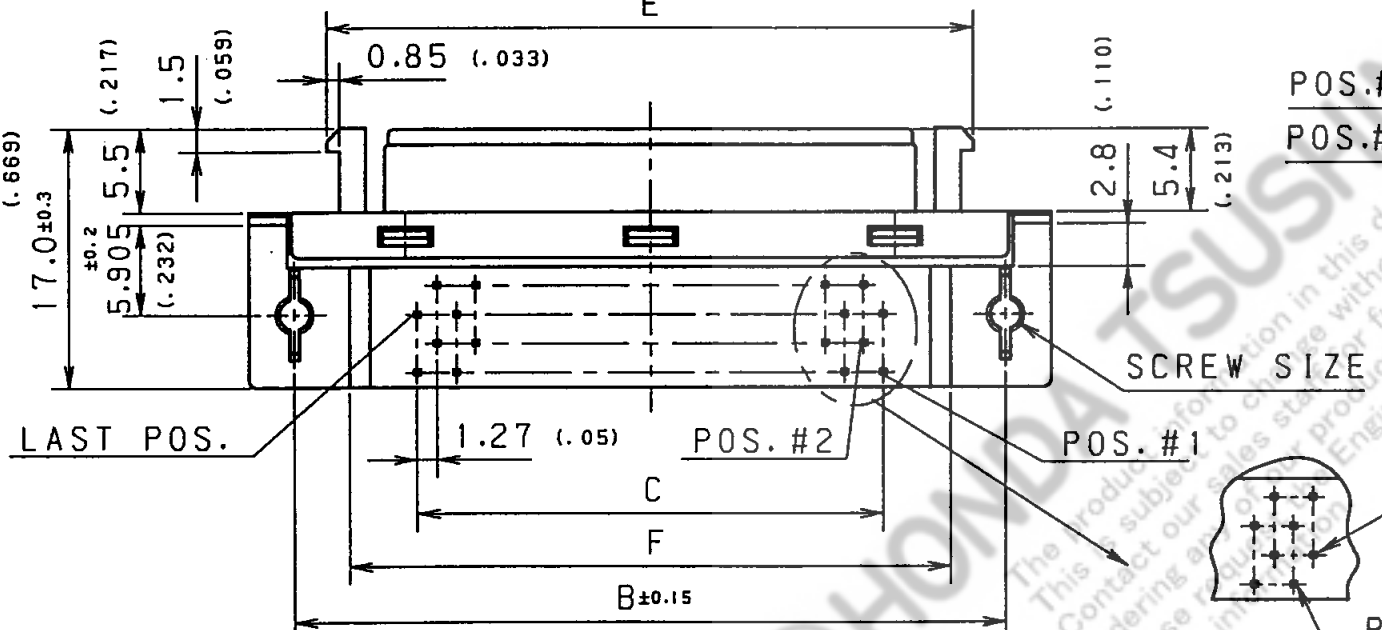
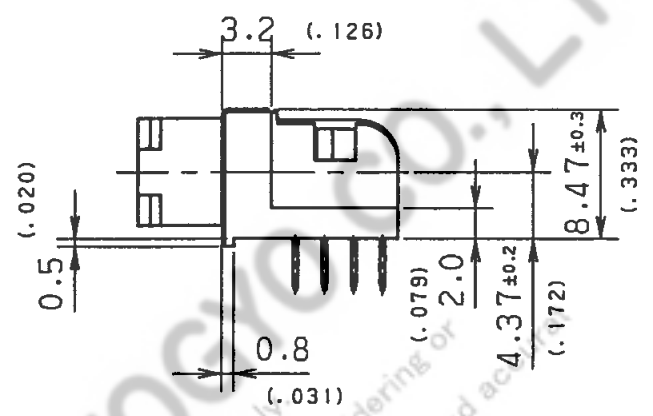
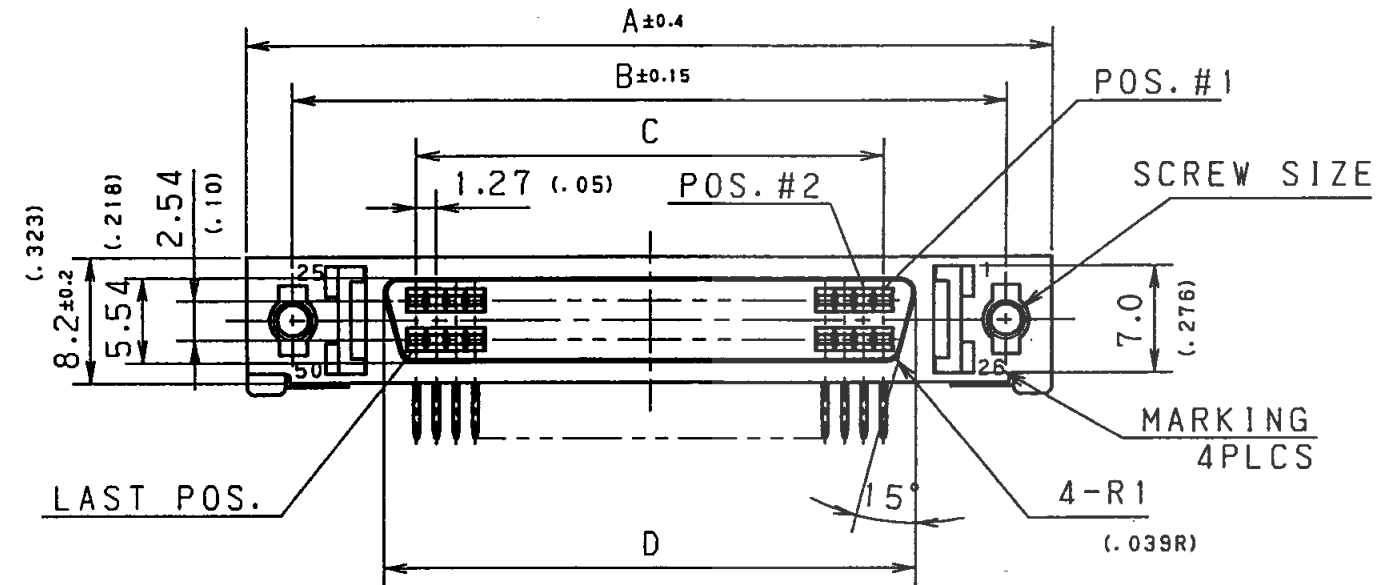
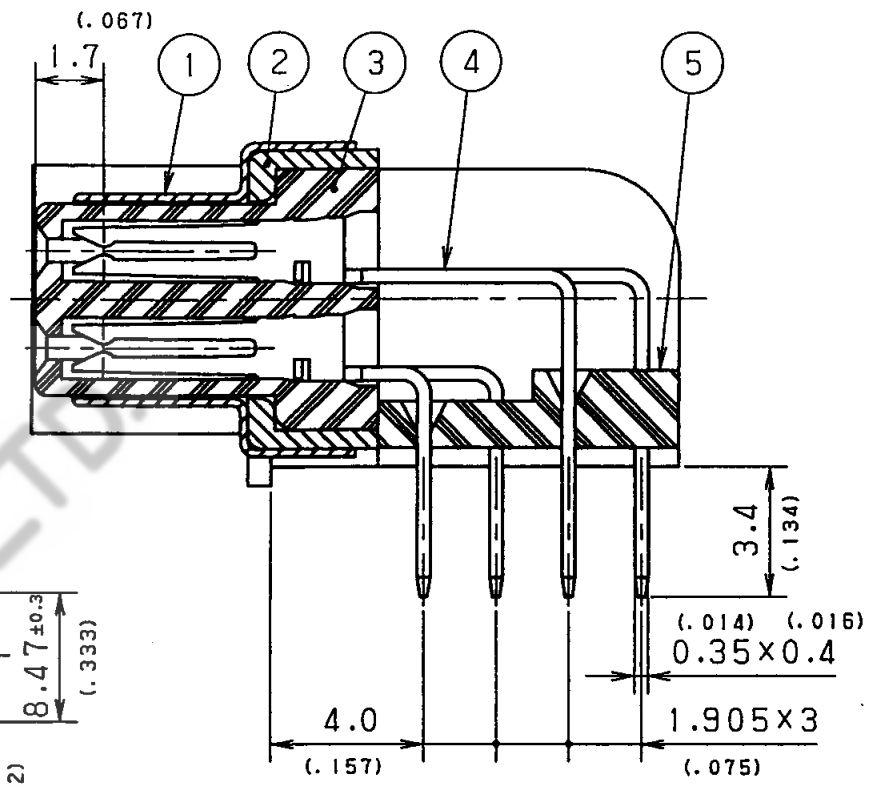


NOTE
 1. CONTACT FINISH
 GOLD (0.20μm) ON MATING AREA,
 Δ GOLD (0.05μm) ~~FIN/LEAD~~ ON TERMINATION AREA,
 ALL OVER NICKEL.



PCS-XE () SLFDU2+	#2-56UNC	φ2.5 (.098 DIA.)	PART NO.	PCS-XE50SLFDU2+	68 POS.			
PCS-XE () SLFDU+	#4-40UNC	φ3.05 (.120 DIA.)						
PCS-XE () SLFD+	M2.5x0.45	φ2.8 (.110 DIA.)						
PART NO.	SCREW SIZE	φG						
PCS-XE68SLFD ()	68	63.9 (2.516)	57.9 (2.280)	1.27x(34-1)=41.91 (.05) (1.65)	46.13 (1.816)	53.72 (2.115)	50.71 (1.996)	1.34, 35, 68
PCS-XE50SLFD ()	50	52.5 (2.067)	46.5 (1.831)	1.27x(25-1)=30.48 (.05) (1.20)	34.70 (1.366)	42.29 (1.665)	39.28 (1.548)	1.25, 26, 50
PCS-XE26SLFD ()	26	37.2 (1.465)	31.2 (1.228)	1.27x(13-1)=15.24 (.05) (.60)	19.46 (.766)	27.05 (1.065)	24.05 (.947)	1.13, 14, 26
PART NO.	NO. OF POS.	A	B	C	D	E	F	MARKING

5	BRACKET	PBT (GF)	1		UL94V-0 BLACK
4	CONTACT	PHOSPHOR BRONZE	NO. OF POS.	NOTE#1	
3	INSULATOR	PBT (GF)	1		UL94V-0 BLACK
2	SHELL II	ZINC ALLOY	1	NICKEL PLATING	
1	SHELL I	STEEL	1	NICKEL PLATING	
2004 03/31	T.K	RoHS			
年月日 DATE	尺度 SCALE	単位 UNIT	3角法	本多通信工業株式会社 HONDA TSUSHIN KOGYO CO. LTD	
5 (1994)	2/1	mm (INCH)	3RD. A.P	名称 NAME	PCS-XE TYPE FEMALE CONNECTOR (SCSI-II)
製図 DR	設計 DE	検図 CHK.	検図 CHK.	承認 APP.	製番 PART NO.
T. Kawano	Ida	K. Hama			PCS-XE () SLFD ()
					REV. A