

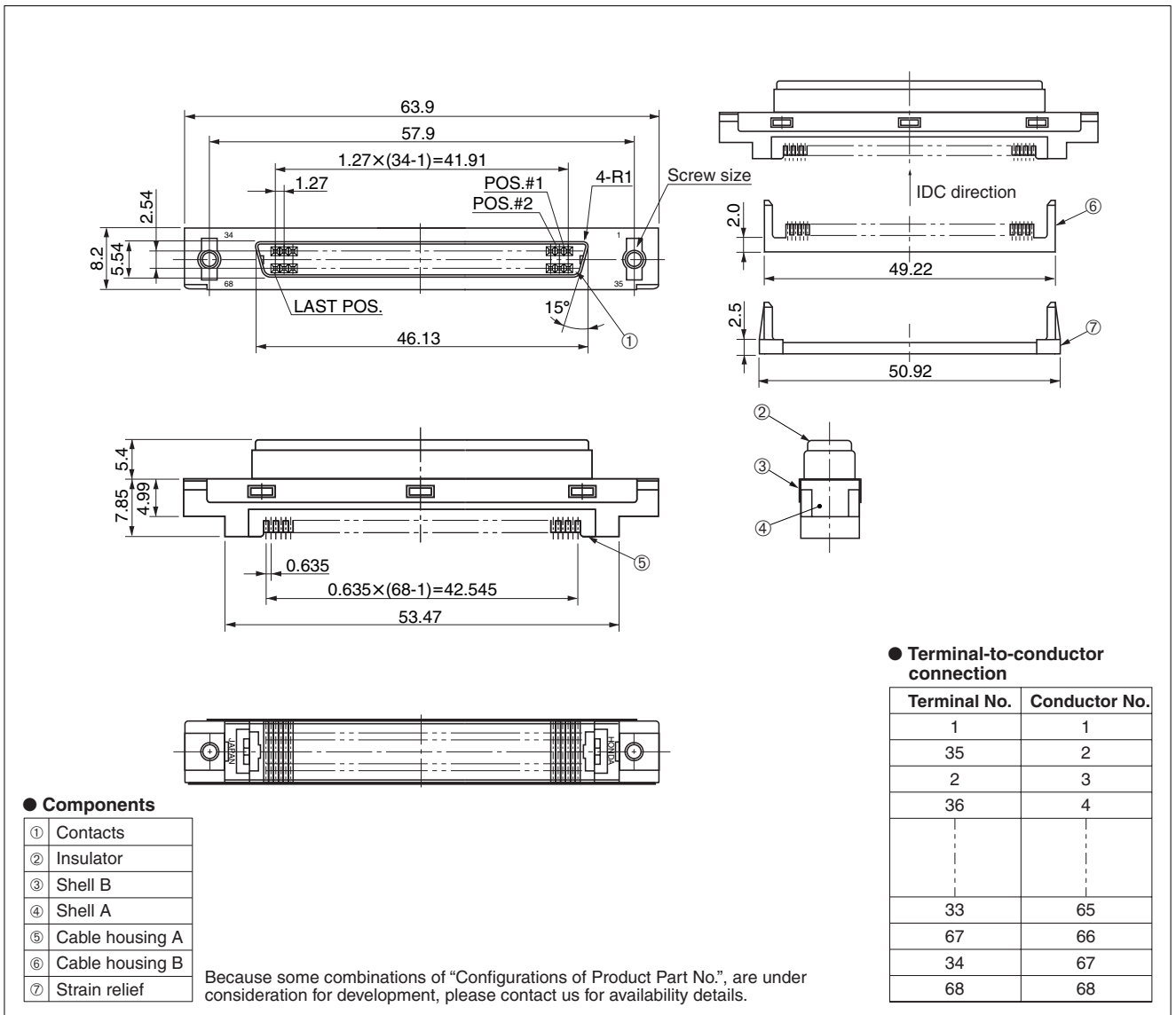
IDC type female connector for panel
PCS-XED68()FAUN()+



● Configuration of product Part No.

PCS-XED 68 () F A U N ()+

- | | |
|-----------------------------------|---------------------------------|
| ① Series name | ⑥ Screw size |
| ② No. of contacts: 68 | U: #4-40UNC |
| ③ Strain relief | ⑦ Lock type |
| Blank: Not provided | N: Screw lock |
| R : Provided | ⑧ Contact plating |
| ④ Type of contact | Blank: Min. 0.2 μm Gold plating |
| F: Female | G1 : Min. 0.76 μm Gold plating |
| ⑤ Cable size | |
| A: AWG#30(7 / 0.1) For flat cable | |



Mating connectors: PCS-XE series IDC type male connector for cable

Required tools: Locator tool, MLPT-0004A for 68 contacts or MLPT-0004B for 50 contacts