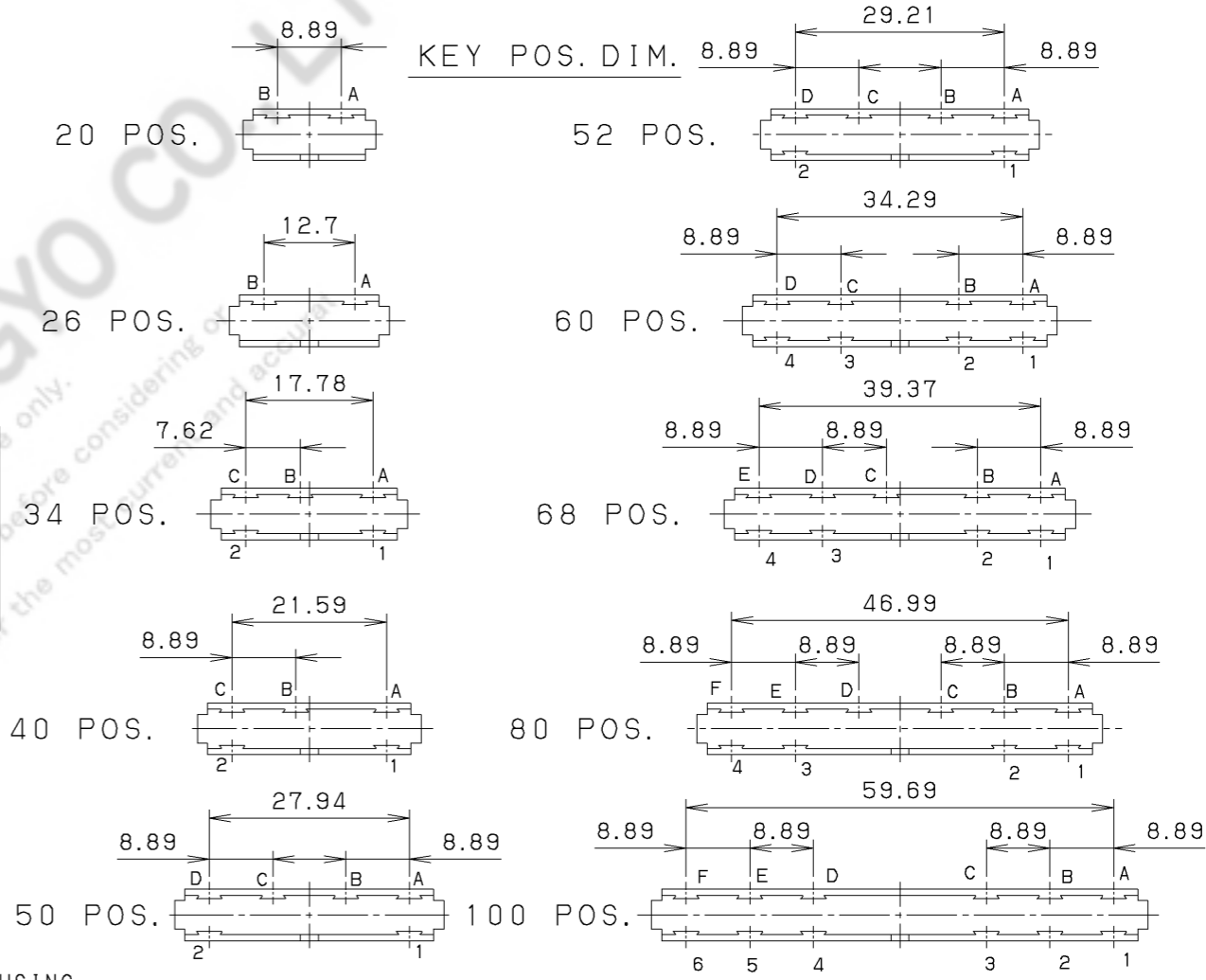
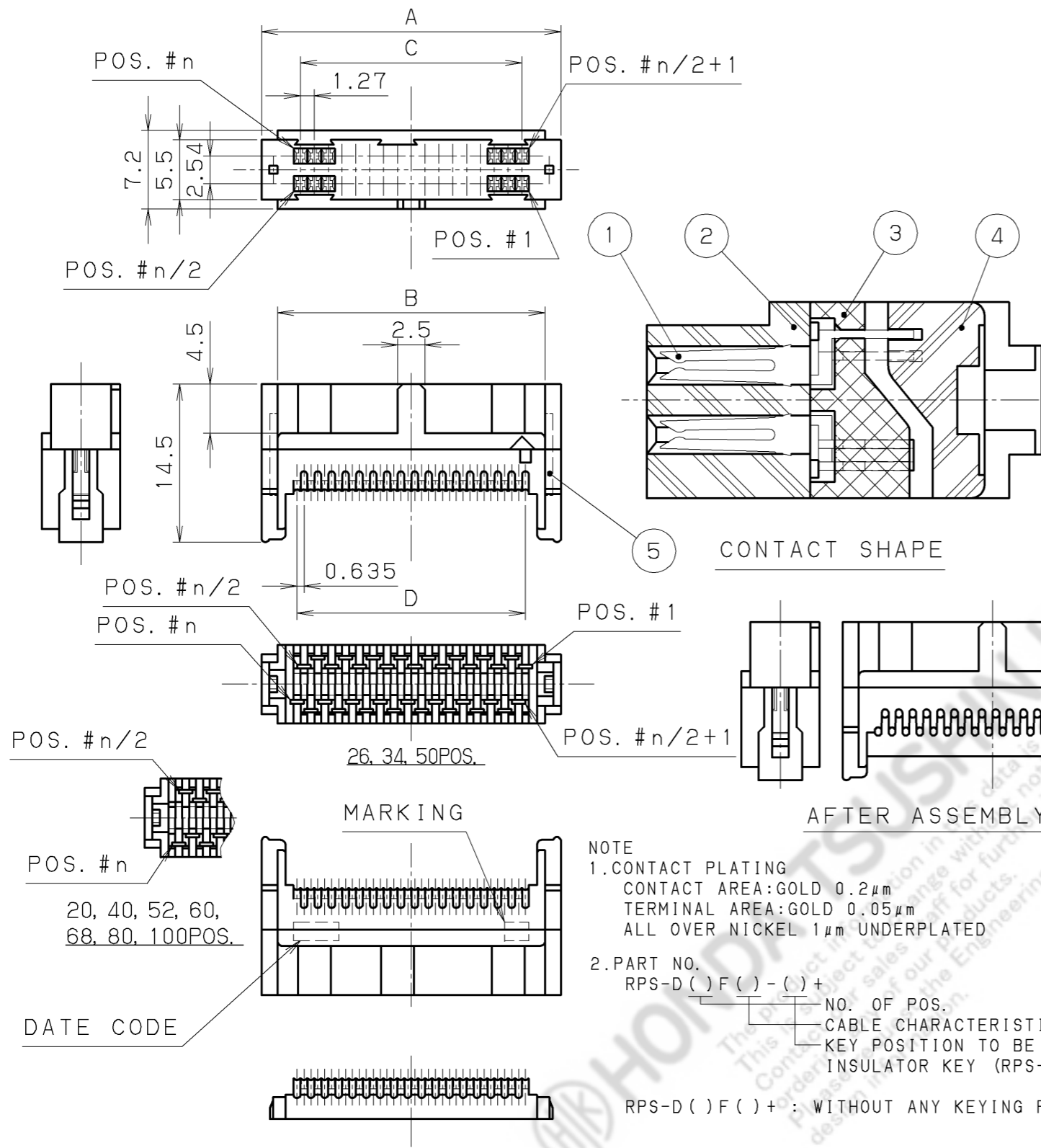


No. OF CONTACT	PART No.	A	B	C	D	STANDARD KEY POSITION
20	RPS-D20F()-()+	18.57	15.67	1.27x9=11.43	0.635x19=12.065	A, B, AB
26	RPS-D26F()-()+	22.38	19.48	1.27x12=15.24	0.635x25=15.875	A, B, AB
34	RPS-D34F()-()+	27.46	24.56	1.27x16=20.32	0.635x33=20.955	1C, 2A, AC
40	RPS-D40F()-()+	31.27	28.37	1.27x19=24.13	0.635x39=24.765	1C, 2A, AC
50	RPS-D50F()-()+	37.62	34.72	1.27x24=30.48	0.635x49=31.115	1D, 2A, AD
52	RPS-D52F()-()+	38.89	35.99	1.27x25=31.75	0.635x51=32.385	1D, 2A, AD
60	RPS-D60F()-()+	43.97	41.07	1.27x29=36.83	0.635x59=37.465	1D, 4A, AD
68	RPS-D68F()-()+	49.05	46.15	1.27x33=41.91	0.635x67=42.545	1E, 4A, AE
80	RPS-D80F()-()+	56.67	53.77	1.27x39=49.53	0.635x79=50.165	1F, 4A, AF
100	RPS-D100F()-()+	69.37	66.47	1.27x49=62.23	0.635x99=62.865	1F, 6A, AF



NOTE
 1. CONTACT PLATING
 CONTACT AREA: GOLD 0.2μm
 TERMINAL AREA: GOLD 0.05μm
 ALL OVER NICKEL 1μm UNDERPLATED
 2. PART NO.
 RPS-D()F()-()+
 NO. OF POS.
 CABLE CHARACTERISTICS
 KEY POSITION TO BE PLUGGED USING
 INSULATOR KEY (RPS-PK)
 RPS-D()F()+ : WITHOUT ANY KEYING FEATURES.

CABLE CHARACTERISTICS

PART NO.	CABLE CHARACTERISTICS	MARKING
RPS-D()F-()+	.025" SPACING FLAT CABLE #32AWG (7/0.08) THICKNESS:0.6mm	—
RPS-D()FA-()+	.025" SPACING FLAT CABLE #30AWG (1/0.254) THICKNESS:0.6mm	A
RPS-D()FB-()+	.025" SPACING FLAT CABLE #30AWG (7/0.102) THICKNESS:0.6mm	B

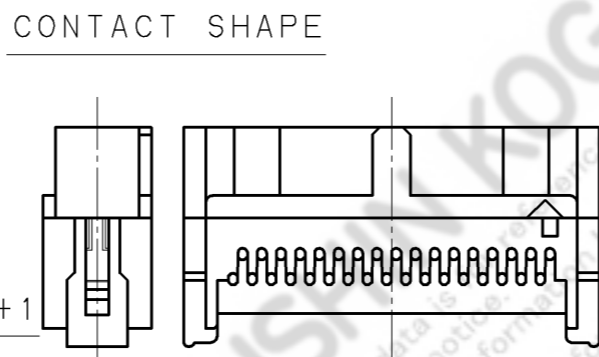
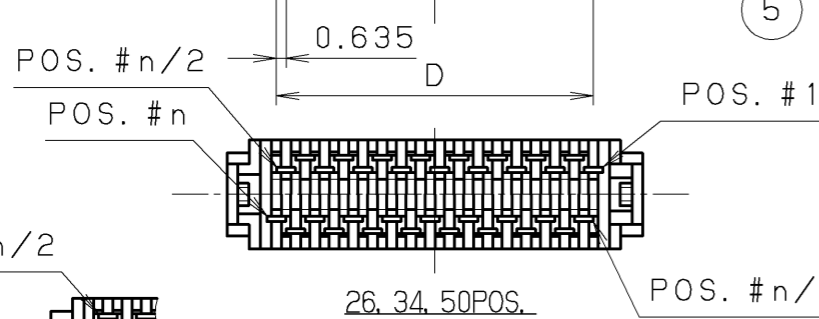
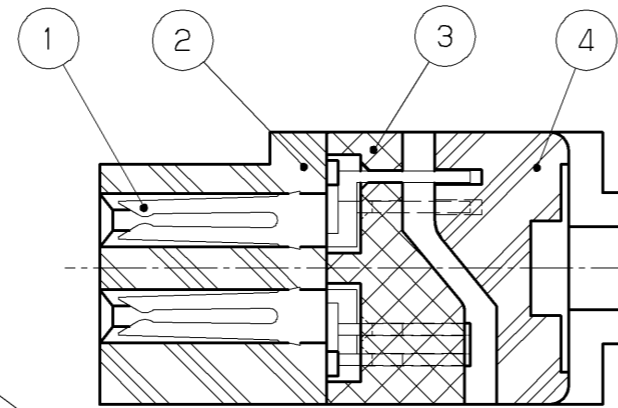
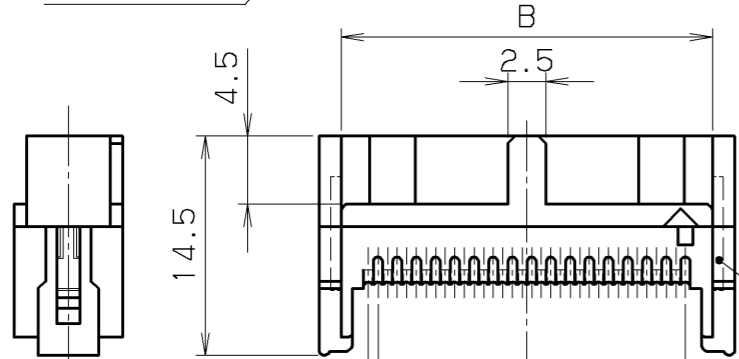
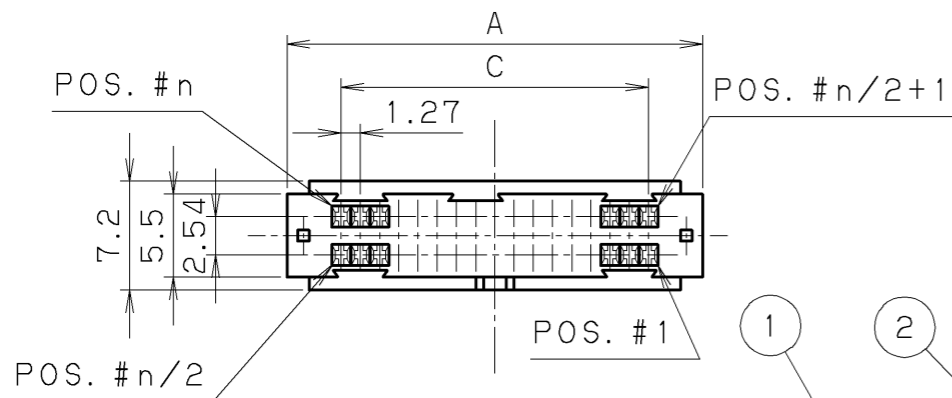


INSULATOR KEY (RPS-PK)

REV.	DATE	BY	REV. DESCRIPT	No.	PART NAME	MATERIAL	QTY	FINISH	NOTE
3					LOCK PIN	BRONZE	2	NICKEL PLATING	
4					CABLE COVER	PBT RESIN (GF)	1		UL94V-0 BLACK COLOR
3					SPACER	PBT RESIN (GF)	1		UL94V-0 BLACK COLOR
2					INSULATOR	PBT RESIN (GF)	1		UL94V-0 BLACK COLOR
1					CONTACT	PHOSPHOR BRONZE	n	SEE NOTE #1	

年月日 DATE	尺度 SCALE	単位 UNIT	3角法	本多通信工業株式会社		
Mar.31 (2004)	2/1	mm (INCH)	3RD. A. P	HONDA TSUSHIN KOGYO CO., LTD.		
製 國 DR.	設 計 DE.	検 査 CHK.	承 認 APP.	名 称 NAME	RPS-D TYPE FEMALE CONNECTOR FOR .025" SPACING FLAT CABLE (RoHS)	
Y. OHKI	Y. OHKI	T. SOGO	K. HOMMA	製 番 PART NO.	RPS-D()F()-()+	REV

No. OF CONTACT	PART No.	A	B	C	D	STANDARD KEY POSITION
20	RPS-D20F()G1-()+	18.57	15.67	1.27x9=11.43	0.635x19=12.065	A, B, AB
26	RPS-D26F()G1-()+	22.38	19.48	1.27x12=15.24	0.635x25=15.875	A, B, AB
34	RPS-D34F()G1-()+	27.46	24.56	1.27x16=20.32	0.635x33=20.955	1C, 2A, AC
40	RPS-D40F()G1-()+	31.27	28.37	1.27x19=24.13	0.635x39=24.765	1C, 2A, AC
50	RPS-D50F()G1-()+	37.62	34.72	1.27x24=30.48	0.635x49=31.115	1D, 2A, AD
52	RPS-D52F()G1-()+	38.89	35.99	1.27x25=31.75	0.635x51=32.385	1D, 2A, AD
60	RPS-D60F()G1-()+	43.97	41.07	1.27x29=36.83	0.635x59=37.465	1D, 4A, AD
68	RPS-D68F()G1-()+	49.05	46.15	1.27x33=41.91	0.635x67=42.545	1E, 4A, AE
80	RPS-D80F()G1-()+	56.67	53.77	1.27x39=49.53	0.635x79=50.165	1F, 4A, AF
100	RPS-D100F()G1-()+	69.37	66.47	1.27x49=62.23	0.635x99=62.865	1F, 6A, AF



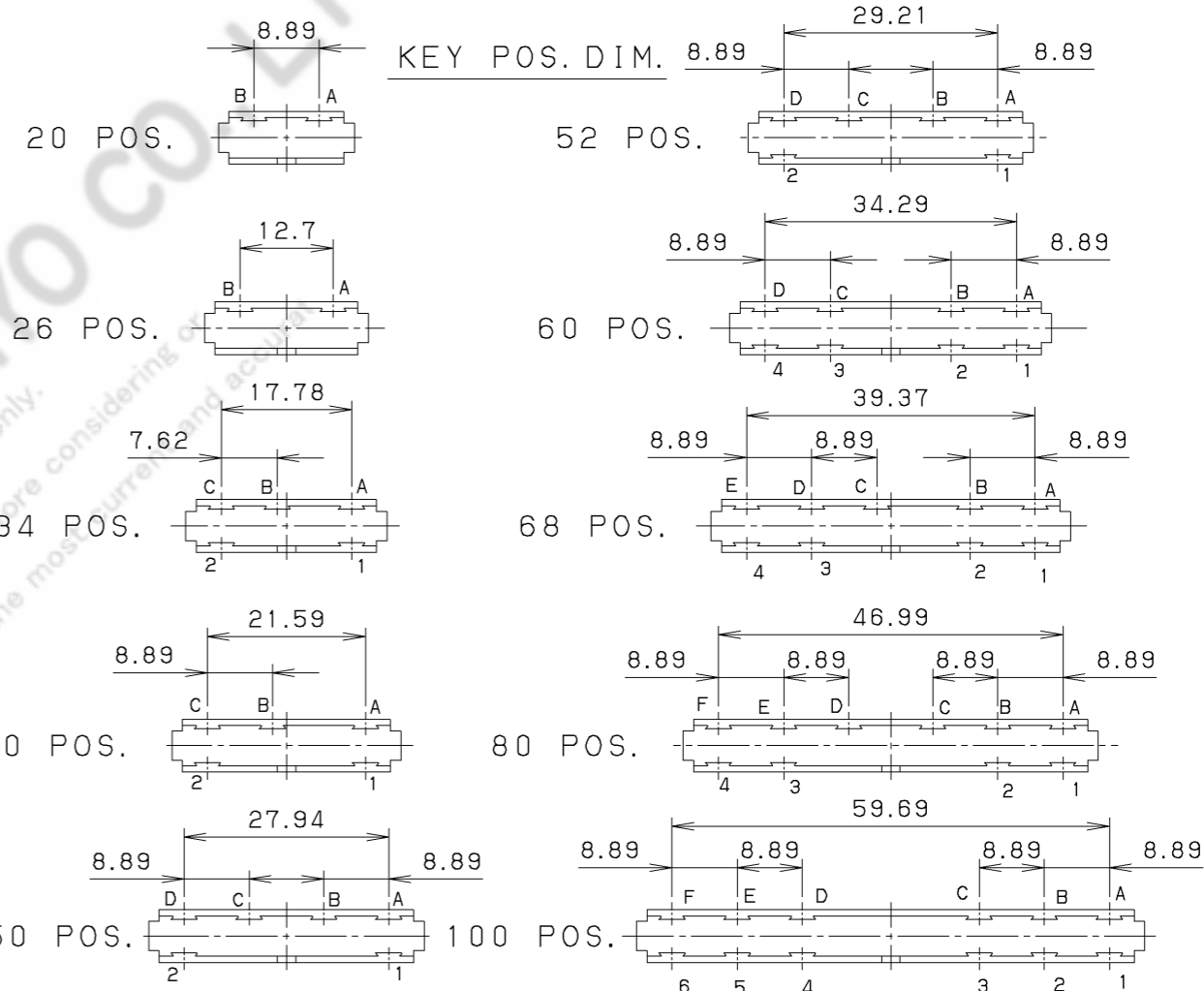
20, 40, 52, 60,
68, 80, 100POS.

DATE CODE

NOTE
1. CONTACT PLATING
CONTACT AREA: GOLD 0.76μm
TERMINAL AREA: GOLD 0.05μm
ALL OVER NICKEL 2~3.8μm UNDERPLATED

2. PART NO.
RPS-D()F()G1-()+
NO. OF POS.
CABLE CHARACTERISTICS
KEY POSITION TO BE PLUGGED USING
INSULATOR KEY (RPS-PK)

RPS-D()F()G1+ : WITHOUT ANY KEYING FEATURES.



CABLE CHARACTERISTICS

PART NO.	CABLE CHARACTERISTICS	MARKING
RPS-D()FG1-()+	.025" SPACING FLAT CABLE #32AWG (7/0.08) THICKNESS:0.6mm	—
RPS-D()FAG1-()+	.025" SPACING FLAT CABLE #30AWG (1/0.254) THICKNESS:0.6mm	A
RPS-D()FBG1-()+	.025" SPACING FLAT CABLE #30AWG (7/0.102) THICKNESS:0.6mm	B

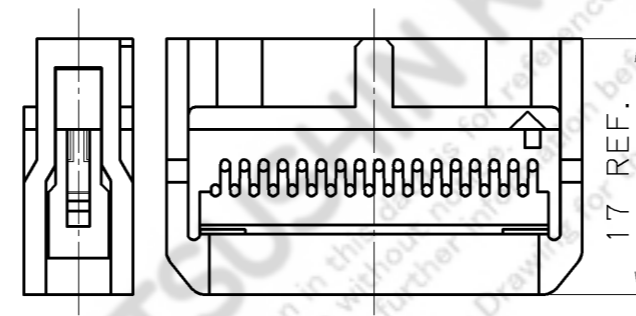
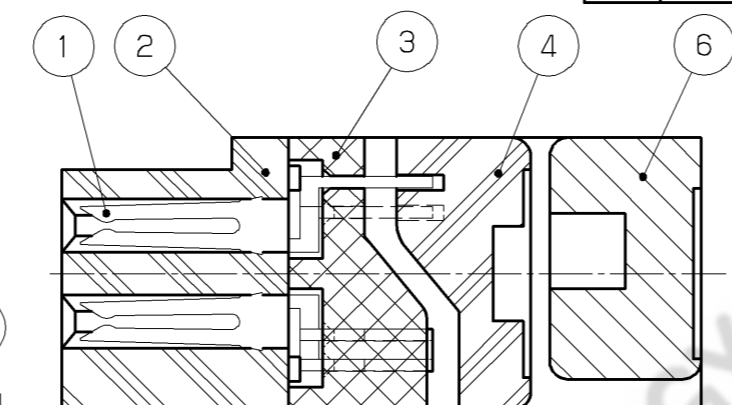
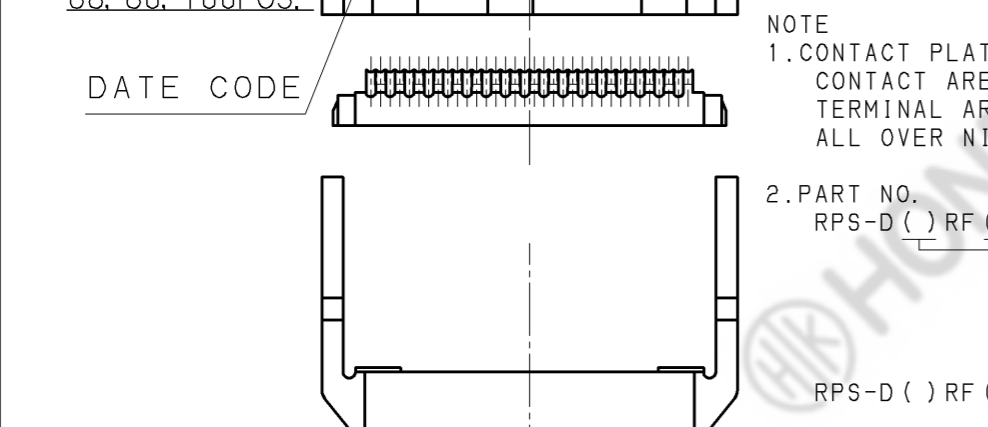
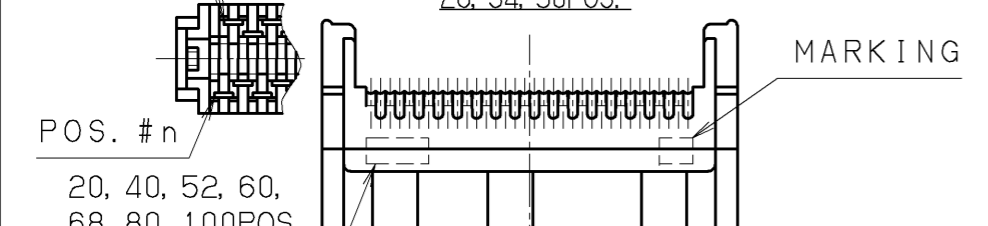
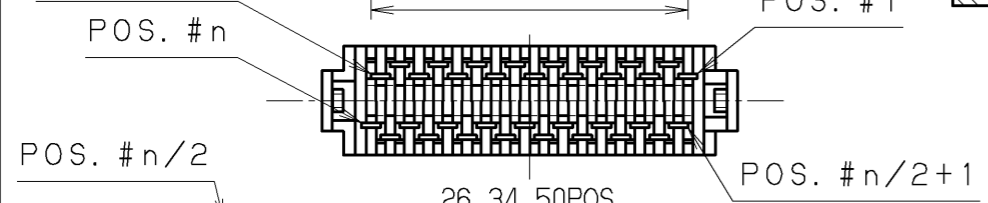
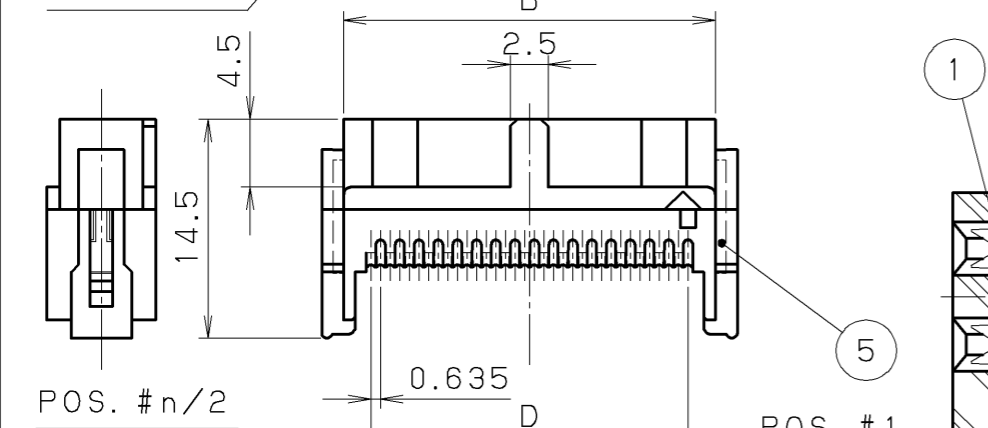
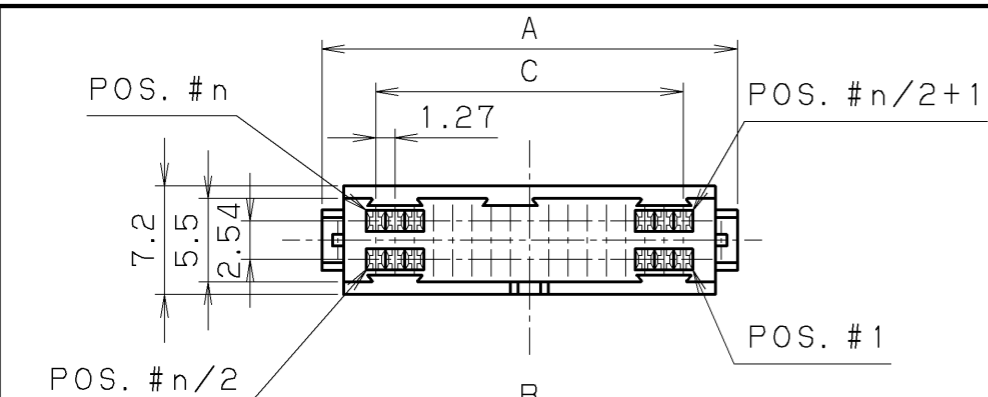


INSULATOR KEY
(RPS-PK)

QTY	DESCRIPTION	MATERIAL	QTY	FINISH	NOTE
5	LOCK PIN	BRONZE	2	NICKEL PLATING	—
4	CABLE COVER	PBT RESIN (GF)	1	—	UL94V-0 BLACK COLOR
3	SPACER	PBT RESIN (GF)	1	—	UL94V-0 BLACK COLOR
2	INSULATOR	PBT RESIN (GF)	1	—	UL94V-0 BLACK COLOR
1	CONTACT	PHOSPHOR BRONZE	n	SEE NOTE #1	—

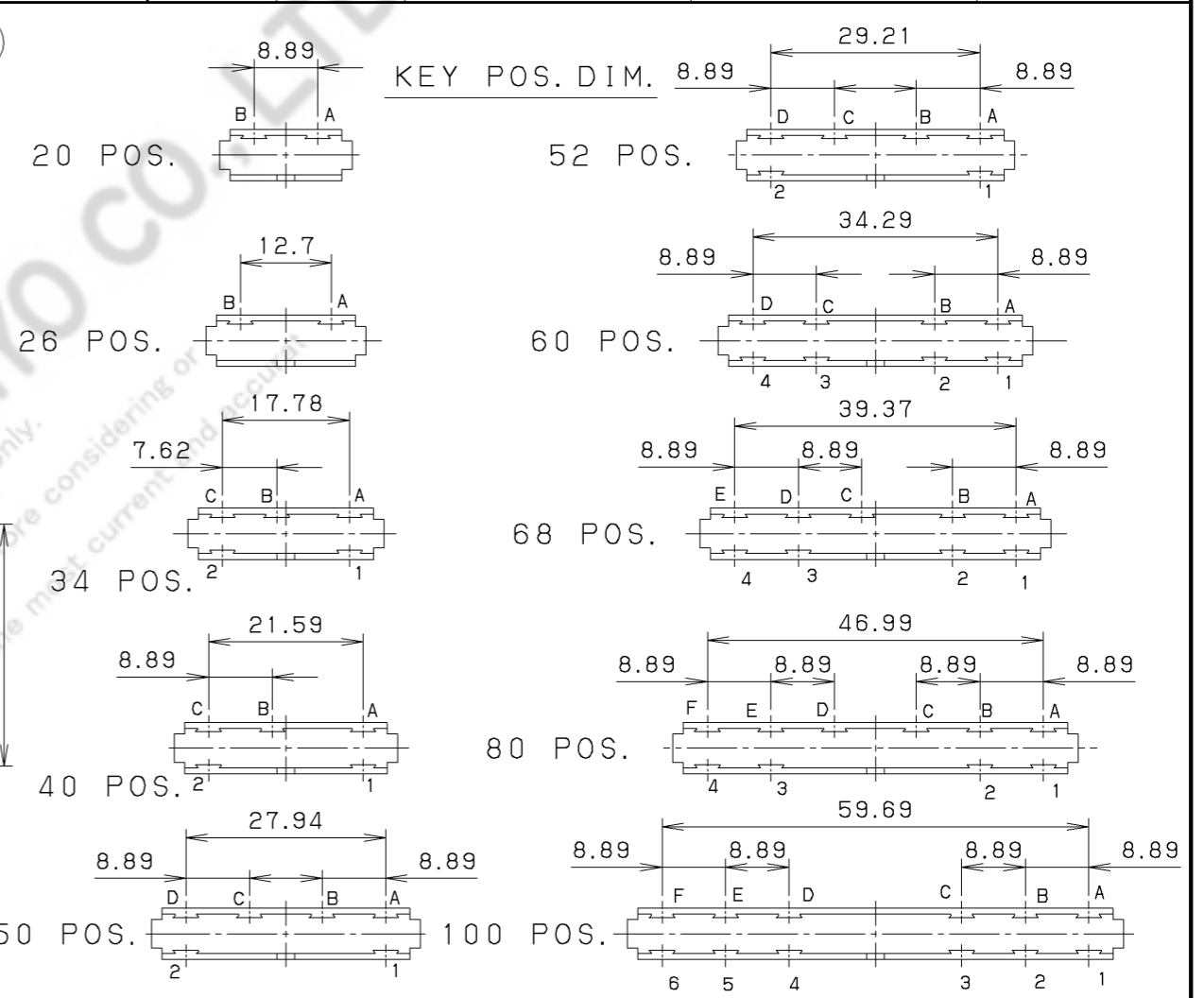
DATE	SCALE	UNIT	3角法	名称	材料	数量	处理	備考
Mar.31 (2003)	2/1	mm (INCH)	3RD. A. P	HONDA TSUSHIN KOGYO CO., LTD.				
DR. Y. OHKI	DE. Y. OHKI	CHK. T. SOGO	CHK. K. HOMMA	APP. S. FURUSAWA	名称	RPS-D TYPE FEMALE CONNECTOR FOR .025" SPACING FLAT CABLE (RoHS)	製番	RPS-D()F()G1-()+
					PART NO.		REV	

No. OF CONTACT	PART No.	A	B	C	D	STANDARD KEY POSITION
20	RPS-D20RF () - () +	18.57	15.67	1.27x9=11.43	0.635x19=12.065	A, B, AB
26	RPS-D26RF () - () +	22.38	19.48	1.27x12=15.24	0.635x25=15.875	A, B, AB
34	RPS-D34RF () - () +	27.46	24.56	1.27x16=20.32	0.635x33=20.955	1C, 2A, AC
40	RPS-D40RF () - () +	31.27	28.37	1.27x19=24.13	0.635x39=24.765	1C, 2A, AC
50	RPS-D50RF () - () +	37.62	34.72	1.27x24=30.48	0.635x49=31.115	1D, 2A, AD
52	RPS-D52RF () - () +	38.89	35.99	1.27x25=31.75	0.635x51=32.385	1D, 2A, AD
60	RPS-D60RF () - () +	43.97	41.07	1.27x29=36.83	0.635x59=37.465	1D, 4A, AD
68	RPS-D68RF () - () +	49.05	46.15	1.27x33=41.91	0.635x67=42.545	1E, 4A, AE
80	RPS-D80RF () - () +	56.67	53.77	1.27x39=49.53	0.635x79=50.165	1F, 4A, AF
100	RPS-D100RF () - () +	69.37	66.47	1.27x49=62.23	0.635x99=62.865	1F, 6A, AF



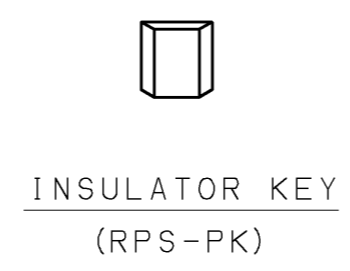
NOTE
 1. CONTACT PLATING
 CONTACT AREA: GOLD 0.2μm
 TERMINAL AREA: GOLD 0.05μm
 ALL OVER NICKEL 1μm UNDERPLATED

2. PART NO.
 RPS-D () RF () - () +
 NO. OF POS.
 CABLE CHARACTERISTICS
 KEY POSITION TO BE PLUGGED USING
 INSULATOR KEY (RPS-PK)
 RPS-D () RF () + : WITHOUT ANY KEYING FEATURES.



CABLE CHARACTERISTICS

PART NO.	CABLE CHARACTERISTICS	MARKING
RPS-D () RF - () +	.025" SPACING FLAT CABLE #32AWG (7/0.08) THICKNESS:0.6mm	—
RPS-D () RFA - () +	.025" SPACING FLAT CABLE #30AWG (1/0.254) THICKNESS:0.6mm	A
RPS-D () RFB - () +	.025" SPACING FLAT CABLE #30AWG (7/0.102) THICKNESS:0.6mm	B

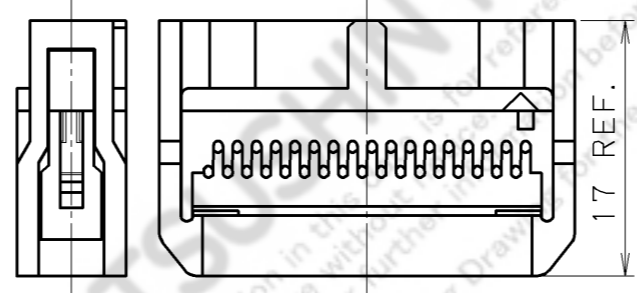
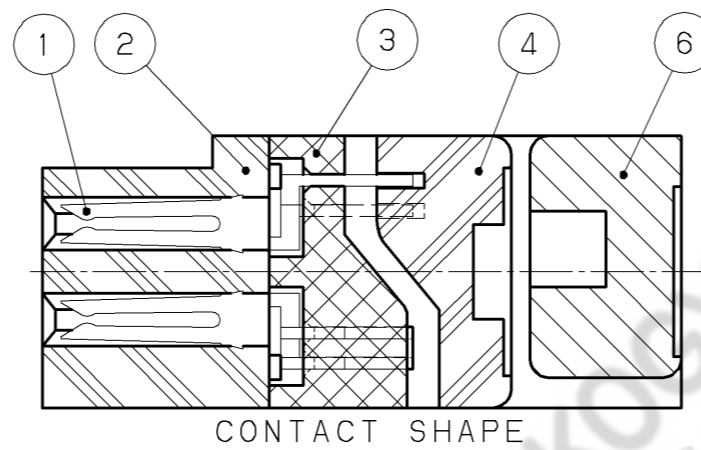
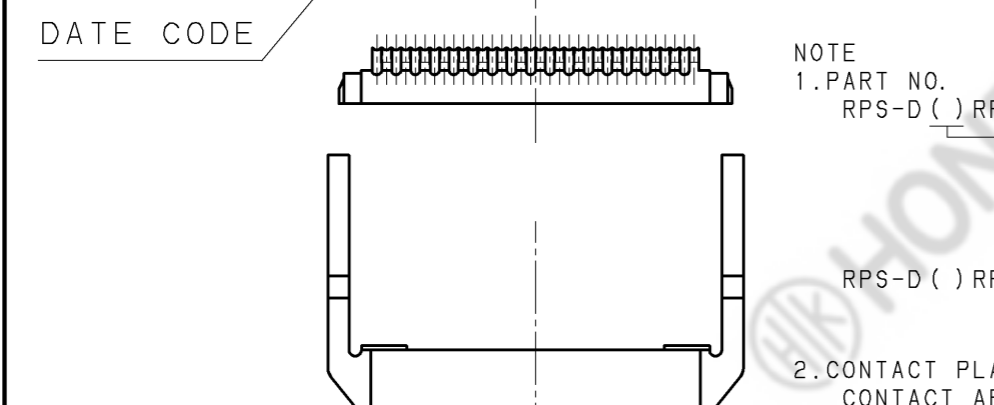
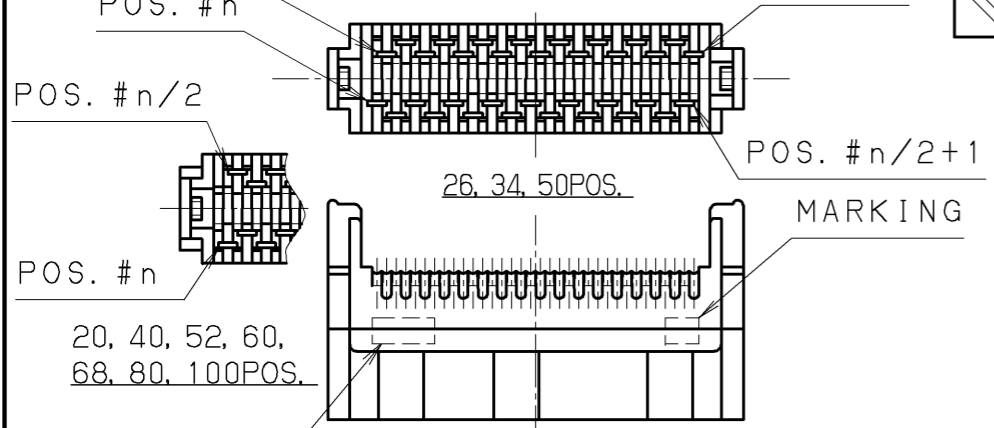
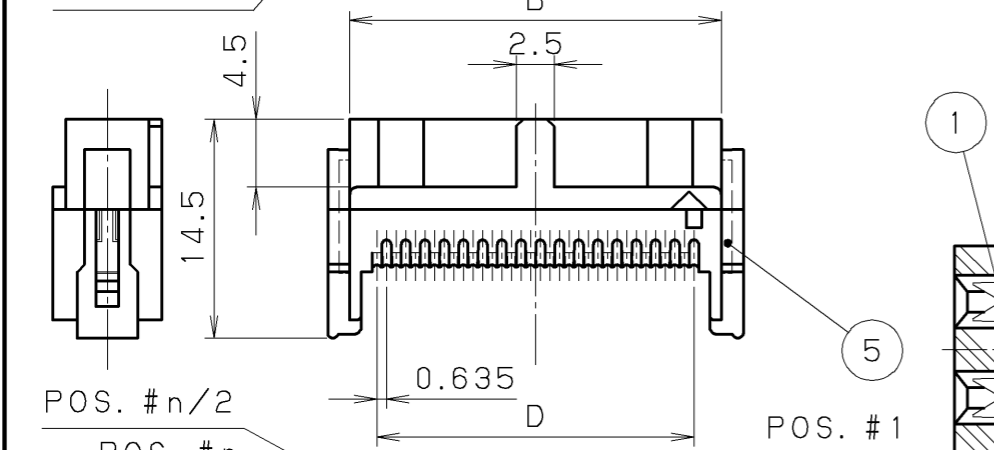
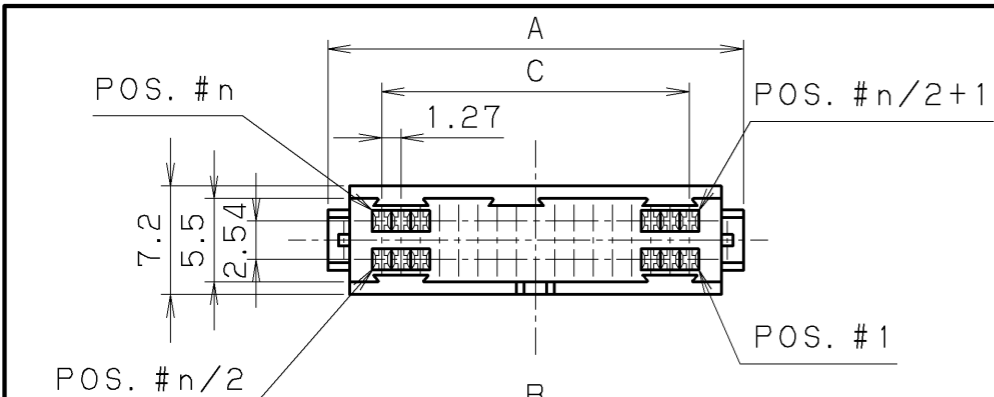


NO.	DESCRIPTION	MATERIAL	QTY	FINISH	NOTE
6	STRAIN RELIEF	PBT RESIN (GF)	1	—	UL94V-0 BLACK COLOR
5	LOCK PIN	BRONZE	2	NICKEL PLATING	—
4	CABLE COVER	PBT RESIN (GF)	1	—	UL94V-0 BLACK COLOR
3	SPACER	PBT RESIN (GF)	1	—	UL94V-0 BLACK COLOR
2	INSULATOR	PBT RESIN (GF)	1	—	UL94V-0 BLACK COLOR
1	CONTACT	PHOSPHOR BRONZE	n	SEE NOTE #1	—

改版 LTR.	年月日 DATE	変更者 BY	変更内容 REV. DESCRIPT	番号 No.	部品名称 PART NAME	材質 MATERIAL	個数 QTY	処理 FINISH	備考 NOTE
	Mar.31 (2004)		2/1		3RD. A. P				

年月日 DATE	尺度 SCALE	単位 UNIT	3角法	本多通信工業株式会社 HONDA TSUSHIN KOGYO CO., LTD.		
	2/1	mm (INCH)	3RD. A. P	製 名 稱	RPS-D TYPE FEMALE CONNECTOR FOR .025" SPACING FLAT CABLE (RoHS)	
				設 計	製 番	PART NO.
				検 査		
				承 認		
				DR.		
				DE.		
				CHK.		
				CHK.		
				APP.		
				Y. OHKI		
				Y. OHKI		
				T. SOGO		
				K. HOMMA		
				S. FURUSAWA		

No. OF CONTACT	PART No.	A	B	C	D	STANDARD KEY POSITION
20	RPS-D20RF () G1- () +	18.57	15.67	1.27x9=11.43	0.635x19=12.065	A, B, AB
26	RPS-D26RF () G1- () +	22.38	19.48	1.27x12=15.24	0.635x25=15.875	A, B, AB
34	RPS-D34RF () G1- () +	27.46	24.56	1.27x16=20.32	0.635x33=20.955	1C, 2A, AC
40	RPS-D40RF () G1- () +	31.27	28.37	1.27x19=24.13	0.635x39=24.765	1C, 2A, AC
50	RPS-D50RF () G1- () +	37.62	34.72	1.27x24=30.48	0.635x49=31.115	1D, 2A, AD
52	RPS-D52RF () G1- () +	38.89	35.99	1.27x25=31.75	0.635x51=32.385	1D, 2A, AD
60	RPS-D60RF () G1- () +	43.97	41.07	1.27x29=36.83	0.635x59=37.465	1D, 4A, AD
68	RPS-D68RF () G1- () +	49.05	46.15	1.27x33=41.91	0.635x67=42.545	1E, 4A, AE
80	RPS-D80RF () G1- () +	56.67	53.77	1.27x39=49.53	0.635x79=50.165	1F, 4A, AF
100	RPS-D100RF () G1- () +	69.37	66.47	1.27x49=62.23	0.635x99=62.865	1F, 6A, AF



NOTE
 1. PART NO.
 RPS-D () RF () G1- () +
 NO. OF POS.
 CABLE CHARACTERISTICS
 KEY POSITION TO BE PLUGGED USING
 INSULATOR KEY (RPS-PK)
 RPS-D () RF () G1+ : WITHOUT ANY KEYING FEATURES.

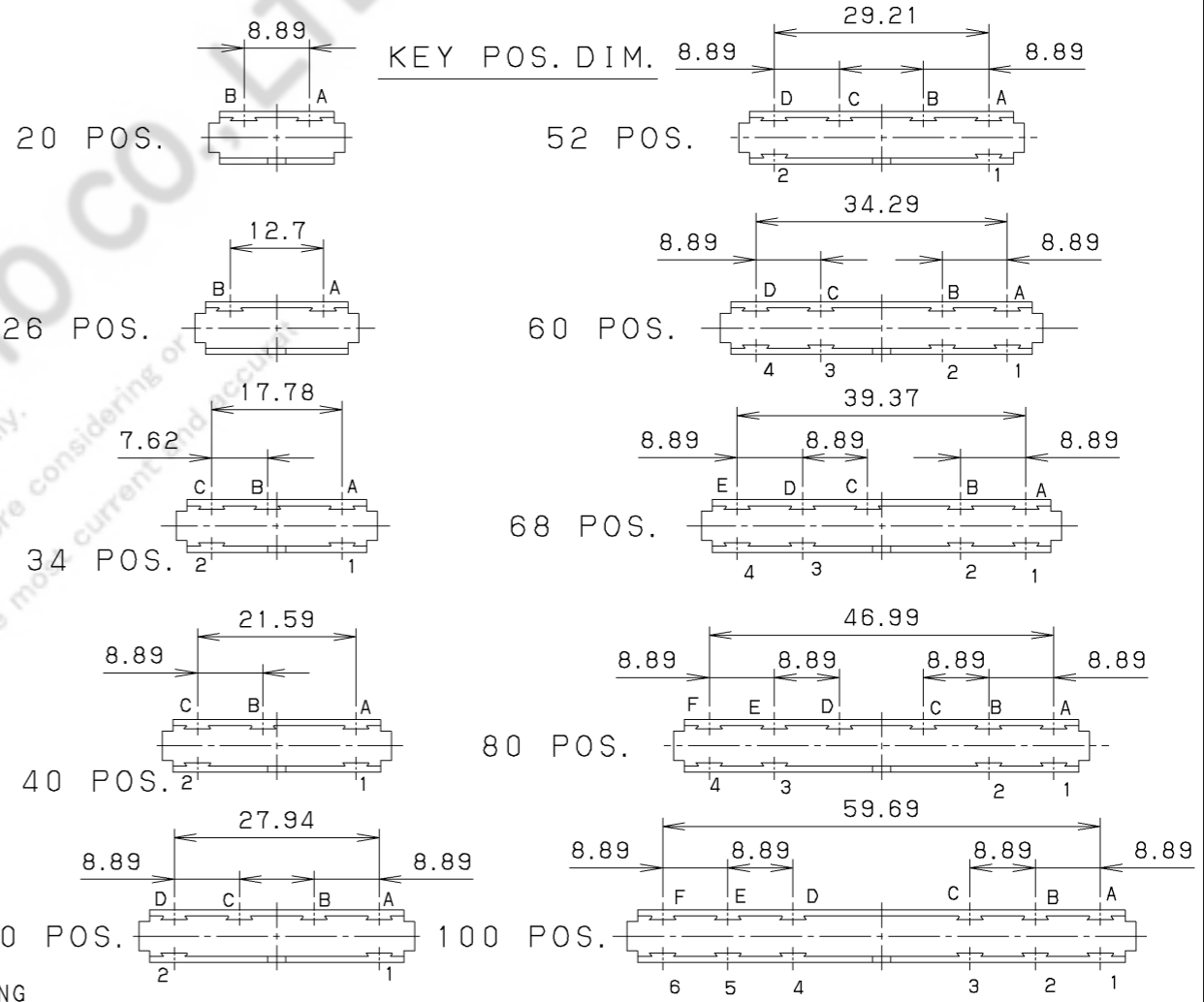
2. CONTACT PLATING
 CONTACT AREA: GOLD 0.76µm
 TERMINAL AREA: GOLD 0.05µm
 UNDER PLATING: NICKEL 2~3.8µm

CABLE CHARACTERISTICS

PART NO.	CABLE CHARACTERISTICS	MARKING
RPS-D () RFG1- () +	.025" SPACING FLAT CABLE #32AWG (7/0.08) THICKNESS: 0.6mm	—
RPS-D () RFAG1- () +	.025" SPACING FLAT CABLE #30AWG (1/0.254) THICKNESS: 0.6mm	A
RPS-D () RFBG1- () +	.025" SPACING FLAT CABLE #30AWG (7/0.102) THICKNESS: 0.6mm	B



INSULATOR KEY (RPS-PK)



6	STRAIN RELIEF	PBT RESIN (GF)	1	—	UL94V-0 BLACK COLOR
5	LOCK PIN	BRONZE	2	NICKEL PLATING	—
4	CABLE COVER	PBT RESIN (GF)	1	—	UL94V-0 BLACK COLOR
3	SPACER	PBT RESIN (GF)	1	—	UL94V-0 BLACK COLOR
2	INSULATOR	PBT RESIN (GF)	1	—	UL94V-0 BLACK COLOR
1	CONTACT	PHOSPHOR BRONZE	n	SEE NOTE #2	—

改版 LTR.	年月日 DATE	変更者 BY	変更内容 REV. DESCRIPT	番号 No.	部品名称 PART NAME	材質 MATERIAL	個数 QTY	処 理 FINISH	備 考 NOTE
	Mar. 31 (2004)		2/1		3RD. A. P				
製 DR.	設 DE.	計 CHK.	検 CHK.	承 APP.	本多通信工業株式会社 HONDA TSUSHIN KOGYO CO., LTD.				
Y. OHKI	Y. OHKI	T. SOGO	K. HOMMA	S. FURUSAWA	名 称 NAME	RPS-D TYPE FEMALE CONNECTOR FOR .025" SPACING FLAT CABLE (RoHS)			
					製 番 PART NO.	RPS-D () RF () G1- () +			