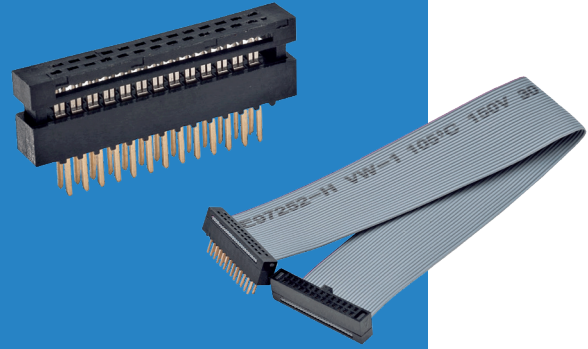


Archer Connectors – M50 IDC

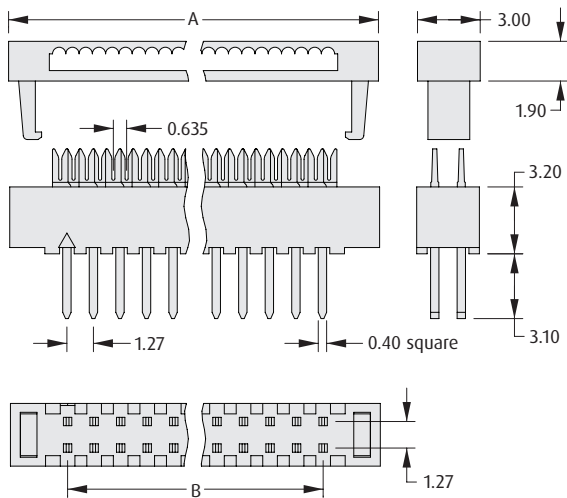
Male Cable Connector & Cable Assembly

- Male transitional cable connector suitable for soldering directly to PCB, permits cost effective cable to PCB attachment.
- IDC connection for fast termination of multiple contacts.
- Suitable for mating with other sockets from the Archer range.
- Low profile, small footprint.
- Instruction sheet for Hand Tool is available at www.harwin.com/instructions.



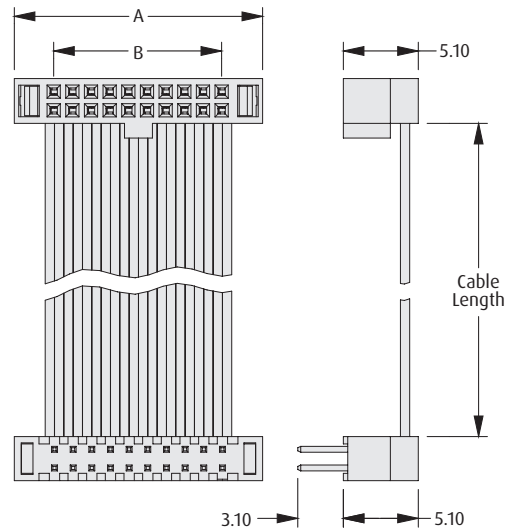
1.27mm (.050") PITCH

MALE IDC



MALE-TO-FEMALE CABLE

- Uses 0.635mm pitch 30 AWG Ribbon cable to UL2678.
- Constructed with Contact 1 attached to Contact 1, Contact 2 to Contact 2, etc.



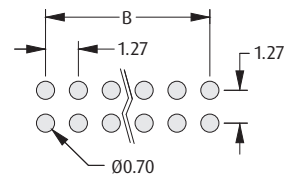
HAND TOOL



ORDER CODE
Z50-030

CALCULATION

A	$B + 5.47$
B	$1.27 \times (\text{No. of contacts per row} - 1)$



Recommended PC Board Pattern

HOW TO ORDER

M50 - XXX XX 42

SERIES CODE

TYPE

380	Male IDC Connector
901	150mm Cable Assembly
902	300mm Cable Assembly

FINISH

42	Gold + Tin
-----------	------------

NO. OF CONTACTS PER ROW

05, 10, 13, 17, 20, 25	All
06, 07, 08	M50-380 only

All dimensions in mm.