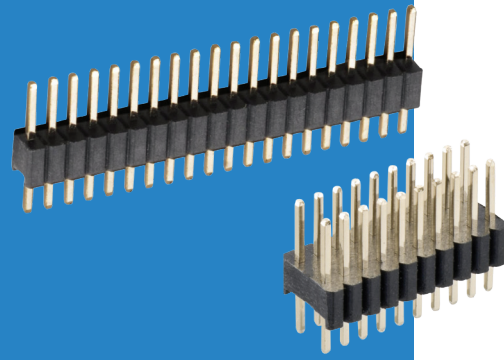


Archer Connectors – M52

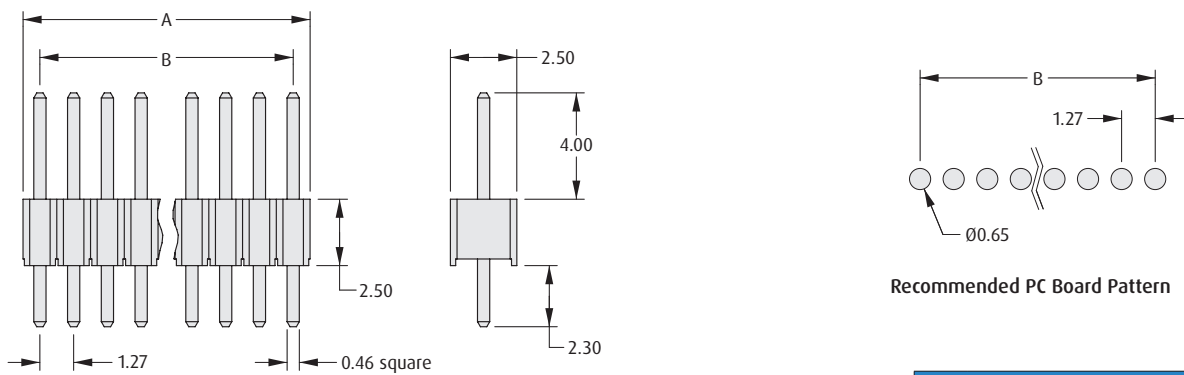
Male Vertical Throughboard

- Suitable for use with female connectors shown on previous page.



1.27mm (.050") PITCH

SINGLE ROW

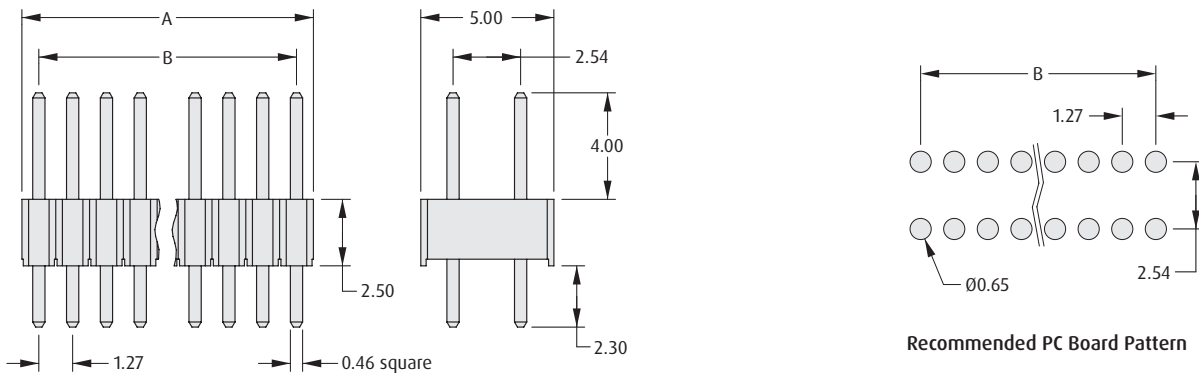


Recommended PC Board Pattern

CALCULATION

A	1.27 x No. of contacts per row
B	1.27 x (No. of contacts per row - 1)

DOUBLE ROW



Recommended PC Board Pattern

HOW TO ORDER

M52 - 040023 X XX 45

SERIES CODE

FINISH

45 Gold

TYPE

V	Single Row
W	Double Row

NO. OF CONTACTS PER ROW

05, 10, 20, 25

All dimensions in mm.