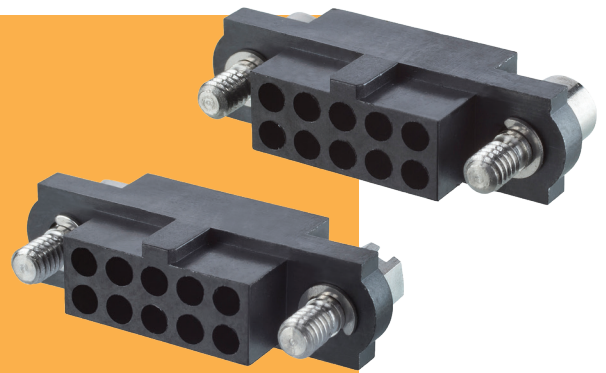


Datamate J-Tek Connectors

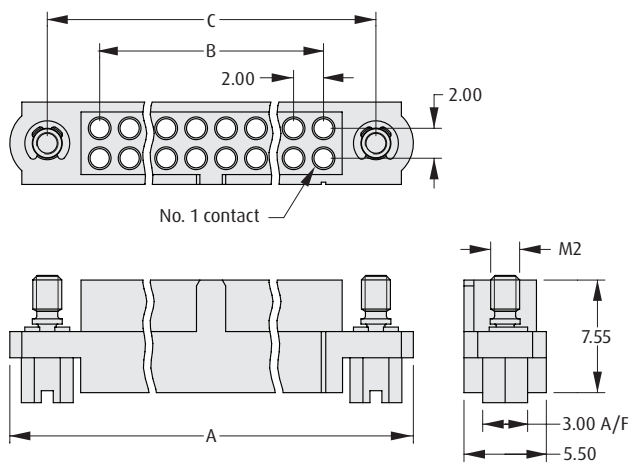
Female Crimp Housing

- Compatible with all female signal barrel crimp contacts, including T-Contact shown on previous page.
- Use insertion tool to insert crimped contacts into rear of connector housing: **order code Z80-Z80**.
- Connectors mate with Datamate J-Tek male connectors with applicable jackscrews.
- Jackscrews are supplied already assembled to housing.

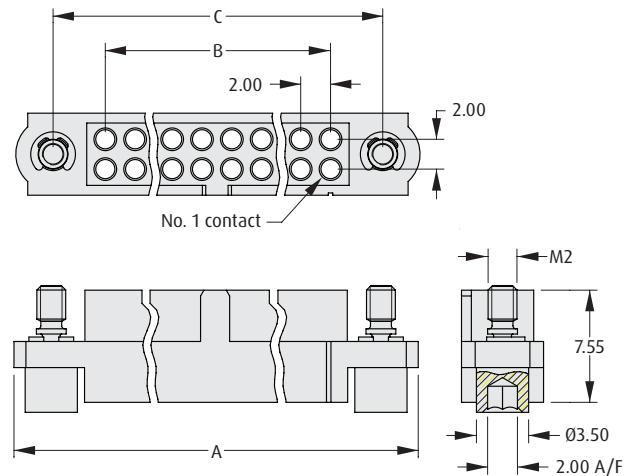


DATAMATE J-TEK

HEX SLOTTED JACKSCREWS



HEX SOCKET JACKSCREWS



CALCULATION

| | |
|----------|---------------------------|
| A | $B + 12$ |
| B | Total no. of contacts - 2 |
| C | $B + 7$ |

HOW TO ORDER

M80 - 41 X XX 98

SERIES CODE

JACKSCREW TYPE

| | |
|----------|------------------------|
| 3 | Hex Slotted Jackscrews |
| 4 | Hex Socket Jackscrews |

TOTAL NO. OF CONTACTS

04 to 50

All dimensions in mm.