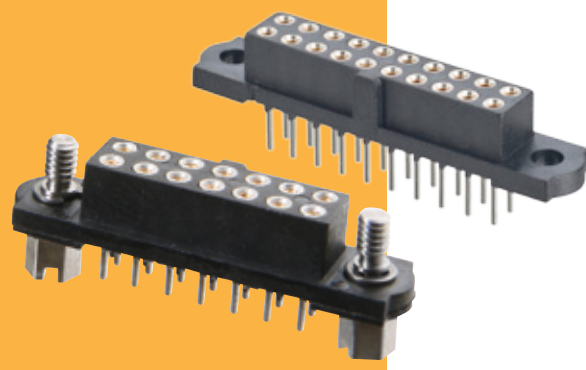
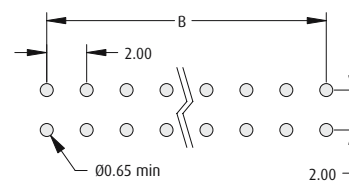
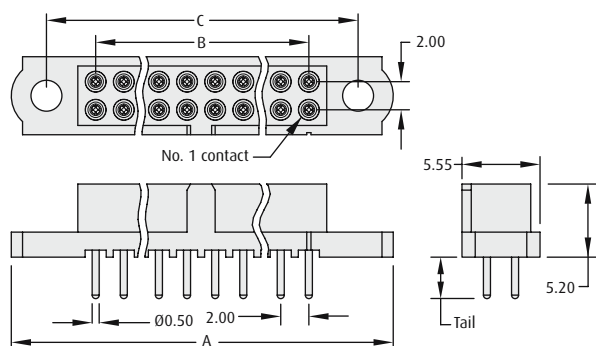


Female Vertical PC Tail

- Fully shrouded contacts.
- Polarised mouldings.
- Mates with male connectors shown on pages 52, 54, 56, 58, 60, 63 and 64.



WITHOUT JACKSCREWS

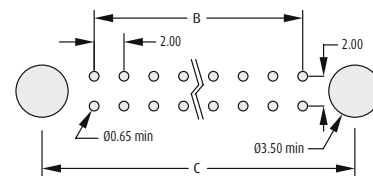
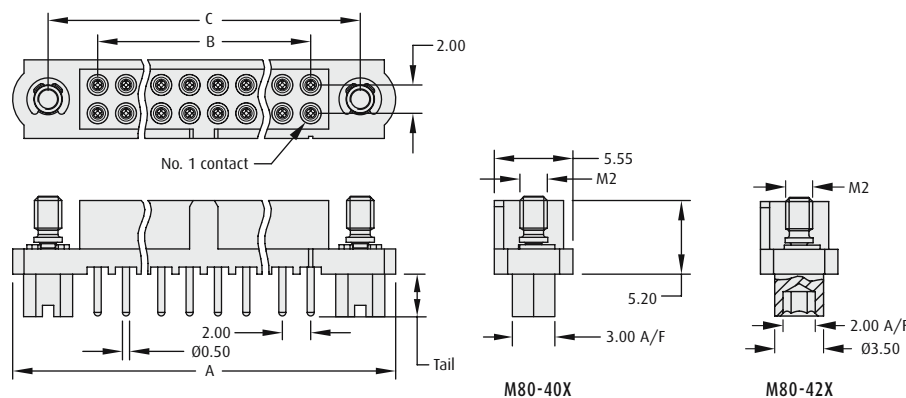


Recommended PC Board Pattern

CALCULATION

A	$B + 12$
B	Total no. of contacts - 2
C	$B + 7$

WITH JACKSCREWS



Recommended PC Board Pattern

HOW TO ORDER

M80 - 4 X X XX XX

SERIES CODE

0	With Hex Slotted Jackscrews
1	Without Jackscrews
2	With Hex Socket Jackscrews

0	3mm Tails
1	4.5mm Tails

FINISH

01	Gold + Tin/Lead	
05	Gold	
42	Gold + Tin	

TOTAL NO. OF CONTACTS

04 to 50

Even numbers only

All dimensions in mm.