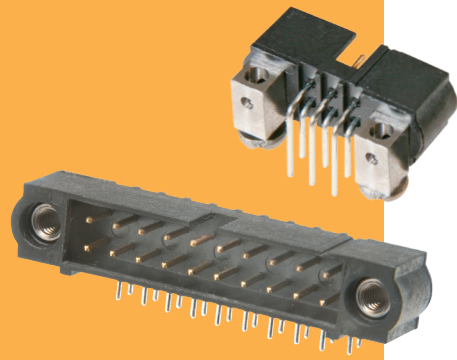


# Datamate J-Tek Connectors

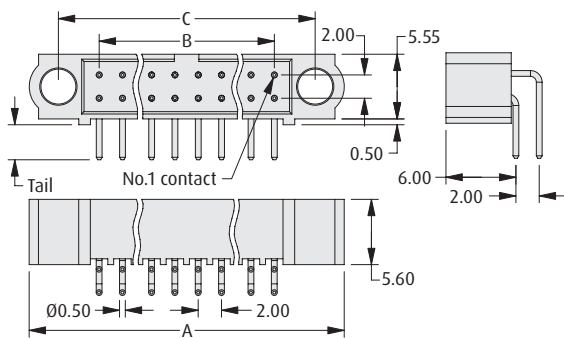
## Male Horizontal Throughboard

- Polarized housings.
- Fully shrouded contacts.
- Jackscrews are assembled where specified.
- Choice of throughboard termination length.
- Board Mount provides PCB strain relief.
- Mates with female Datamate J-Tek connectors with compatible jackscrews.



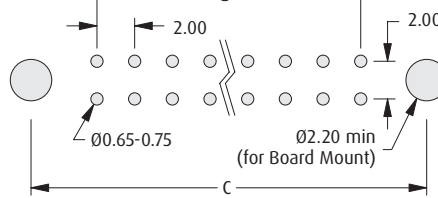
DATAMATE J-TEK

### WITHOUT JACKSCREWS



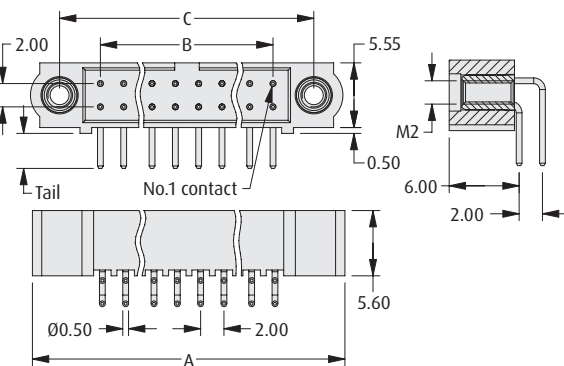
### CALCULATION

<b>A</b>	B + 12
<b>B</b>	Total no. of contacts - 2
<b>C</b>	B + 7

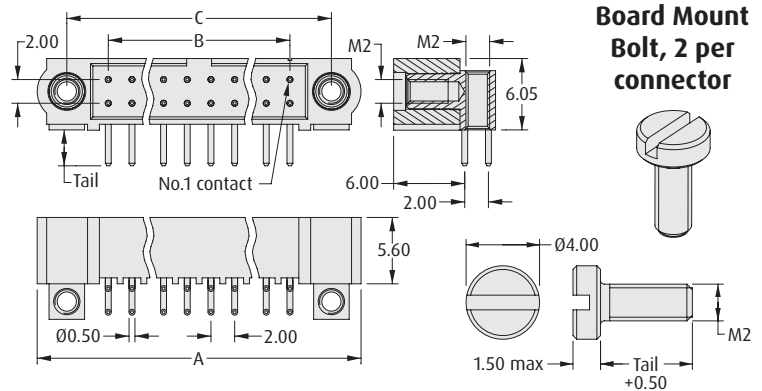


Recommended PC Board Pattern

### WITH JACKSCREWS



### WITH BOARD MOUNT



### HOW TO ORDER

**M80 - 5 X X XX XX**

#### SERIES CODE

<b>3</b>	With Jackscrews
<b>4</b>	With Board Mount
<b>5</b>	Without Jackscrews

<b>0</b>	3mm Tails
<b>1</b>	4.5mm Tails

#### FINISH

<b>05</b>	Gold
<b>42</b>	Gold + Tin

#### TOTAL NO. OF CONTACTS

**04, 06, 08, 10, 12, 14, 20, 26, 34, 42, 50**

All dimensions in mm.