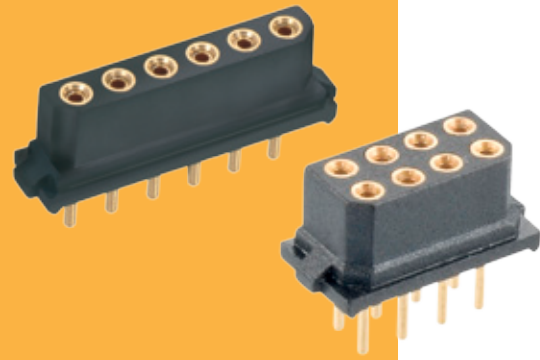
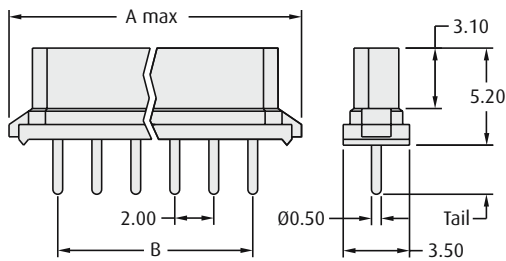


## Female Vertical PC Tail

- ❖ Polarised mouldings.
- ❖ For British Standard versions see pages 18 to 19.
- ❖ Dummy contacts for additional polarisation use **order code M80-023**.
- ❖ Mates with male connectors on pages 27 to 33.

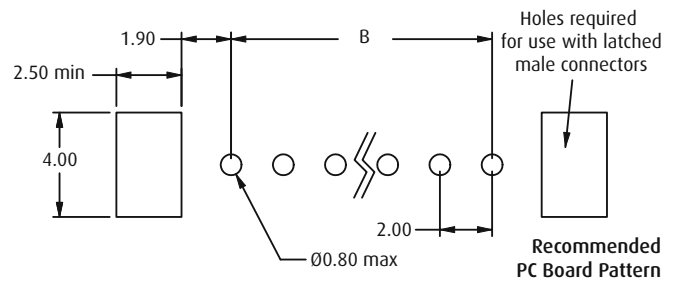


### SINGLE ROW

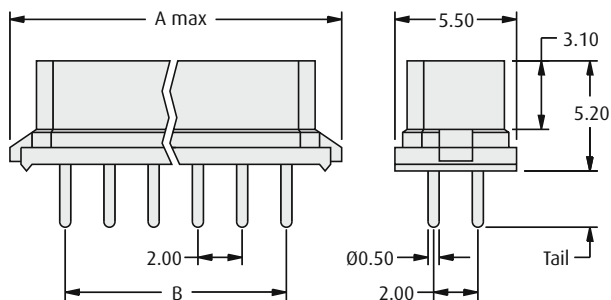


### CALCULATION

<b>A</b>	$B + 5.15$
<b>B</b>	$(\text{Total no. of contacts} - 1) \times 2$

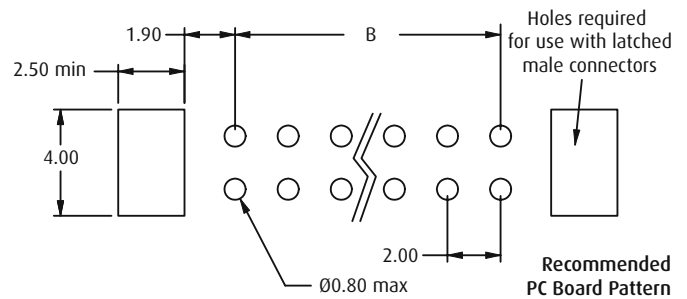


### DOUBLE ROW



### CALCULATION

<b>A</b>	$B + 5.15$
<b>B</b>	$\text{Total no. of contacts} - 2$



### HOW TO ORDER

## M80 - XXX XX XX

#### SERIES CODE

RoHS	Non-RoHS	
840	897	Single Row (3mm tail)
850	887	Double Row (3mm tail)
790	790	Single Row (4.5mm tail)
770	770	Double Row (4.5mm tail)

#### FINISH

01	Gold + Tin/Lead	
05	Gold	
42	Gold + Tin	
45	Gold	

#### TOTAL NO. OF CONTACTS

02 to 07, 17, 22	Single Row
04, 06, 08, 10, 12, 14, 16, 18, 20, 26, 34, 44	Double Row

All dimensions in mm.