

# Customer Information Sheet

DRAWING No.: M80-FCXXX68L0-XXXXL

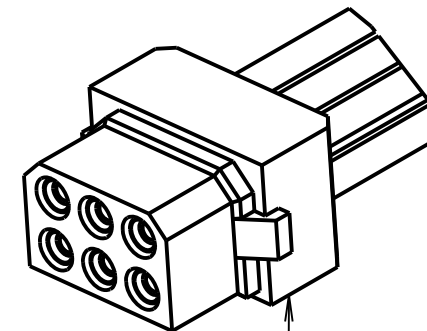
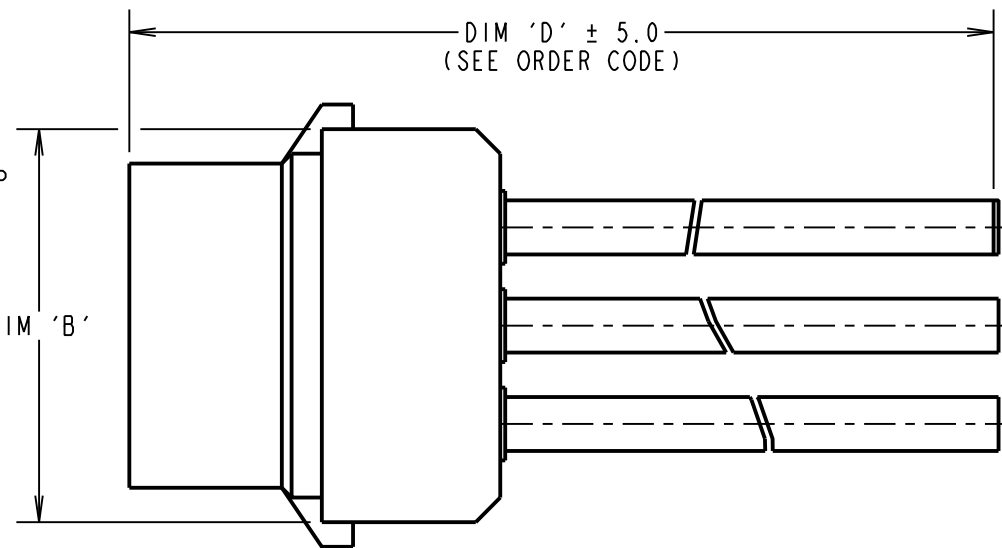
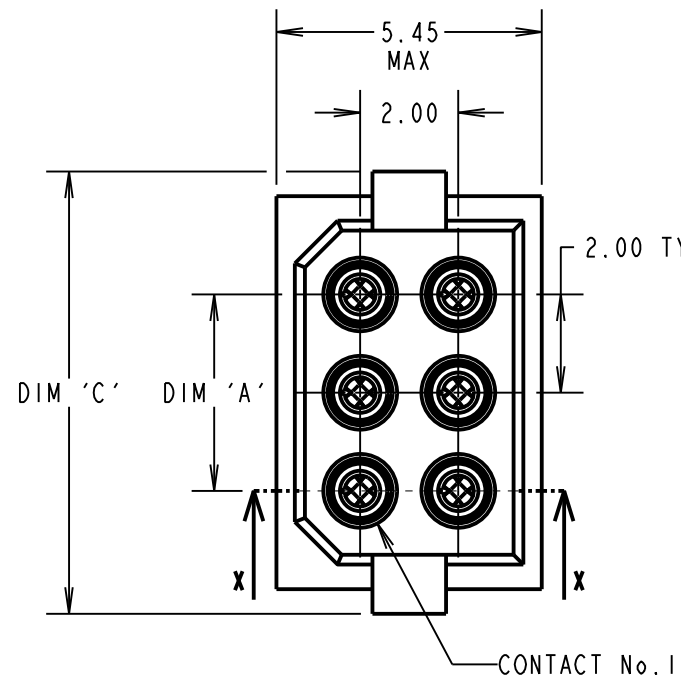
IF IN DOUBT - ASK

©

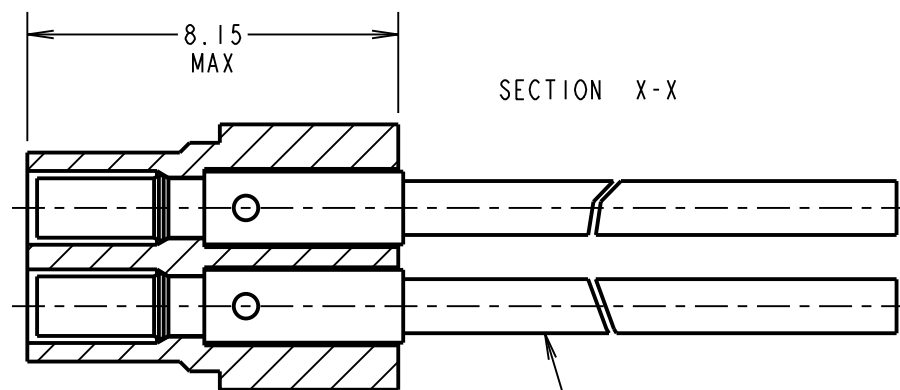
NOT TO SCALE

THIRD ANGLE PROJECTION

ALL DIMENSIONS IN mm



FEMALE MOULDING (1-OFF);  
SEE ORDER CODE FOR TOTAL  
NUMBER OF CONTACTS



WHITE PTFE WIRE:  
IN ACCORDANCE WITH COMPONENT SPECIFICATION C049XX  
(SEE ORDER CODE FOR WIRE GAUGE)

CONTACT No.	WIRE COLOUR
1	BLACK
2	BROWN
3	RED
4	ORANGE
5	YELLOW
6	GREEN
7	BLUE
8	VIOLET
9	GREY
10	WHITE

WIRE COLOURS REPEAT IN ABOVE ORDER FOR  
CONNECTOR ASSEMBLIES OVER 10 CONTACTS.

- NOTES:
- CABLE ASSEMBLIES WILL BE PACKED IN BAGS.
  - FOR COMPLETE SPECIFICATION, SEE COMPONENT SPECIFICATION C005XX AND C049XX (LATEST ISSUES).

DIMENSION	MEASUREMENT
DIM 'A'	TOTAL No. OF CONTACTS - 2.00
DIM 'B'	TOTAL No. OF CONTACTS + 2.00
DIM 'C'	(TOTAL No. OF CONTACTS / 2) + 3.15 MAX

EXAMPLE PART No. :  
6 CONTACT CONNECTOR WITH 450mm OF 30AWG WIRE =  
M80-FC50668L0-0450L  
26 CONTACT CONNECTOR WITH 150mm OF 26AWG WIRE =  
M80-FC32668L0-0150L

ORDER CODE: M80-FCXXX68L0-XXXXL

- WIRE GAUGE: \_\_\_\_\_
- 1 = 22AWG (LARGE BORE)
  - 2 = 24AWG (SMALL BORE)
  - 3 = 26AWG (SMALL BORE)
  - 4 = 28AWG (SMALL BORE)
  - 5 = 30AWG (EXTRA SMALL BORE)

DIM 'D' LENGTH: \_\_\_\_\_

- 0060 = 60mm MIN
- 9999 = 9999mm MAX

(SEE TABLE FOR EXAMPLES)

TOTAL No. OF CONTACTS: \_\_\_\_\_

04, 06, 08, 10, 12, 14,  
16, 18, 20, 26, 34

RTP	3	22.03.21	30101
NAME	ISS.	DATE	CN/CO
APPROVED: R.PORTLOCK			
CHECKED: R.ALEXANDER			
DRAWN: F.MCGOWAN			
CUSTOMER REF.:			
ASSEMBLY DRG:			

## HARWIN

www.harwin.com  
technical@harwin.com

THIS DRAWING AND ANY  
INFORMATION OR DESCRIPTIVE  
MATTER SET OUT HEREON ARE  
CONFIDENTIAL AND COPYRIGHT  
PROPERTY OF THE HARWIN  
GROUP AND MUST NOT BE  
DISCLOSED, LOANED, COPIED  
OR USED FOR MANUFACTURING,  
TENDERING OR FOR ANY  
OTHER PURPOSE WITHOUT  
THEIR WRITTEN PERMISSION.

TOLERANCES

X. = ±1mm  
X.X = ±0.50mm  
X.XX = ±0.20mm  
X.XXX = ±0.01mm  
ANGLES = ±5°  
UNLESS STATED

MATERIAL:

SEE ABOVE

FINISH:

SEE ABOVE

S/AREA:

mm<sup>2</sup>

TITLE:

DATAMATE L-TEK FEMALE  
SINGLE-ENDED CABLE ASSEMBLY

DRAWING NUMBER:

M80-FCXXX68L0-XXXXL

SHT  
2 OF 2