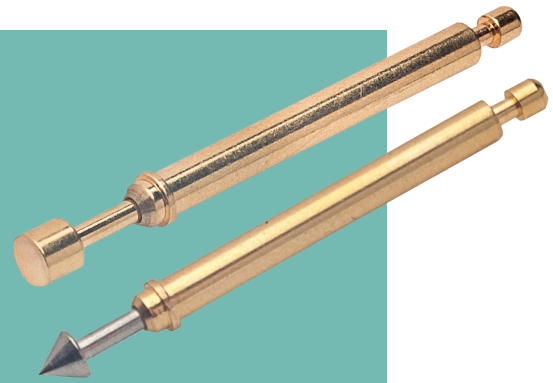


# ATE Spring Probes

## One-Part Test Probes

- Single piece spring test probe, with a selection of head styles for different probing surfaces.
- Can be assembled as either clearance fit and glued to a test jig, and wire attached to the rear groove, or clearance fit and soldered to a PCB for electrical connection.



### Mechanical

Full travel: 3.18mm

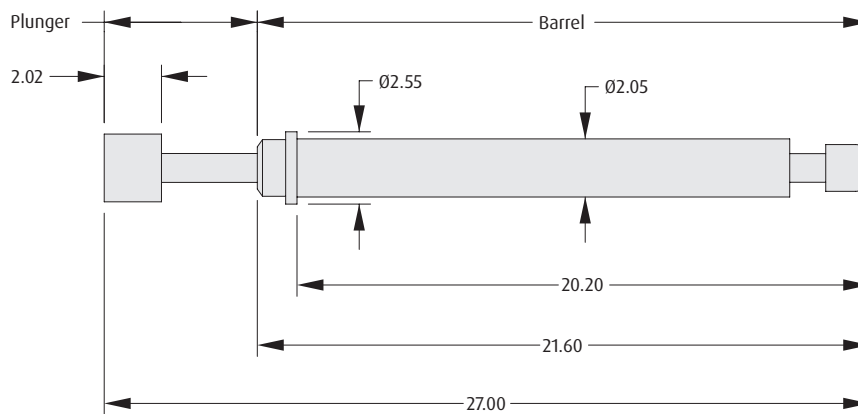
#### Spring force

At full travel: 0.75N

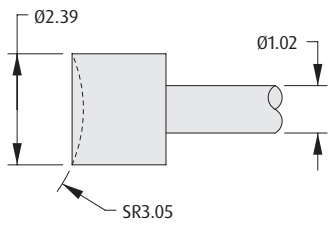
At working length (2.20mm travel): 0.54N

- Suitable for a minimum pitch spacing of 3mm.

- Recommended PC Board Hole:  $\varnothing 2.20\text{mm}$  (clearance fit) or  $\varnothing 2.00\text{mm}$  (interference fit).



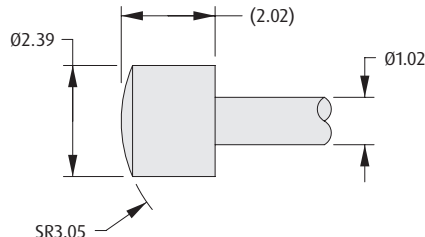
### CONCAVE RADIUS HEAD



#### ORDER CODE

P1113CA3

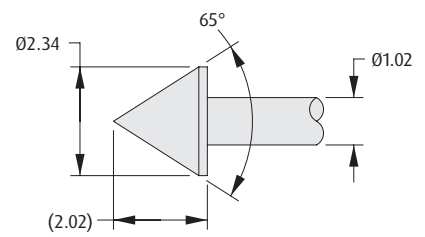
### CONVEX RADIUS HEAD



#### ORDER CODE

P1113CV3

### CONVEX HEAD



#### ORDER CODE

P1113SS3

All dimensions in mm.