

# Customer Information Sheet

DRAWING No.: R40-600XX02

SHEET 2 OF 2

IF IN DOUBT - ASK

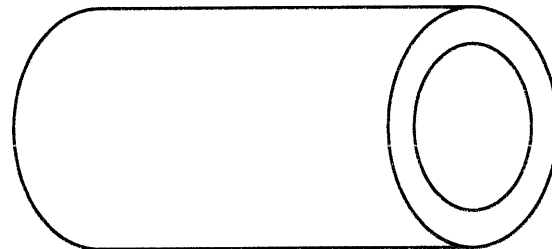
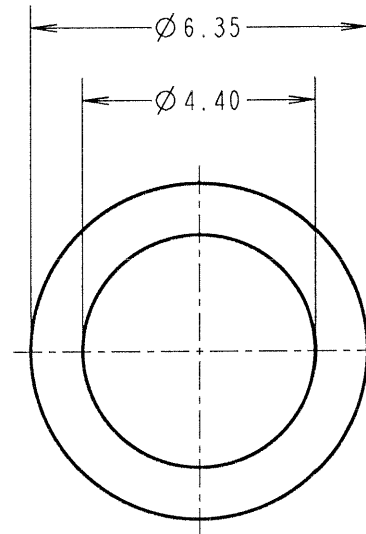
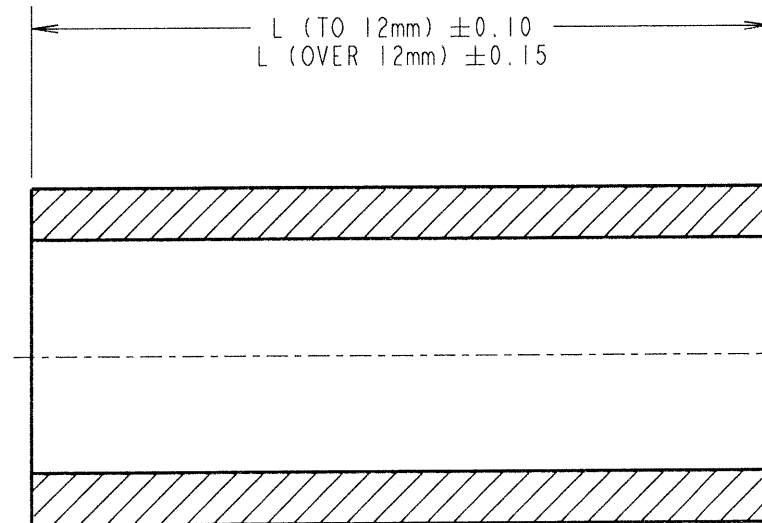
(C)

NOT TO SCALE

THIRD ANGLE PROJECTION

ALL DIMENSIONS IN mm

PART No.	L
R40-6000302	3.00
R40-6000402	4.00
R40-6000502	5.00
R40-6000602	6.00
R40-6000702	7.00
R40-6000802	8.00
R40-6000902	9.00
R40-6001002	10.00
R40-6001102	11.00
R40-6001202	12.00
R40-6001302	13.00
R40-6001402	14.00
R40-6001502	15.00
R40-6001602	16.00
R40-6001802	18.00
R40-6002002	20.00
R40-6002502	25.00
R40-6003002	30.00



ORDER CODE:  
**R40-600XX02**  
LENGTH LI IN mm

JMB	5	15.10.06	9512
NAME	ISS.	DATE	C/NOTE
APPROVED: <i>[Signature]</i>			
CHECKED: <i>[Signature]</i>			
DRAWN:		WJ BOURNE	
CUSTOMER REF.:			
ASSEMBLY DRG:			

**HARWIN**

THIS DRAWING AND ANY INFORMATION OR DESCRIPTIVE MATTER SET OUT HEREON ARE CONFIDENTIAL AND COPYRIGHT PROPERTY OF THE HARWIN GROUP AND MUST NOT BE DISCLOSED, LOANED, COPIED OR USED FOR MANUFACTURING, TENDERING OR FOR ANY OTHER PURPOSE WITHOUT THEIR WRITTEN PERMISSION.

TOLERANCES  
 X. = ±1mm  
 X.X = ±0.25mm  
 X.XX = ±0.10mm  
 X.XXX = ±0.01mm  
 ANGLES = ±5°  
 UNLESS STATED

MATERIAL: BRASS  
 CW614N M TO BS EN 12164  
 (CuZn39Pb3)  
 FINISH: NICKEL  
 S/AREA: mm<sup>2</sup>

TITLE: M4 CIRCULAR CLEARANCE SPACER

DRAWING NUMBER: **R40-600XX02**

SHT 2 OF 2

HARWIN INC U.S.A. TEL: (812) 542 2540 FAX: (812) 542 2541	HARWIN PLC U.K. TEL: 023 9231 4545 FAX: 023 9231 4590	HARWIN PTE SINGAPORE TEL: 65 6779 4909 FAX: 65 6779 3868
--	--	---