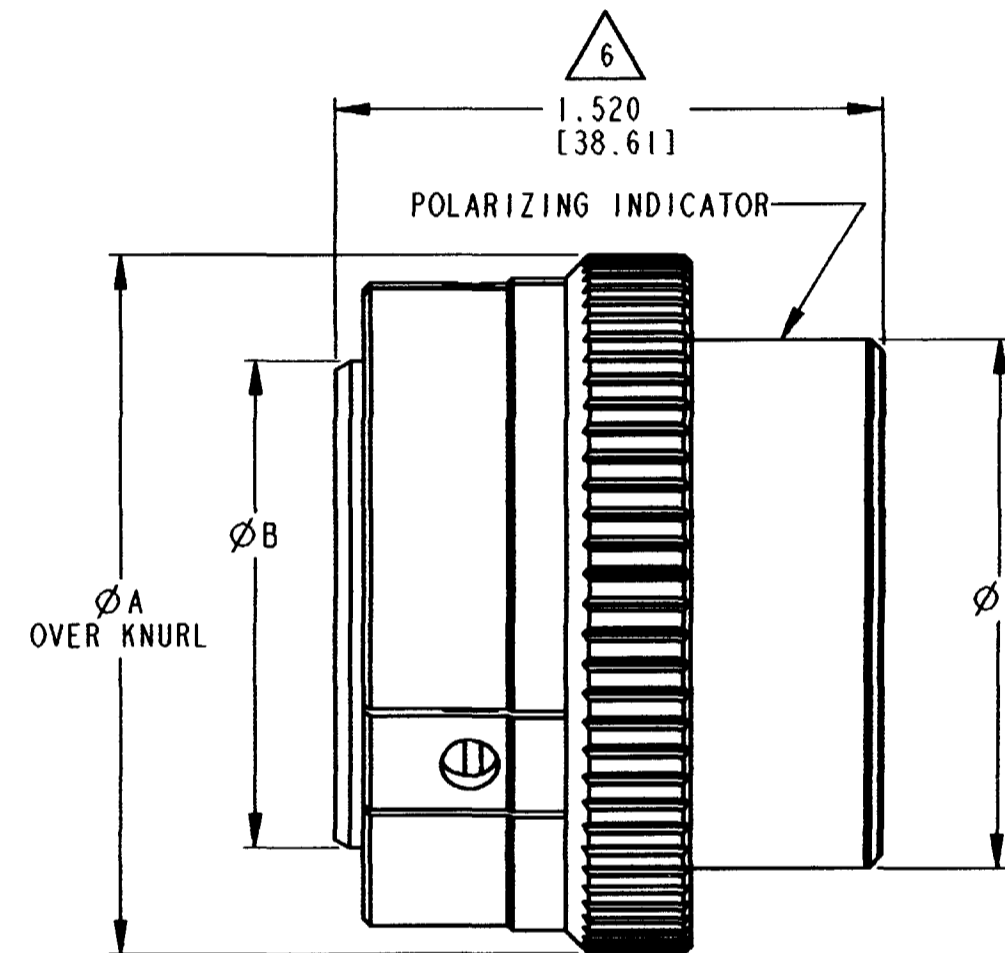
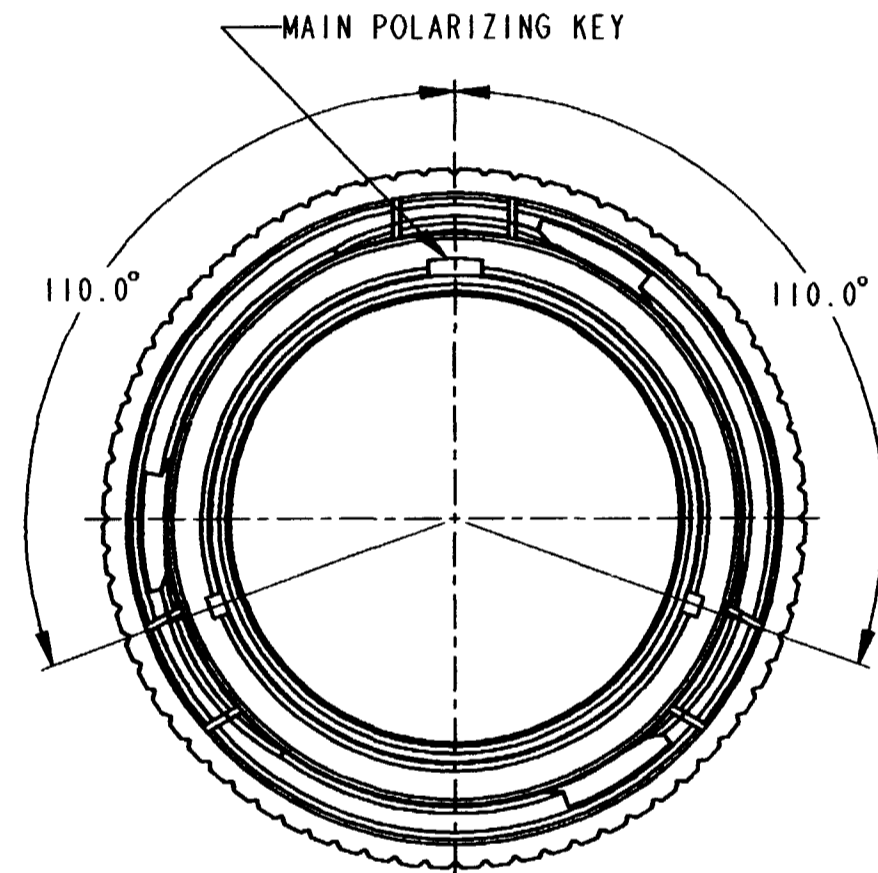


SIZE	A	B	C
	$\begin{matrix} +.000 \\ -.100 \end{matrix} \begin{matrix} [+0.00] \\ [-2.54] \end{matrix}$		
18	1.692[42.98]	1.103[28.02]	1.220[30.99]
24	1.942[49.32]	1.353[34.37]	1.470[37.34]

REV NC HDB36-***P/S*

REVISIONS			
SYM	DESCRIPTION	DATE	APPROVED
NC	NEW RELEASE PER E.O. P19240	5/1/06	RDR



6. TOTAL DIM. WITH EXTENDED WIRE SEAL (WITH CONTACTS #4 OR #8 ONLY) = 1.750±.050 [44.45±1.27].

5. FOR CONTACTS AND WIRES PERFORMANCE AND APPLICATION CHARACTERISTICS SEE ENVELOPE DRAWING 0425-015-0000.

4. FOR ARRANGEMENT OF CONTACT LOCATIONS SEE ENVELOPE DRAWINGS 0425-014-2400 AND 0425-013-1800.

3. FOR PERFORMANCE AND APPLICATION CHARACTERISTICS SEE ENVELOPE DRAWING 0425-016-0000.

2. DIMENSIONS ARE IN INCHES [MILLIMETERS].

NOTES: 1. CONSULT THE FACTORY FOR ELECTRICAL AND MATERIAL SPECIFICATIONS.

9. BREAKAWAY FUNCTION OCCURS AT AN AXIAL LOAD OF 50 TO 100 LBS.

8. DIMENSION TOLERANCE IS ±.025 [.63] UNLESS OTHERWISE SPECIFIED.

7. THIS CONNECTOR MATES WITH HD34-**-**P/S*-**** (**=SEAL TYPE). (**₁ = SIZE, **₂ = ARRANGEMENT)

SIGNATURE & DATE	
DR	R. MESSENGER 4/26/06
CHK	R. MESSER 5/8/06
PE	R. MESSER 5/2/06
APPD	S. Bend 5-2-06
SCALE	NONE WT

PLUG CONNECTOR
SHELL SIZE 18 & 24
BAYONET COUPLING
HDB SERIES

ENVELOPE

CP	MATL. CODE
The Deutch Company DEUTSCH I.P.D. 3850 INDUSTRIAL AVE. HEMET, CALIF. 92545	
B HDB36-***P/S*	
DWG SIZE	SHEET OF