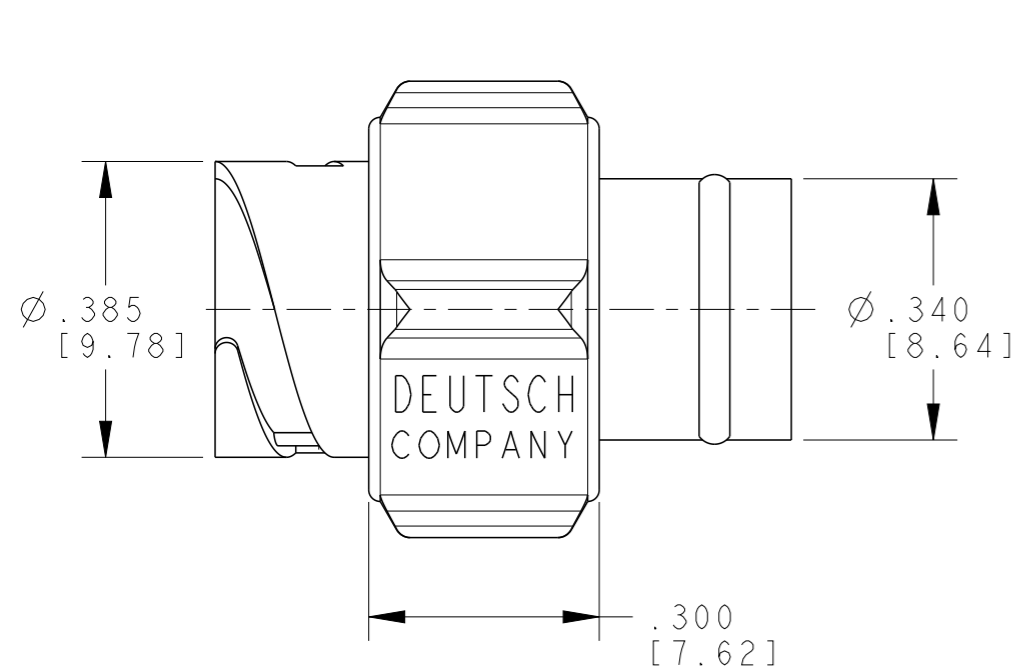


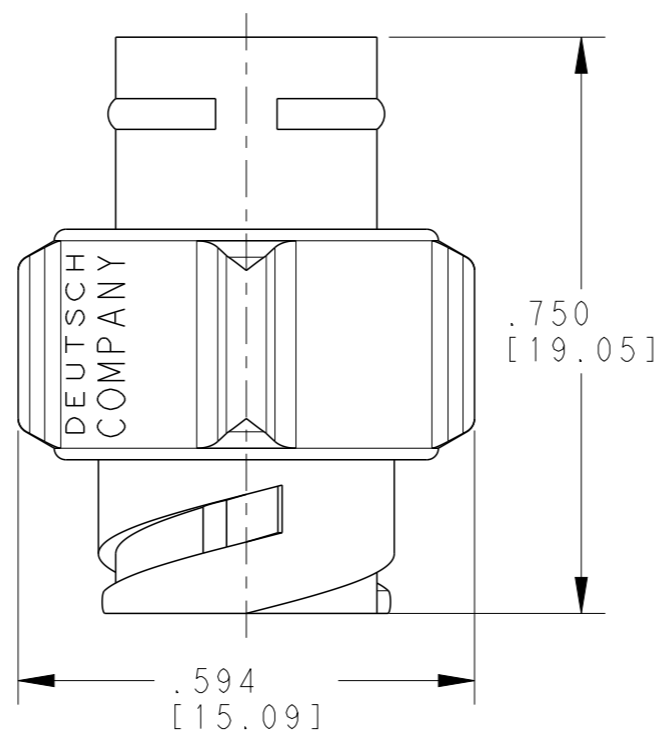
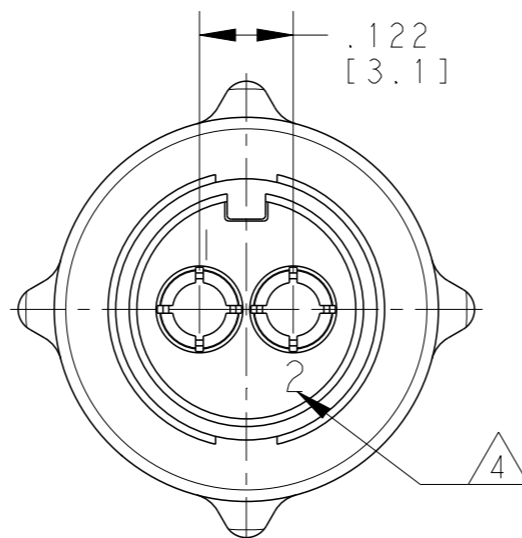
REVISIONS

P	LTR	DESCRIPTION	DATE	DWN	APVD
	A	INITIAL RELEASE	27MAY2017	AP	PV

IMC11-2002X AS SHOWN:



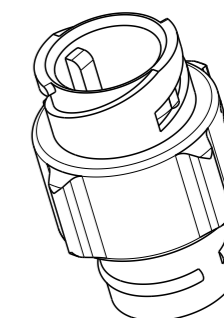
SCALE 4:1



NOTES

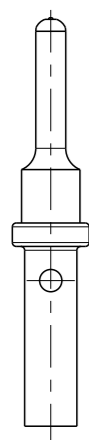
- 1. TE ORDER NUMBER.
- 2. BULK PACKAGING IN CORRUGATED BOX.
- 3. INSERT ARRANGEMENT SEE PAGE 2.
- 4. CAVITY NUMBERING.
- 5. PN SUFFIX "X" = SHIPPED WITH CONTACTS.
- 6. SUITABLE COUNTERPART:

RECEPTACLE (INLINE)	PLUG
IMC11-2002X	IMC16-2002X
IMC11-2003X	IMC16-2003X
IMC11-2204X	IMC16-2204X



SCALE 2:1

SUITABLE CONTACT:
 SIZE-20 (2X)
 6860-201-20278



PIN CONTACTS	DESCRIPTION	PART NUMBER
22	IMC 100 SERIES IN-LINE RECEPTACLE 4 WAY	IMC11-2204X
20	IMC 100 SERIES IN-LINE RECEPTACLE 3 WAY	IMC11-2003X
20	IMC 100 SERIES IN-LINE RECEPTACLE 2 WAY	IMC11-2002X

THIS DRAWING IS A CONTROLLED DOCUMENT.

DIMENSIONS: in [mm]	TOLERANCES UNLESS OTHERWISE SPECIFIED: 0 PLC ±- 1 PLC ±- 2 PLC ±- 3 PLC ±.025 4 PLC ±- ANGLES ±1°	DWN 22MAY2017 AJITH PAI CHK 25MAY2017 PRAVEENA V APVD 25MAY2017 C FINZER		
MATERIAL	FINISH	PRODUCT SPEC	NAME IMC 100 SERIES RECEPTACLE - IN LINE -	
		APPLICATION SPEC	SIZE A3	CAGE CODE -
		WEIGHT 2 g	DRAWING NO C-IMC11-2XXXX	RESTRICTED TO -
		CUSTOMER DRAWING	SCALE 5:1	SHEET 1 OF 2 REV A

THIS DRAWING IS UNPUBLISHED

RELEASED FOR PUBLICATION

2017

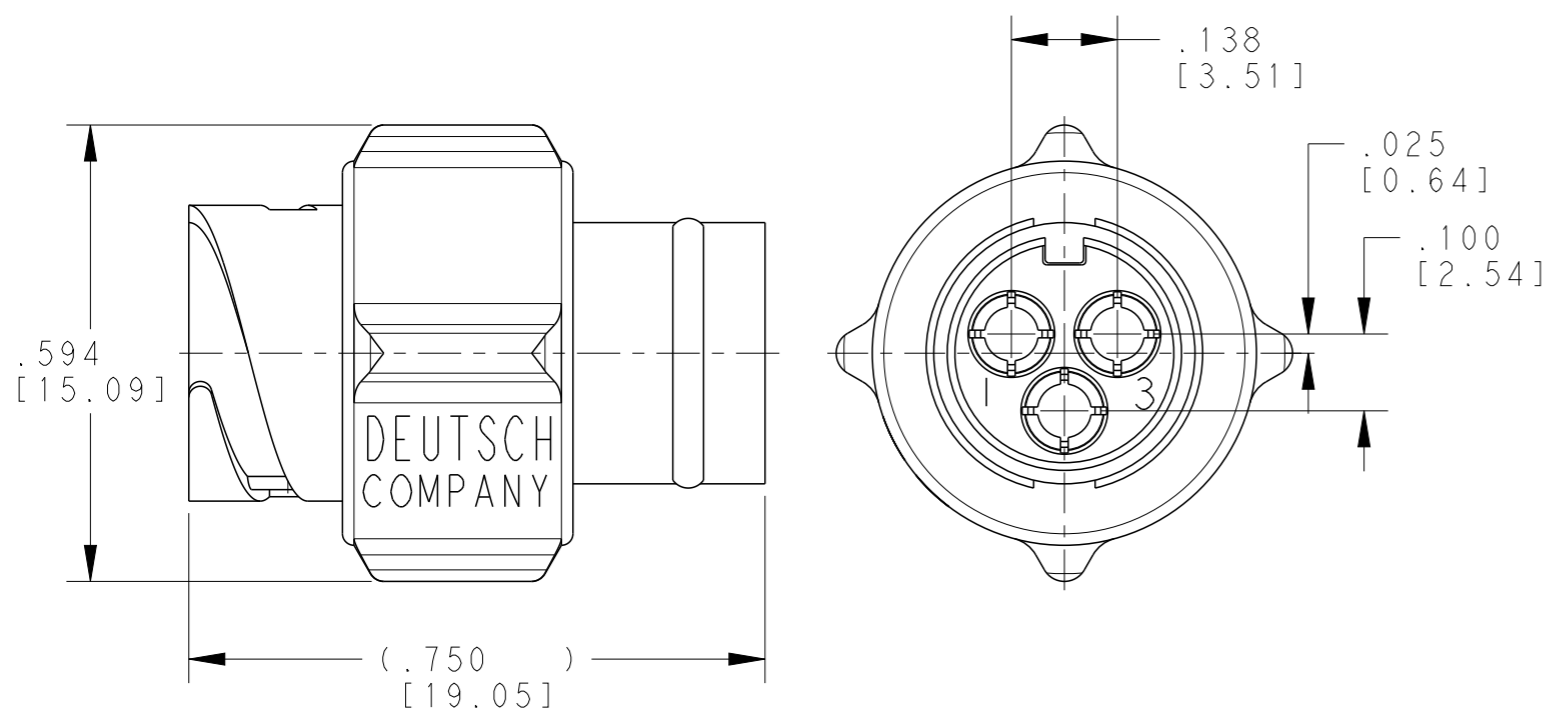
© COPYRIGHT 2017 BY TE CONNECTIVITY

ALL RIGHTS RESERVED.

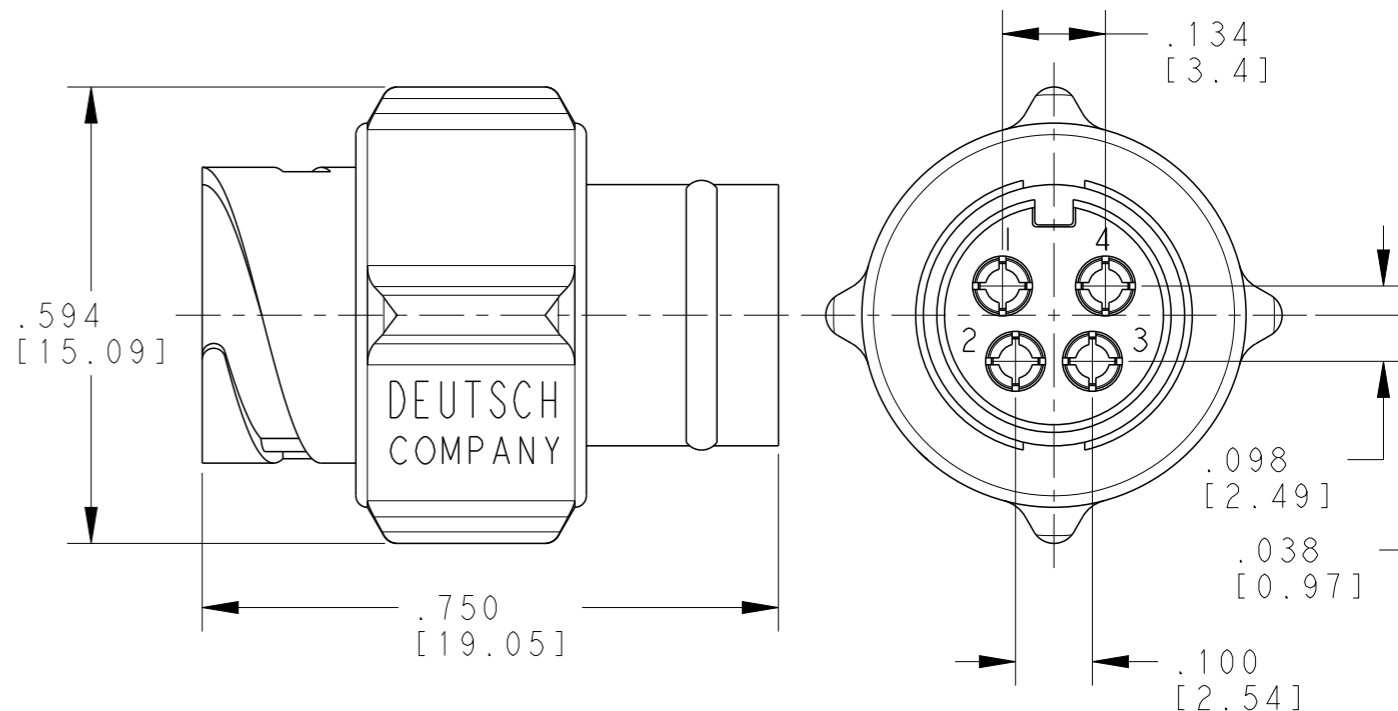
REVISIONS

P	LTR	DESCRIPTION	DATE	DWN	APVD
-	-	SEE SHEET 1	-	-	-

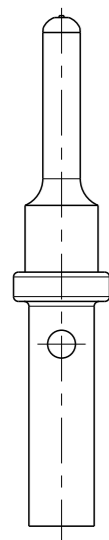
IMC11-2003X



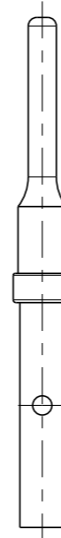
IMC11-2204X



SUITABLE CONTACT:
 SIZE-20 (3X)
 6860-201-20278



SUITABLE CONTACT:
 SIZE-22 (4X)
 6860-201-22278



THIS DRAWING IS A CONTROLLED DOCUMENT.

DWN 22MAY2017

CHK AJITH PAI 25MAY2017

APVD PRAVEENA V 25MAY2017

C FINZER 25MAY2017

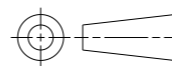
PRODUCT SPEC

APPLICATION SPEC

WEIGHT 2 g

CUSTOMER DRAWING

DIMENSIONS:
in [mm]



TOLERANCES UNLESS OTHERWISE SPECIFIED:

- 0 PLC ±-
- 1 PLC ±-
- 2 PLC ±-
- 3 PLC ±.025
- 4 PLC ±-
- ANGLES ±1°
- FINISH -

MATERIAL

FINISH



TE Connectivity

NAME IMC 100 SERIES RECEPTACLE - IN LINE -

SIZE CAGE CODE DRAWING NO RESTRICTED TO

A3 - C-IMC11-2XXXX -

SCALE 5:1 SHEET 2 OF 2 REV A