

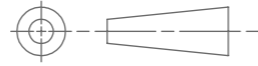
DRAWING NUMBER

603942-ENV

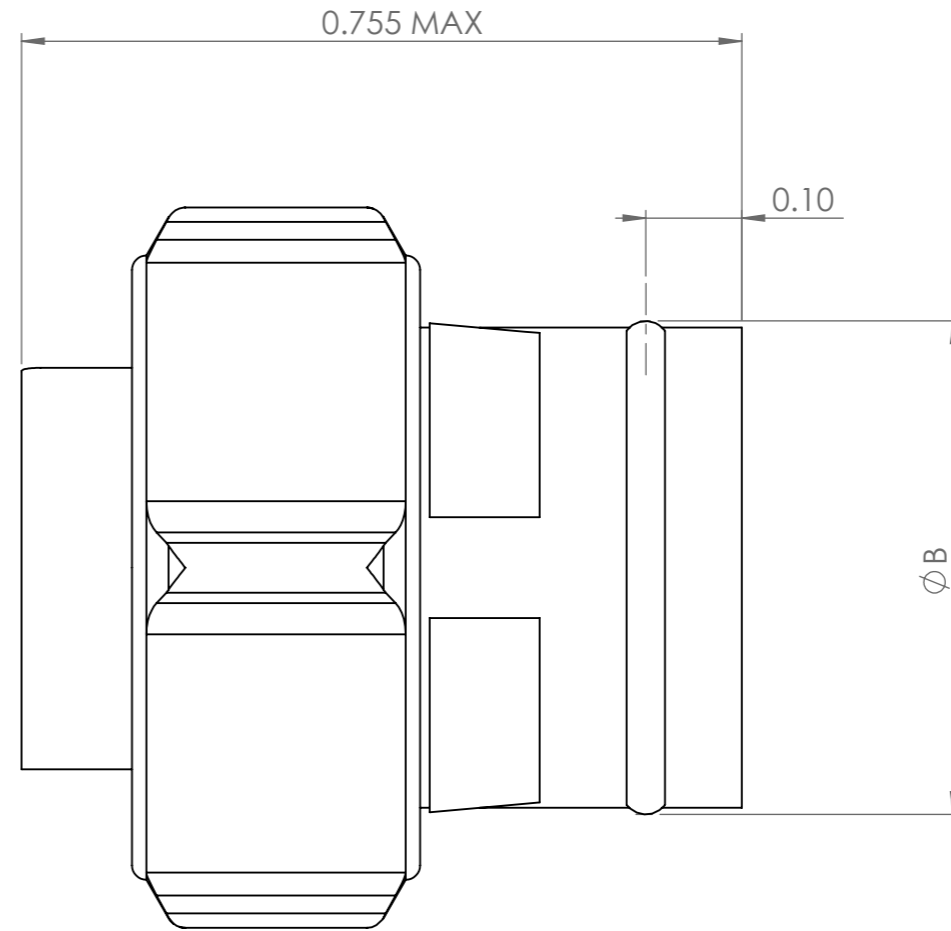
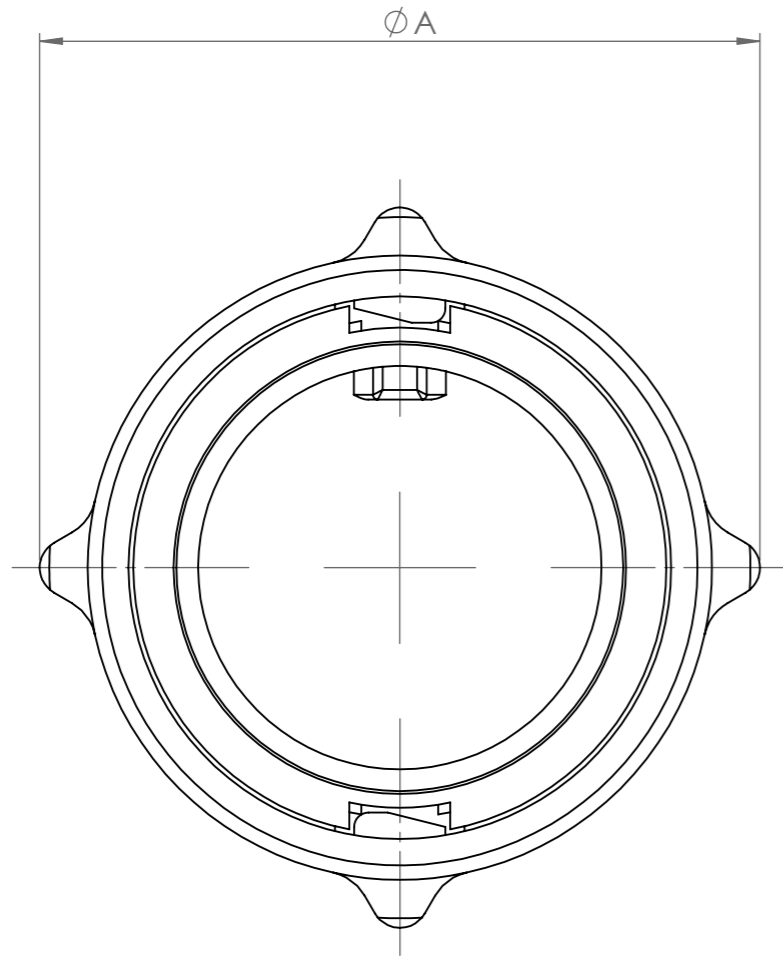
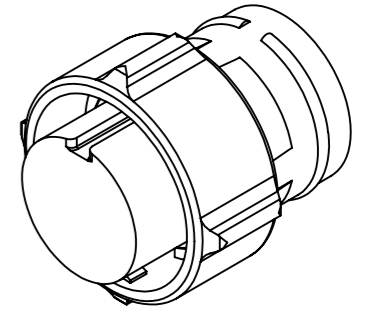
A3

THIRD ANGLE PROJECTION

BS 8888




IF IN DOUBT, ASK



PART No.	ØA MAX	ØB MAX
IMC16-****X	0.600	0.362
IMC26-****X	0.755	0.522

AA	DUK-67068	WS	NDL	NDL	CEO	20/07/2016
ISSUE	CHANGE NOTE	DRAWN	CHECKED	APP. ENG.	APP. MARKETING	DATE

MATERIAL	<p>THIS INFORMATION IS CONFIDENTIAL AND PROPRIETARY TO TYCO ELECTRONICS CORPORATION AND ITS WORLDWIDE SUBSIDIARIES AND AFFILIATES (TE). IT MAY NOT BE DISCLOSED TO ANYONE, OTHER THAN TE PERSONNEL, WITHOUT AUTHORIZATION FROM TE (www.TE.com).</p>	 <p>TE connectivity</p>	
HEAT TREATMENT & FINISH			<p>DEUTSCH</p> <p>ST LEONARDS ON SEA, EAST SUSSEX, TN38 9RF TEL. +44 (0)1424 852721</p>
PACKAGING			
SCALE	2:1	DRAWING NUMBER	
<p>DIMENSIONS IN INCHES UNLESS OTHERWISE STATED</p>		<p>TITLE TYPE CUSTOMER DRAWING</p> <p>PLUG ASSEMBLY ENVELOPE DRAWING</p>	
		<p>603942-ENV</p>	