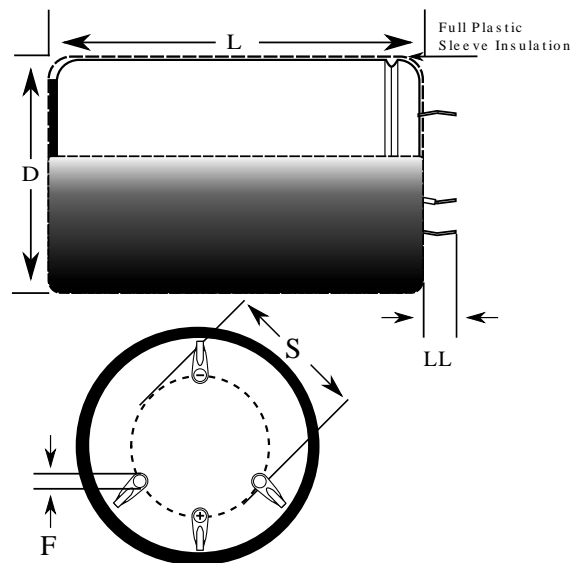


# A561EC151M450C

aka PEH534YDB3150M4

Capacitor, aluminum, 150 uF, +/-20% Tol, -40/+105C, 450V@105C



## Dimensions (mm)

ID	Dimension	Tolerance
D	35	+1/-0
L	25	+/-2
S	22.5	+/-0.1
LL	6.3	+/-1
F	2	+/-0.1

## Specifications

<b>Manufacturer:</b>	KEMET
<b>Capacitance:</b>	150 uF
<b>Rated Temperature:</b>	105C
<b>Voltage @ rated temp:</b>	450V
<b>Life @ rated temp:</b>	4000 h
<b>Temperature Range:</b>	-40/+105C
<b>RoHS:</b>	Yes
<b>Low ESR:</b>	Yes
<b>Climate Category:</b>	40/105/56
<b>Tolerance:</b>	+/-20%
<b>Part Type Description:</b>	Radial Cylindrical Aluminum Electrolytic
<b>Style:</b>	Snap - In
<b>Lead Type:</b>	Hooked Terminals
<b>Lead Form:</b>	StandardPin
<b>Lead Specification:</b>	4pin
<b>ESR at 100Hz @ room temp:</b>	570 mOhm
<b>ESR at 100kHz @ room temp:</b>	330 mOhm
<b>Leakage Current:</b>	203 uA
<b>Leakage Condition:</b>	5min/20C
<b>Ripple 100Hz @ rated temp:</b>	900 mA
<b>Miscellaneous Electrical:</b>	series (PEH534)
<b>Package Quantity:</b>	200
<b>Packaging:</b>	Bulk