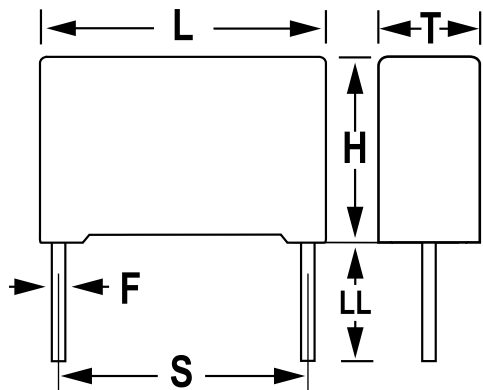


**KEMET Part Number: PHE840MA5470MA02R17**  
(F840AH473M275A)

PHE840M/F840, Film, Metallized Polypropylene, Safety, 0.047 uF, 20%, 275 VAC (X2), 760 VDC, 105°C, Lead Spacing = 10mm



General Information	
Supplier:	KEMET
Series:	PHE840M/F840
Dielectric:	Metallized Polypropylene
Style:	Radial
Features:	EMI Safety
RoHS:	Yes
Lead:	Wire Leads
Qualifications:	ENEC, UL, cUL
Notes:	Not For New Design, Please Check Possible Alternative Parts (AltPart)

Dimensions	
L	13mm MAX
H	10.5mm MAX
T	4.5mm MAX
S	10mm +/-0.4mm
LL	17mm NOM
F	0.6mm NOM

Specifications	
Capacitance:	0.047 uF
Capacitance Tolerance:	20%
Voltage AC:	275 VAC (X2)
Voltage DC:	760 VDC
Temperature Range:	-55/+105C
Rated Temperature:	105°C
Dissipation Factor:	0.10% 1kHz, 0.20% 10kHz, 0.60% 100kHz
Insulation Resistance:	30 GOhms
Max dV/dt:	100 V/us
Safety Class:	X2

Packaging Specifications	
Packaging:	Bulk, Bag
Packaging Quantity:	1000