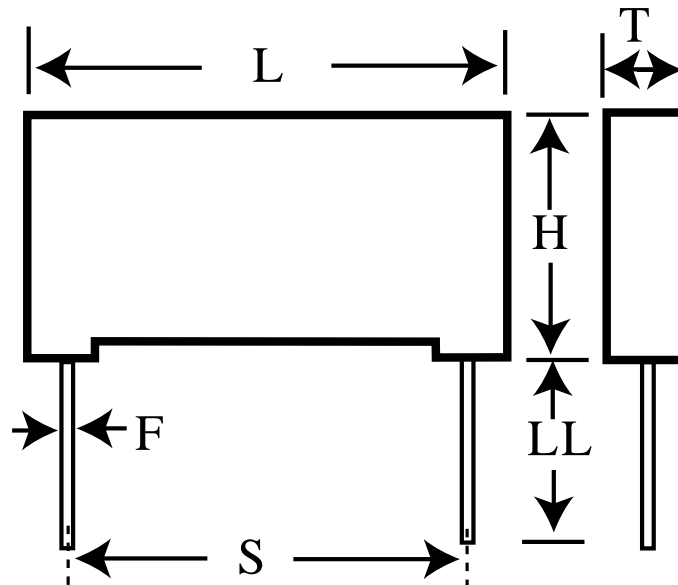


PHE850EB5470MB14R17

aka F850BV473M300A

Capacitor, film, 0.047 uF, 20% Tol, 1250V@85C, Lead Spacing=15mm



Dimensions (mm)

Specifications

ID	Dimension	Tolerance	Manufacturer:	KEMET
L	18	max	Brand:	Rifa
H	17.5	max	Application:	Safety:Y
T	9.5	max	Capacitance:	0.047 uF
S	15	+/-0.4	Tolerance:	20%
LL	17	nom	Temperature Range:	-55/+110C
F	0.8	nom	Climate Category:	55/105/56
			Voltage DC @ 85C:	1250V
			Voltage DC @ 100C:	1250V
			Voltage DC @ 105C:	1250V
			Voltage DC @ 110C:	1250V
			Voltage AC:	300VAC
			Voltage AC Temperature:	110C
			Approval UL:	Yes
			Approval ENEC:	Yes
			Approval CUL:	Yes
			Approval CSA:	No
			Dielectric:	Metallized Polypropylene
			Construction:	Non Inductive
			Dissipation Factor @ 1 KHz:	0.15%
			Dissipation Factor @ 10 KHz:	0.2%
			Dissipation Factor @ 100KHz:	0.6%
			Insulation Resistance:	30 GOhm
			Maximum dVdT:	100v/s
			Body Type:	Radial Box
			Package Kind:	Bulk
			Package Quantity:	300
			Miscellaneous Electrical:	Rated 480VAC UL, cUL, CSA