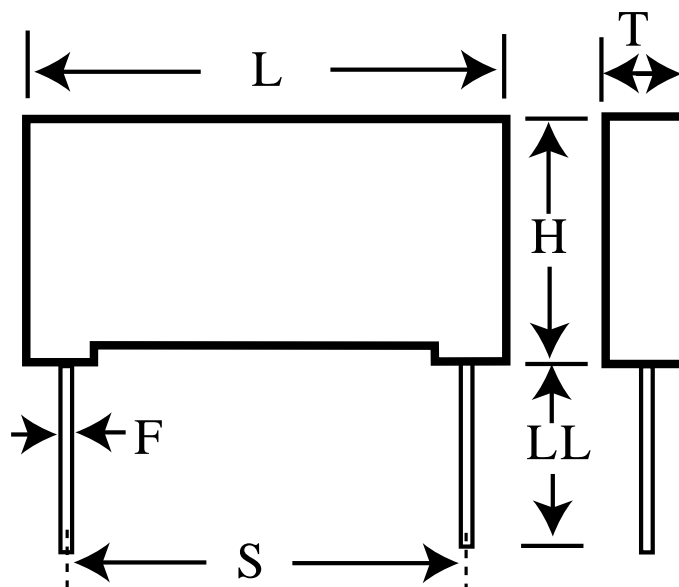


PHE850ED6220MD20R06L2

aka F850DW224M300C

Capacitor, film, 0.22 uF, 20% Tol, 1250V@85C, Lead Spacing=22.5mm



Dimensions (mm)

ID	Dimension	Tolerance
L	26	max
H	23	max
T	13.5	max
S	22.5	+/-0.4
LL	6	nom
F	0.8	nom

Specifications

Manufacturer:	KEMET
Brand:	Rifa
Application:	Safety:Y
Capacitance:	0.22 uF
Tolerance:	20%
Temperature Range:	-55/+110C
Climate Category:	55/105/56
Voltage DC @ 85C:	1250V
Voltage DC @ 100C:	1250V
Voltage DC @ 105C:	1250V
Voltage DC @ 110C:	1250V
Voltage AC:	300VAC
Voltage AC Temperature:	110C
Approval UL:	Yes
Approval ENEC:	Yes
Approval CUL:	Yes
Approval CSA:	No
Dielectric:	Metallized Polypropylene
Construction:	Non Inductive
Dissipation Factor @ 1 KHz:	0.15%
Dissipation Factor @ 10 KHz:	0.4%
Insulation Resistance:	30 GOhm
Maximum dVdT:	100v/s
Body Type:	Radial Box
Package Kind:	Bulk
Package Type:	Tray
Package Quantity:	200
Miscellaneous Electrical:	Rated 480VAC UL, cUL, CSA