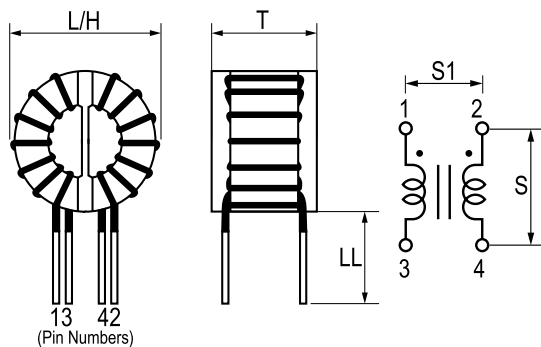


KEMET Part Number: SC-02-800
(UALSC028000000)

KEMET, SC, AC Line Filters, Common Mode, 8000 uH



Dimensions	
L	34mm MAX
T	23mm MAX
H	34mm MAX
LL	15mm +/-2mm
S	20mm NOM

Packaging Specifications	
Packaging:	Tray
Packaging Quantity:	200
Weight:	25 g

General Information	
Series:	SC
Style:	Through-Hole
RoHS:	Yes
Notes:	Lead Spacing (S/S1) Are For Reference Only.
Miscellaneous:	Temperature Rise Maximum: 40 K

Specifications	
Voltage AC:	250 VAC
Inductance:	8 mH
Current:	2 A
Temperature Range:	-25/+105C
DC Resistance:	150 mOhms