

THIS DRAWING AND THE DESIGN IT DISCLOSES ARE THE PROPERTY OF KILOVAC CORP., AND IT IS ISSUED IN CONFIDENCE FOR ENGINEERING INFORMATION ONLY. THE DRAWING AND OR DESIGN MAY NOT BE REPRODUCED, DISCLOSED TO OUTSIDERS OR USED FOR ANY OTHER PURPOSE WITHOUT THE PRIOR EXPRESS CONSENT OF KILOVAC. THE DRAWING IS LOANED FOR MUTUAL ASSISTANCE AND IS SUBJECT TO RECALL AT ANY TIME.

PHASE SEQUENCE RELAY, MODEL 901-SX SERIES

SPECIFICATIONS:

- NOMINAL INPUT VOLTAGE : 440V. $\pm 10\%$, 3 PHASE
- NOMINAL INPUT FREQUENCY: 55-65 Hz
- POWER CONSUMPTION: 2VA
- OUTPUT CONTACTS : 1NO, 1NC ISOLATED FROM EACH OTHER
- CONTACT RATING : 3A. RESISTIVE, 120VAC, 10A RES. 28VDC
- OPERATING TEMPERATURE: -40°C TO $+95^{\circ}\text{C}$
- VIBRATION : PER MIL-STD-167-1 TYPE I
- SHOCK : PER MIL-S-901 GRADE A, CLASS I, TYPE A LIGHT.
- OPERATION : THE RELAY REMAINS DE-ENERGIZED WHEN VOLTAGE IN THE PROPER PHASE SEQUENCE (A-B-C) IS APPLIED, AND IS ENERGIZED WHEN THE PHASE SEQUENCE IS REVERSED (B-A-C). THE CONTACTS ARE SHOWN IN THE DE-ENERGIZED POSITION.
- CONSTRUCTION: SOLID STATE LOGIC, WITH ELECTROMECHANICAL OUTPUT RELAY ENCLOSED IN A STEEL HOUSING PLATED IN ACCORDANCE WITH MIL-T-10727. TYPE I. IT IS A MAINTENANCE FREE, NON-REPAIRABLE DEVICE MEETING THE REQUIREMENTS OF MIL-C-2212.
- NON-MAGNETIC ENCLOSURE OPTION:
UNITS ENCLOSED IN A SEALED, NON-MAGNETIC STAINLESS STEEL HOUSING ARE AVAILABLE. ADD -SS TO MODEL NO.

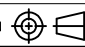
NOTES:

 SEE TABLE FOR CUSTOMER P/N AND MODEL NUMBER.

Tyco Electronics
Kilovac Division

CUSTOMER DRAWING

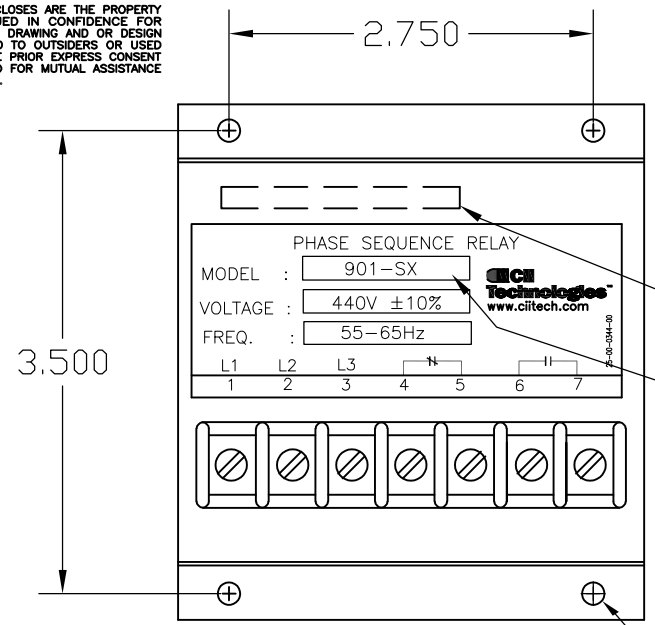
TE#	MODEL
1-1618095-6	901-SX
1-1618095-7	901-SX/S1
1-1618095-8	901-SX/S2
1-1618095-9	901-SX/S3

ITEM	DWG. NO.	QTY.	NOMENCLATURE OR DESCRIPTION
THIS DRAWING PREPARED IN ACCORDANCE WITH ASME/ANSI Y14.5M-1982			BILL OF MATERIALS
MACHINING STANDARDS, UNLESS OTHERWISE SPECIFIED		 CII Technologies™ P.O. Box 4422, Santa Barbara, CA 93140 Phone: (805)684-4560 Fax: (805)684-9679 E-Mail: info@kilovac.com Internet: http://www.kilovac.com	
FEATURES	SURFACE FINISH: $\frac{63}{125}$ EXTERNAL $\frac{125}{125}$ INTERNAL SHARP CORNERS: EXTERNAL R/CH .005 MAX INTERNAL R/CH .010 MAX	UNLESS OTHERWISE SPECIFIED, DIMENSIONS ARE IN INCHES. TOLERANCES ARE: FRACTIONS DECIMALS ANGLES $\pm 1/64$.XX = ± 0.01 $\pm 1'$.XXX = ± 0.005	
WORKMANSHIP	UNIFORM, FREE OF CRACKS, BURRS AND OTHER DEFECTS	DWG. TITLE RELAY, PHASE SEQUENCE	
IRON/STEEL	LIGHTLY COATED WITH CASTROL VS-4175 CORROSION INHIBITOR OR KILOVAC APPROVED EQUIVALENT	SIZE A CAGE CODE 18741 DWG. NO. SD-901-SX	SCALE 1:1 DO NOT SCALE DRAWING SHEET 1 OF 2
REV. F	DCO NO. 12673	EDITED BY RMAIN	DATE 2000-08-24

THIS DRAWING AND THE DESIGN IT DISCLOSES ARE THE PROPERTY OF KILOVAC CORP., AND IT IS ISSUED IN CONFIDENCE FOR ENGINEERING INFORMATION ONLY. THE DRAWING AND OR DESIGN MAY NOT BE REPRODUCED, DISCLOSED TO OUTSIDERS OR USED FOR ANY OTHER PURPOSE WITHOUT THE PRIOR EXPRESS CONSENT OF KILOVAC. THE DRAWING IS LOANED FOR MUTUAL ASSISTANCE AND IS SUBJECT TO RECALL AT ANY TIME.

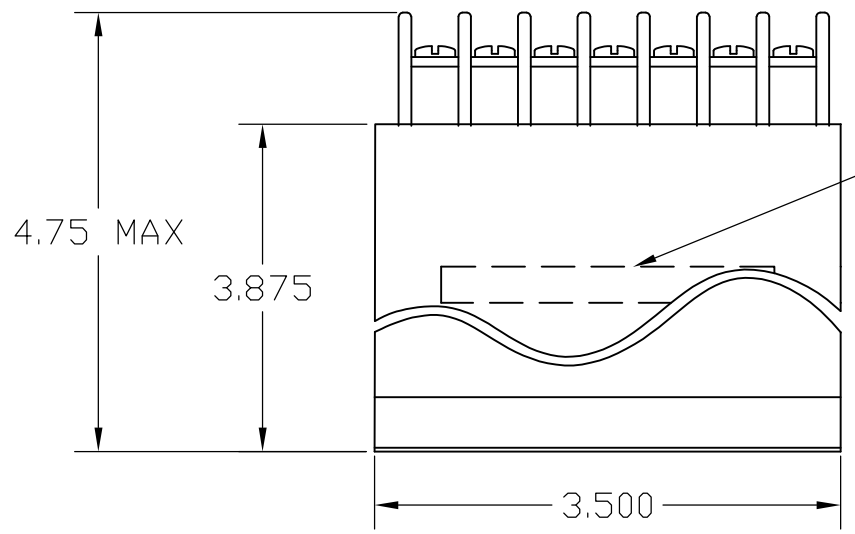
MODEL 901-SX SERIES

MODEL	CUSTOMER	CUSTOMER P/N	ESS TEST PROCEDURE
901-SX	-	-	
901-SX/S1	WARD LEONARD	W.L. 107.42-1 CAGE 63743	
901-SX/S2	WARD LEONARD	W.L. 107.42-2 CAGE 63743	QAR304
901-SX/S3	GEC ALSTROM	M129-B273	



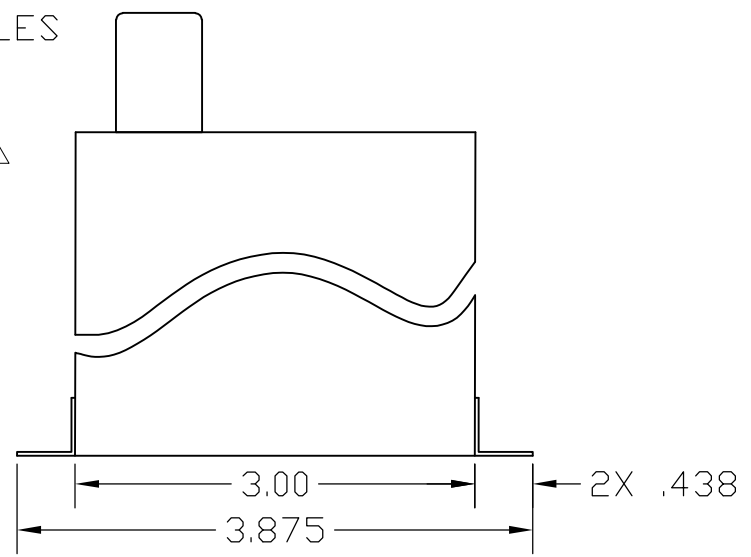
FOR 90-SX/S2 ONLY: $\triangle 1$
 STAMP SERIAL NO.
 IN .188 (3/16) CHARACTERS

MODEL $\triangle 1$



ϕ .172
 4 MTG. HOLES

CUSTOMER'S $\triangle 1$
 PART NUMBER



THIS DRAWING PREPARED IN ACCORDANCE WITH ASME/ANSI Y14.5M-1982

MACHINING STANDARDS, UNLESS OTHERWISE SPECIFIED		THIRD ANGLE PROJECTION	
FEATURES	SURFACE FINISH: 63 ✓ EXTERNAL 125 ✓ INTERNAL	SHARP CORNERS: EXTERNAL R/CH .005 MAX INTERNAL R/CH .010 MAX	UNLESS OTHERWISE SPECIFIED, DIMENSIONS ARE IN INCHES. TOLERANCES ARE: FRACTIONS DECIMALS ANGLES $\pm 1/64$.XX = ± 0.01 $\pm 1'$.XXX = ± 0.005
WORKMANSHIP	UNIFORM, FREE OF CRACKS, BURRS AND OTHER DEFECTS		
IRON/STEEL	LIGHTLY COATED WITH CASTROL VS-4175 CORROSION INHIBITOR OR KILOVAC APPROVED EQUIVALENT		

\perp $\pm .01$ $\textcircled{.005}$ $\square .005$

REV. DCO NO. 12673 EDITED BY RMAIN DATE 2000-08-24

ITEM	DWG. NO.	QTY.	NOMENCLATURE OR DESCRIPTION
BILL OF MATERIALS			
CITECH Technologies™			P.O. Box 4422, Santa Barbara, CA 93140 Phone: (805)684-4560 Fax: (805)684-9679 E-Mail: info@kilovac.com Internet: http://www.kilovac.com
DWG. TITLE			
RELAY, PHASE SEQUENCE			
SIZE	CAGE CODE	DWG. NO.	SD- 901-SX
A	18741		
SCALE	1:1	DO NOT SCALE DRAWING	SHEET 2 OF 2

Tyco Electronics
Kilovac Division

CUSTOMER DRAWING