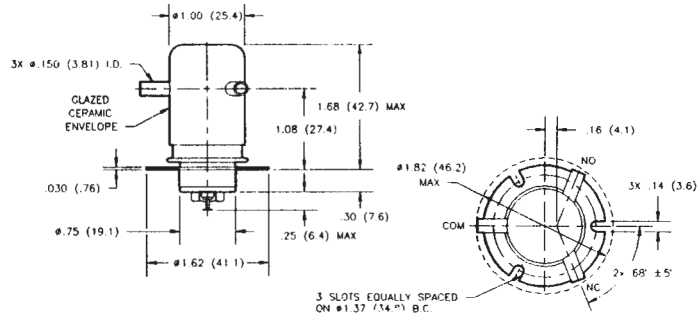
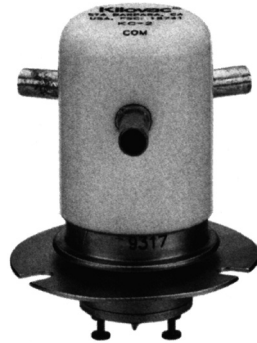


KC Series Make & Break Load Switching — 15 kV Relays (Continued)

KC-2
No Load Switching

Product Facts

- Vacuum dielectric for low and stable contact resistance
- Carries 50 Amps at DC; 10 Amps at 32 MHz
- Not designed for power switching



KC-8

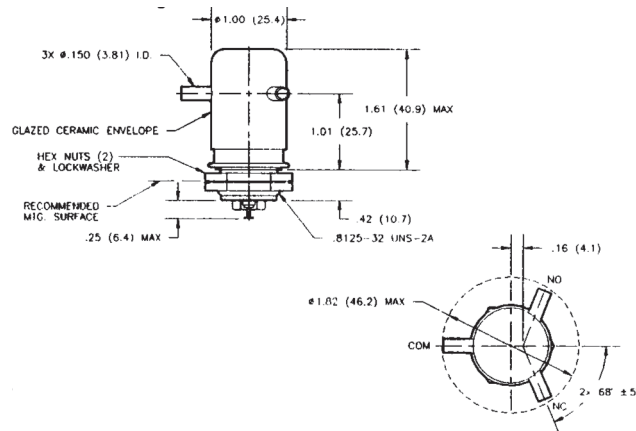
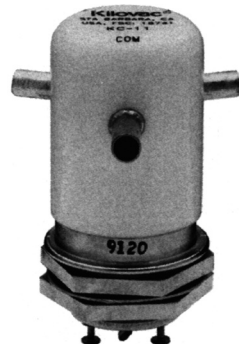
Product Facts for KC-8

- Not recommended for new design. See KC-14 on page 7-82 for replacement.

KC-11
No Load Switching

Product Facts

- Threaded base version of KC-2
- Vacuum dielectric for low leakage current applications



KC-12

Product Facts

- Not recommended for new design. See KC-18 on page 7-67 for replacement.
- Vacuum dielectric for power switching low current loads

Product Specifications for KC-2, KC-8, KC-11 and KC-12

Contact Arrangement — SPDT

Contact Form — C

Test Voltage, DC or 60 Hz (Peak) — 17 kV

Rated Operating Voltage (Peak) — DC or 60 Hz — 15 kV

2.5 MHz — KC-2 and KC-11 — 12 kV

16 MHz — KC-2 and KC-11 — 9 kV

32 MHz — KC-2 and KC-11 — 7 kV

Continuous Carry Current, Max. — DC or 60 Hz — KC-2 and KC-11 — 50 A
KC-8 and KC-12 — 30 A

2.5 MHz — KC-2 and KC-11 — 30 A

16 MHz — KC-2 and KC-11 — 17 A

32 MHz — KC-2 and KC-11 — 10 A

Coil Hi-Pot (Vrms, 60 Hz) — 500 A

For factory-direct application assistance, dial 800-253-4560, ext. 2055, or 805-220-2055.

Contact Capacitance — Between Open Contacts — 0.5 pF
Open Contacts to Ground — 1 pF

Contact Resistance, Max. — KC-2 and KC-11 — 0.012 ohm
KC-8 and KC-12 — 0.025 ohm

Operate Time, Max. — 15 ms

Release Time, Max. — 9 ms

Shock, 11ms, 1/2 Sine (Peak) — 50 g

Vibration — Peak — 10 g (55 to 500 Hz)

Operating Ambient Temperature Range — -55°C to +125°C

Mechanical Life — 1 million cycles

Weight, Nominal — 85 g (3 oz.)

Coil Data

Nominal Volts DC	12 Vdc	26.5 Vdc	115 Vdc
Pickup, Max.	8 Vdc	16 Vdc	80 Vdc
Dropout	.5-5 Vdc	1-10 Vdc	5-50 Vdc
Coil Resistance (±10%)			
KC-2 and KC-11	60 Ω	250 Ω	3500 Ω
KC-8 and KC-12	48 Ω	180 Ω	2900 Ω

Ratings listed are for 25°C, sea level conditions

Ordering Information

Sample Part Number ▶

Series: _____ **KC- 2 /12Vdc**

Model: _____
2 8 11 12

Coil Voltage: _____
Blank = 26.5 Vdc /12Vdc = 12 Vdc /115Vdc = 115 Vdc