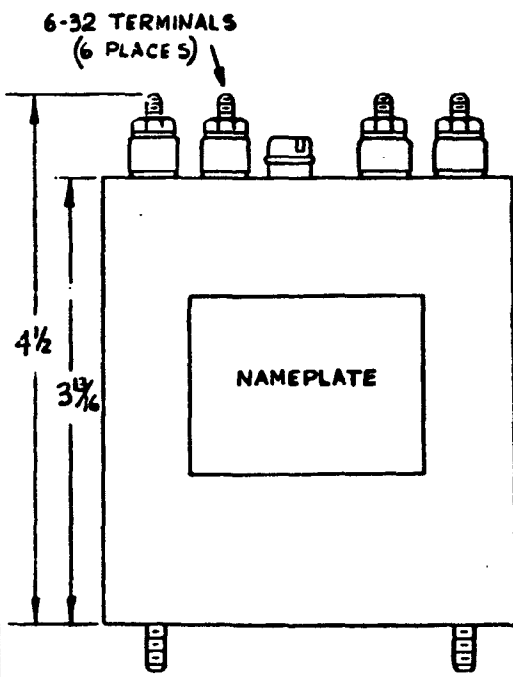
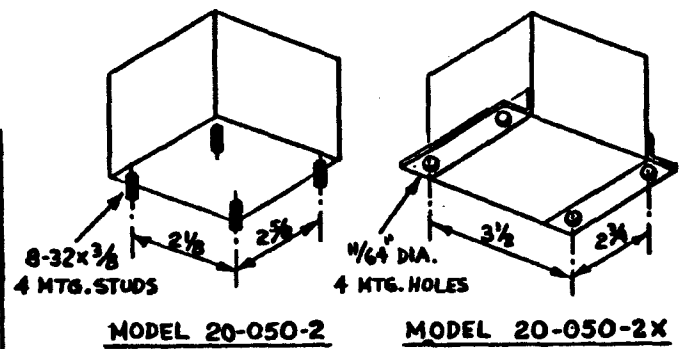


SPECIFICATIONS

INPUT VOLTAGE: 120 VAC $\pm 10\%$, SINGLE PHASE
FREQUENCY TRIP RANGE: 45 - 66 HZ., ADJUSTABLE
DIFFERENTIAL: FREQUENCY PICK UP TO DROP OUT DIFFERENTIAL, 1% MAXIMUM.
TEMPERATURE RANGE: -20°C TO +85°C
TEMPERATURE DRIFT: 1% FREQUENCY ERROR OVER TEMPERATURE RANGE.
VOLTAGE ERROR: $\pm 1\%$ FOR INPUT VOLTAGE OF 120VAC $\pm 10\%$
CONTACTS RATING: 5 AMP. RESISTIVE AT 28VDC OR 120VAC
CONTACTS FORM: ONE SET N.O., ONE SET N.C.
CONSTRUCTION: SOLID STATE SENSOR WITH RELAY OUTPUT, ENCLOSED IN A SEALED STEEL CAN.
OPERATION: THE NORMALLY OPEN CONTACTS CLOSE, AND THE NORMALLY CLOSED CONTACTS SET OPEN, AT ALL FREQUENCIES ABOVE THE SET POINT.
 THE CONTACTS IN THE CONNECTION DIAGRAM ARE SHOWN IN THE DE-ENERGIZED POSITION, (BELOW THE TRIP SET POINT).



MOUNTING CONFIGURATIONS



- ### NOTES
- REMOVE SCREW FOR ACCESS TO TRIP ADJUSTMENT.
 - CLOCKWISE ROTATION OF THE ADJUSTING POTENTIOMETER WILL RAISE THE FREQUENCY PICK-UP POINT.

U.L. RECOGNIZED
FILE #E58048

QTY REQD	SYM	DESCRIPTION	CODE IDENT NO.	PART NO.	SPEC	MATERIAL OR NOTE	ITEM NO.
LIST OF MATERIAL							
UNLESS OTHERWISE SPECIFIED DIMENSIONS ARE IN INCHES TOLERANCES ARE FRACTIONS DECIMALS ANGLES $\pm 1/32$ $\pm .010$ $\pm 1/2^\circ$		CONTRACT NO.		WILMAR ELECTRONICS INC.			
		DRAWN	E.R.H.	11-14-78	2020 ANSLER STREET TOPPANCE, CALIFORNIA 94158		
MATERIAL:		CHECKED	2ea	11-14-78	TITLE		
		DESIGN APPROVAL			FREQUENCY SENSITIVE RELAY MODEL 20-050-2 (x)		
APPROVAL		PROJECT APPROVAL			FEDERAL ACTIVITY APPROVAL		
		APPROVAL			SIZE	CODE IDENT NO.	DWS NO.
					B	25248	21-084
					SCALE	WEIGHT	SHEET