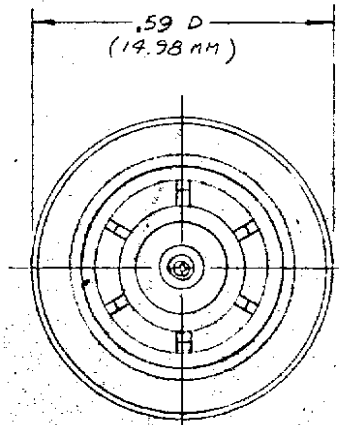
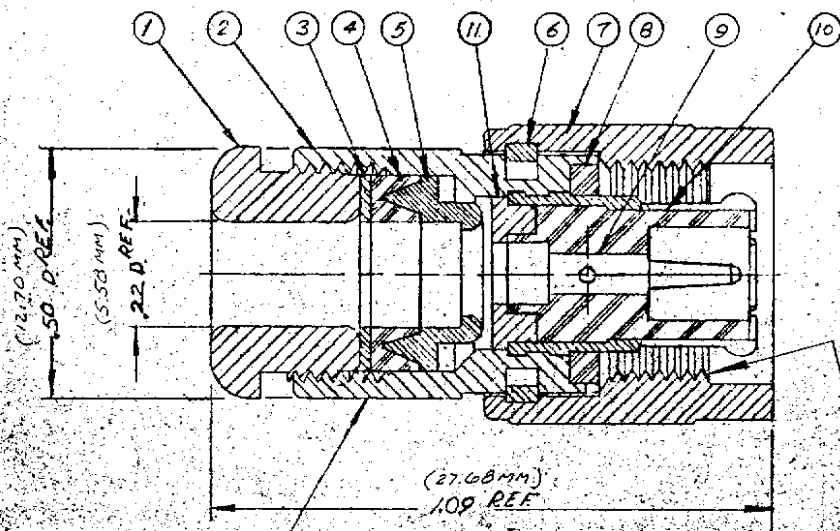


KA-51-18

REVISIONS

CHANGES	
0	ER6355 22 AUG 68 A.M.E.
1	CN 7808 C R.H.W. 4 JUN 69
2	CN 8085 A W.L.A. 26 NOV 69
3	CN 11892 A J.G.L. 2 FEB 73
4	CN 13446 A JL 24 MAY 74
5	CN 25033 C GL 9 SEP 83



7/16 - 28 UNEF - 28 TH.D.

STAMP: KINGS KA-51-18

NOTES

- FOR USE WITH CABLES: RG-55, 59 & 223/U
- FOR CABLING INSTRUCTIONS SEE CP-1004

11	1	BUSHING	
10	1	INSULATOR	
9	1	BNC CONTACT M	1-540-9M07
8	1	GASKET	
7	1	COUPLING	
6	1	C-RING	
5	1	BRAID CLAMP	704-5-MC7
4	1	GASKET	704-6-M39
3	1	WASHER	89C-1-MC7
2	1	BODY ASSEMBLY	
1	1	CLAMP NUT	704-7-MC7

ITEM	REQ'D	DESCRIPTION	DRAWING NO.
------	-------	-------------	-------------

REP.

FINISH

SPEC. KER 10004

MATL.

SPEC.

TNC PLUG

DRAWN AVE DATE 22 AUG 68

APPR. EGR DATE 22 AUG 68

KINGS ELECTRONICS
40 MARLBOROUGH ROAD
TUCKAHOE, N. Y. 10707

KA-51-18

UNLESS OTHERWISE SPECIFIED:
 1. TOLERANCES: FRACTIONS ± .010 DECIMALS ± .004 ANGLES ± 0° 30' T. I. R. CONCENTRICITY OF ANY 2 DIAMETERS MAY NOT EXCEED THE SUM OF THEIR TOLERANCES.
 2. REMOVE ALL BURRS, BREAK SHARP EDGES .005 MAX.
 3. NO FILLETS PERMITTED.
 4. SURFACE ROUGHNESS 63 MICROINCHES RMS MAX.
 5. ALL DIMENSIONS PRIOR TO PLATING.

UNICECEN 1984 Approved Tracing Station 8515

S-D