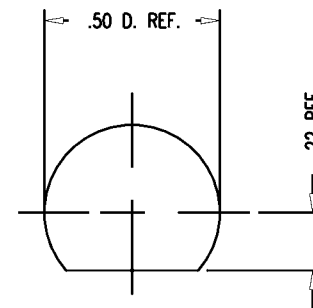
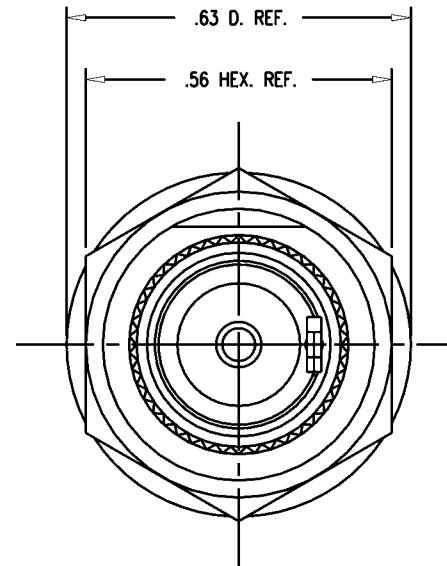
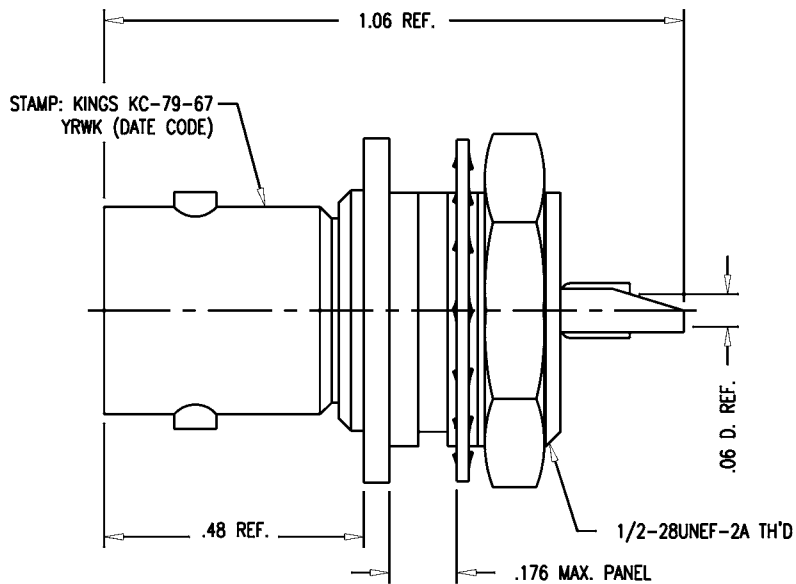


GSD

KC-79-67



MOUNTING HOLE

GSD

REVISIONS

ISSUE	CHANGES
18	CN 33598 E REDRAWN JCA 12/12/91
19	CN 37846 C TML 06/07/99
20	CN 38655 C BDH 11/15/02

NOTES:

1. INTERFACE PER MIL-STD-348, FIG. 301-2.
2. SAME AS KC-79-67-MC7 EXCEPT FINISH & MARKING.
3. MATERIALS:
 INSULATORS: TEFLON, ASTM-D-1457
 LOCKWASHER: PHOS. BRONZE, QQ-B-750
 CENTER CONTACT } BER. COP., ASTM-B-196
 LUG }
 ALL OTHER PARTS: BRASS, ASTM-B16
4. FINISHES:
 CENTER CONTACT: SILVER PLATE PER QQ-S-365
 ALL OTHER METAL PARTS: KINGS TARNISH RESISTANT FINISH (TR-5)
5. ELECTRICAL CHARACTERISTICS:
 NOMINAL IMPEDANCE: 50 OHMS
 VOLTAGE RATING: 500 VRMS
 FREQUENCY RANGE: DC TO 4 GHz
 DIELECTRIC WITHSTANDING VOLTAGE: 1500 VRMS
 INSULATION RESISTANCE: 5000 MEGOHMS MIN.
 CONTACT RESISTANCE: CENTER-2.0 MILLIOHMS MAX.

JCA2286

SCALE 4:1	
APPROX SURFACE AREA	
USED ON	
REF: TEKTRONIX 131-274-00-AG	
RECEPTACLE, ISOLATED GROUND, BNC	
DRAWN JCA	DATE 12/12/91
DESIGN MJB	DATE 12/16/91
APPR.	DATE

KINGS
 ELECTRONICS CO., INC.
 ROCK HILL, SOUTH CAROLINA 29730

KC-79-67