

LOC	DIST	REV	DESCRIPTION	DATE	DMN	APPD
-	-	P	TR			
-	-	A	NEW DRAWN	07/04/14	NC	

NOTES

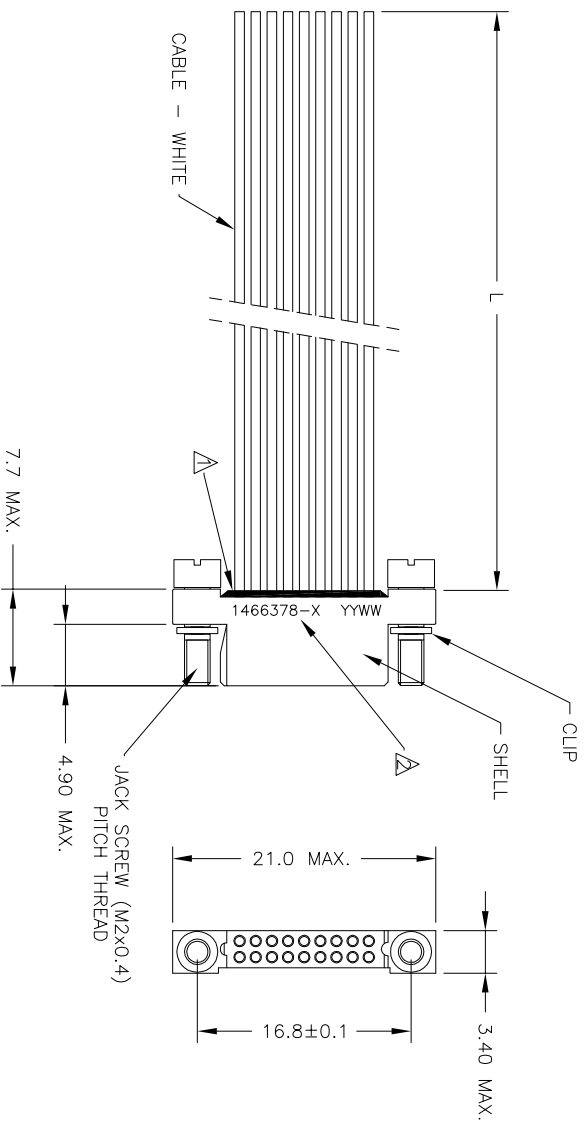
- △ POTTING LEVEL 1.5 MIN - 2.0 MAX
- △ TE PART NUMBER AND DATE CODE PRINTED ON SHELLS, MICRODOT P/N PRINTED ON SHELL FOR -2 ONLY (SEE TABLE)

3. SPECIFICATION:

- a. ELECTRICAL:
 CONTACT RESISTANCE : 25 MILLIVOLTS MAX. AT 3 AMPS
 CURRENT RATING : 3 AMP MAX. PER CONTACT
- b. MECHANICAL:
 CONTACT ENGAGING FORCE : 2.22 N MAX. PER CONTACT
 CONTACT SEPARATION FORCE : 0.14 N MIN. PER CONTACT

- c. MATERIAL:
 SHELL : 20% GLASS FILLED PBT, COLOUR : BLACK
 CONTACT : COPPER ALLOY
 JACK SCREW : STAINLESS STEEL
 CLIP : STAINLESS STEEL

- d. CABLE : PER MIL-W-16878, 28 AWG, 7 STRANDS
- e. FINISH:
 CONTACTS : GOLD PLATED PER MIL-G-45204, TYPE II, CLASS 1.
 JACK SCREW : PASSIVATE PER QQ-P-35.



-	575±25	1466378-3
MCA G18PX1020	475±25	1466378-2
-	475±25	1466378-1
MICRODOT P/N PRINTED ON PART	LENGTH "L"	PART NUMBER

THIS DRAWING IS A CONTROLLED DOCUMENT.

DMN NIKHIL C 07/04/14	CHK EUGENE GEORGE 07/04/14	NAME MCA 18 PIN ASSEMBLY MCACT-18PX
APPROVALS LAVES PETRONIIN 07/04/14	PRODUCT SPEC	APPLICATION SPEC
MATERIAL	FINISH	WEIGHT
DIMENSIONS: mm		
TOLERANCES UNLESS OTHERWISE SPECIFIED:		
0 PLG	±	
1 PLG	±	
2 PLG	±	
3 PLG	±	
4 PLG	±	
ANGLES	±	

STE TE Connectivity

SIZE CAGE CODE DRAWING NO
 A300779 C=1466378

CUSTOMER DRAWING SCALE NTS SHEET 1 of 1 REV A