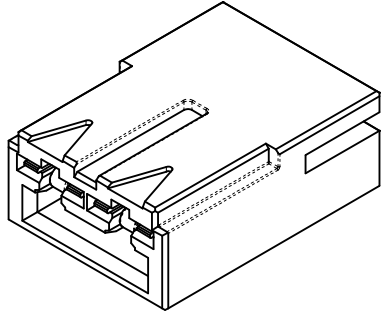
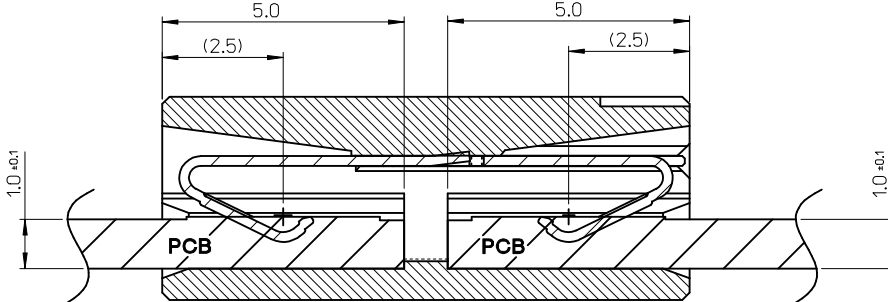
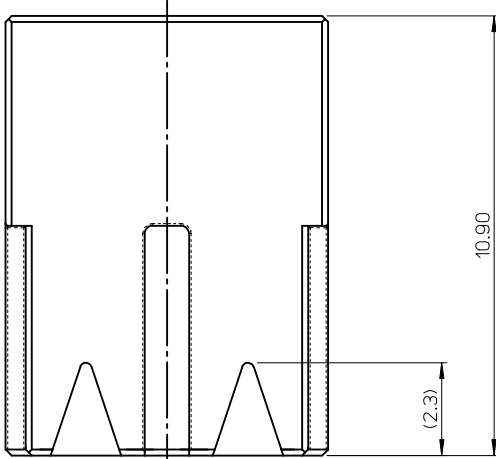
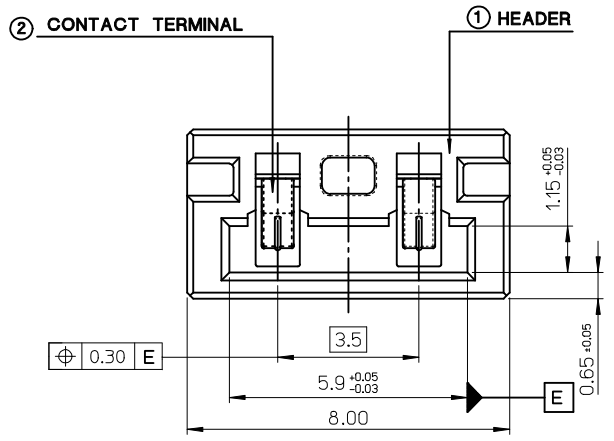
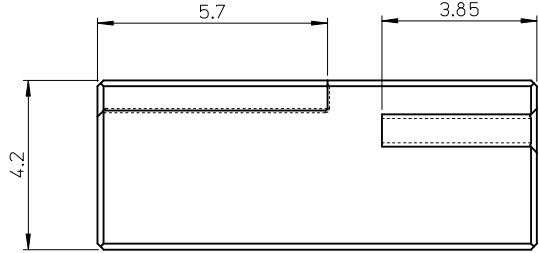
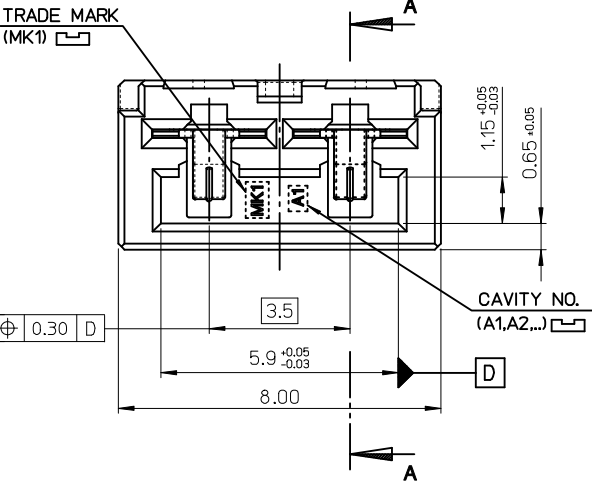


10 9 8 7 6 5 4 3 2 1



[SECTION A-A]
(S=1.2:1)

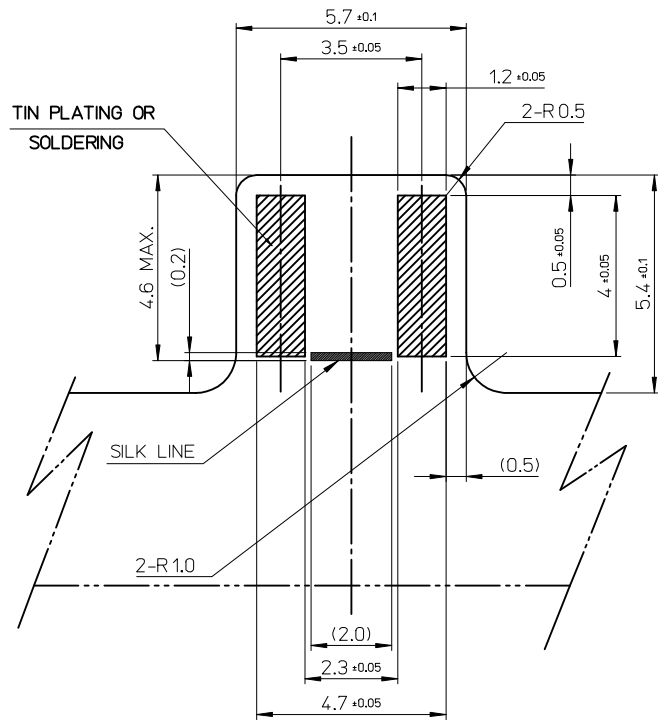


NOTE
 1. MATERIALS
 ① - HEADER : LIQUID CRYSTAL POLYMER(LCP), UL94V-0, GLASS FILLED, HALOGEN FREE, COLOR OF NATURAL
 ② - CONTACT TERMINAL : PHOSPHOR BRONZE
 2. FINISHES
 - CONTACT TERMINAL :
 PURE-TIN PLATING ON OVERALL.
 THICKNESS 2.0μm~4.0μm
 UNDER PLATING Ni OVERALL.
 THICKNESS 1.25μm~3.75μm

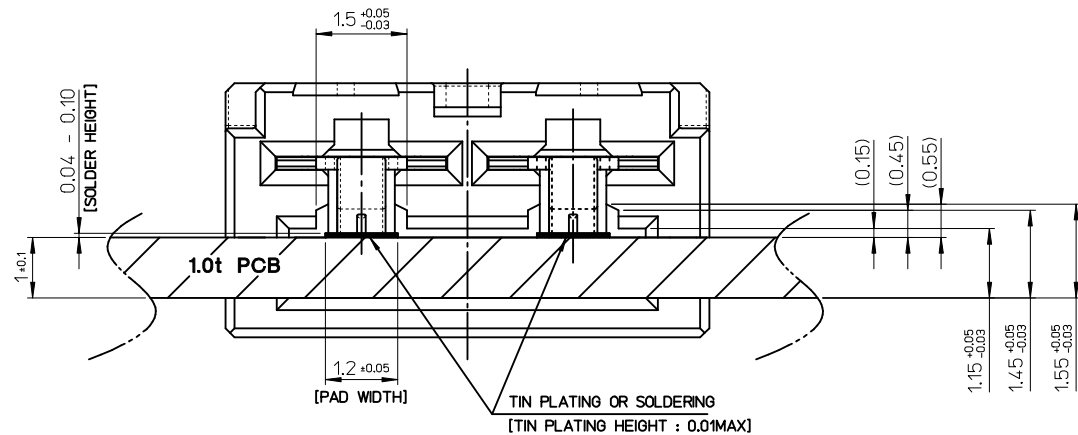
RELEASED EC NO: KOR2014-0120 DRWN: SCHONG03 CHKD: SHCHU APPR: YSK1M02	DESCRIPTION A	QUALITY SYMBOLS	GENERAL TOLERANCES (UNLESS SPECIFIED)	DIMENSION STYLE	SCALE	DESIGN UNITS	THIRD ANGLE PROJECTION
		▽=0 ∇=0	mm INCH	MM ONLY	5/1	METRIC	
			4 PLACES ± --- ± ---	DRAWN BY DATE	TITLE		
			3 PLACES ± --- ± ---	CHECKED BY DATE	3.5MM LED DIRECT TYPE		
	2 PLACES ± 0.15 ± ---	APPROVED BY DATE	CONN. -2P (B-TYPE)				
	1 PLACE ± 0.20 ± ---	MATERIAL NO.	HEADER ASS'Y				
	0 PLACE ± --- ± ---	1041670210	molex				
	ANGULAR ± 1 °	DOCUMENT NO.	SD-104167-001				
	DRAFT WHERE APPLICABLE	SHEET NO.	1 OF 2				
	MUST REMAIN WITHIN DIMENSIONS						

ORDER NO.	104167-0210
SCALE	5/1
DESIGN UNITS	METRIC
THIRD ANGLE PROJECTION	
TITLE	3.5MM LED DIRECT TYPE CONN. -2P (B-TYPE) HEADER ASS'Y
molex	
DOCUMENT NO.	SD-104167-001
SHEET NO.	1 OF 2
THIS DRAWING CONTAINS INFORMATION THAT IS PROPRIETARY TO MOLEX INCORPORATED AND SHOULD NOT BE USED WITHOUT WRITTEN PERMISSION	

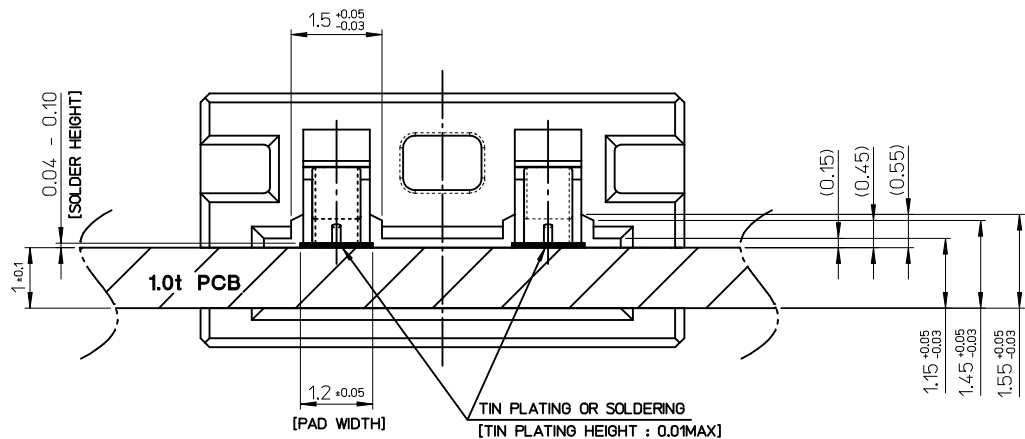
9 8 7 6 5 4 3 2 1



[1.0t PCB PATTERN]



**MATED CONDITION
[FRONT VIEW]**



**MATED CONDITION
[BACK VIEW]**

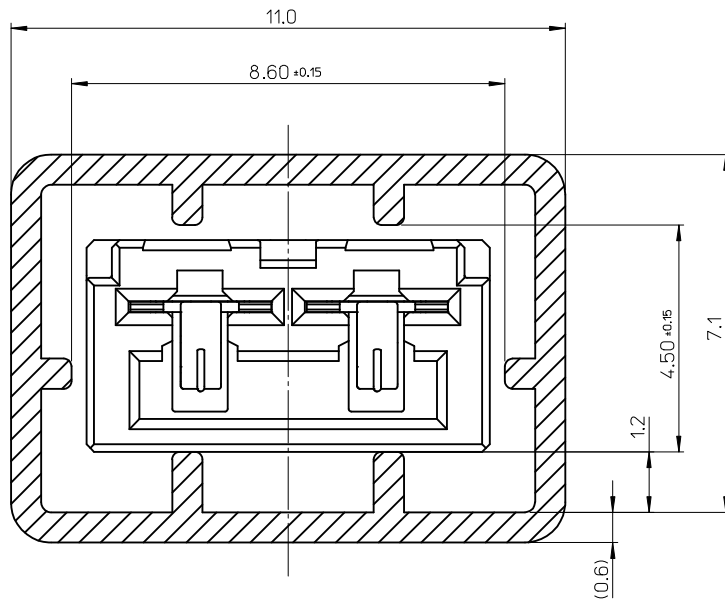
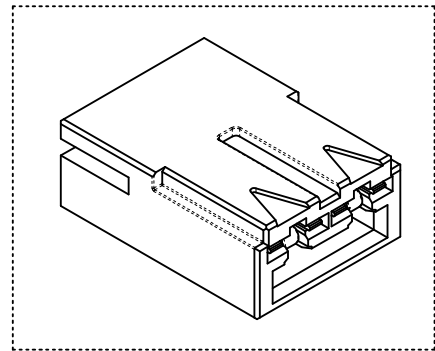
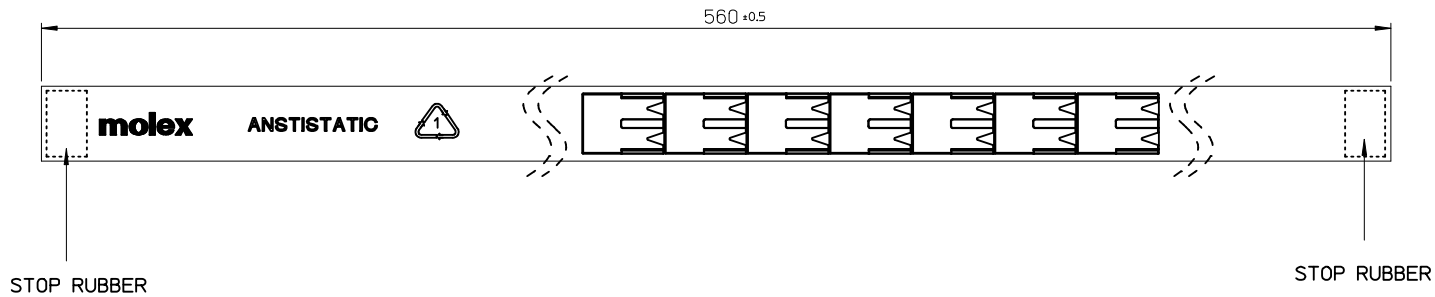
RELEASED	EC NO: KOR2014-0120	2014/04/22
	DRWN: SCHONG03	2014/04/22
	CHKD: SHCHU	2014/04/22
	APPR: YSK1M02	2014/04/22
REV	DESCRIPTION	
A		

QUALITY SYMBOLS	▽=0	
	◻=0	
GENERAL TOLERANCES (UNLESS SPECIFIED)	mm	INCH
	4 PLACES	± --- ± ---
	3 PLACES	± --- ± ---
	2 PLACES	± 0.15 ± ---
	1 PLACE	± 0.20 ± ---
	0 PLACE	± --- ± ---
ANGULAR ± 1 °		
DRAFT WHERE APPLICABLE MUST REMAIN WITHIN DIMENSIONS		

DIMENSION STYLE	
MM ONLY	
DRAWN BY	DATE
SCHONG03	2014/04/22
CHECKED BY	DATE
SHCHU	2014/04/22
APPROVED BY	DATE
YSK1M02	2014/04/22
MATERIAL NO.	
1041670210	
SIZE	
A3	

ORDER NO.	104167-0210
SCALE	5/1
DESIGN UNITS	METRIC
THIRD ANGLE PROJECTION	
TITLE	
3.5MM LED DIRECT TYPE CONN. -2P (B-TYPE) HEADER ASS'Y	
molex	
MATERIAL NO.	DOCUMENT NO.
1041670210	SD-104167-001
SHEET NO.	2 OF 2
THIS DRAWING CONTAINS INFORMATION THAT IS PROPRIETARY TO MOLEX INCORPORATED AND SHOULD NOT BE USED WITHOUT WRITTEN PERMISSION	

10 9 8 7 6 5 4 3 2 1



NOTES.

- ① 1. PACKING QUANTITY : 48 PCS / TUBE
- 2. TOTAL TUBE LENGTH : 560mm±1mm
- 3. BURRS : 0.20mm MAX

ORDER NO.	104167-0210
DIMENSION STYLE	MM ONLY
SCALE	10/1
DESIGN UNITS	METRIC
THIRD ANGLE PROJECTION	

RELEASED EC NO: KOR2014-0120 DRWN: SCHONG03 CHKD: SHCHU APPR: YSK1M02	QUALITY SYMBOLS	GENERAL TOLERANCES (UNLESS SPECIFIED)	DRAWN BY	DATE
	▽=0	mm INCH	SCHONG03	2014/04/22
	∇=0	4 PLACES ± --- ± ---	CHECKED BY	DATE
		3 PLACES ± --- ± ---	SHCHU	2014/04/22
		2 PLACES ± 0.15 ± ---	APPROVED BY	DATE
	1 PLACE ± 0.20 ± ---	YSK1M02	2014/04/22	
	0 PLACE ± --- ± ---			
		ANGULAR ± 1 °	MATERIAL NO.	
		DRAFT WHERE APPLICABLE MUST REMAIN WITHIN DIMENSIONS	SEE TABLE	

TITLE	3.5MM LED DIRECT TYPE CONN. -2P (B-TYPE) TUBE PACKING
molex	
DOCUMENT NO.	SD-104167-002
SHEET NO.	1 OF 1
THIS DRAWING CONTAINS INFORMATION THAT IS PROPRIETARY TO MOLEX INCORPORATED AND SHOULD NOT BE USED WITHOUT WRITTEN PERMISSION	

9 8 7 6 5 4 3 2 1