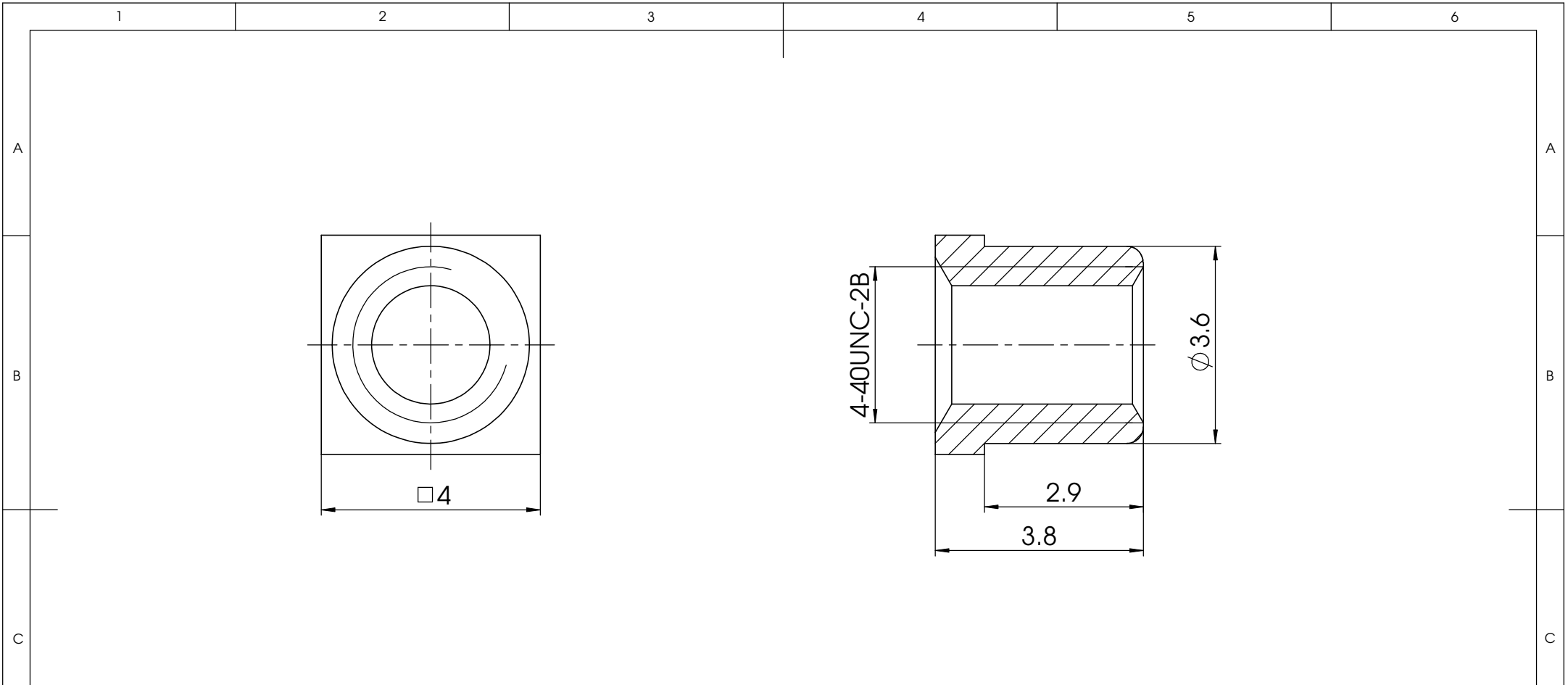
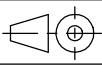


COMMENT:
 ALL RIGHTS ARE RESERVED BY US FOR THIS DRAWING. WITHOUT OUR PRIOR CONSENT,
 IT MAY NEITHER BE DUBLICATED NOR MADE AVAILABLE TO A THIRD PARTY,
 AND IT ALSO MAY NOT BE IMPROPERLY USED BY TE RECEIVER, OR A THIRD PARTY.



③	F52M026M1046	Brass (nonmagnetic)	tin plated
③	F52M026M1000	Brass (nonmagnetic)	blank
②	F52M026M145	Brass	tin plated
	<i>Part No.</i>	<i>Material</i>	<i>Surface plating / Colour / Class</i>
		 Measurement without tolerance acc. to ISO 2768-m	SCALE 10:1
		TITLE Threaded insert 4-40	
		NAME / DATE	
		DRAWN Denzinger 12-02-2004	
		CHECKED BWittek 21-11-2011	
3	21-11-2011	23120	DWG.NO. F52M026_D
2	24-06-2009	22426	
1			
REV.	DATE	CH.-NO.	REPLACEMENT FOR:
			PAGES 1



DWG.NO. F52M026_D
 REV. 3