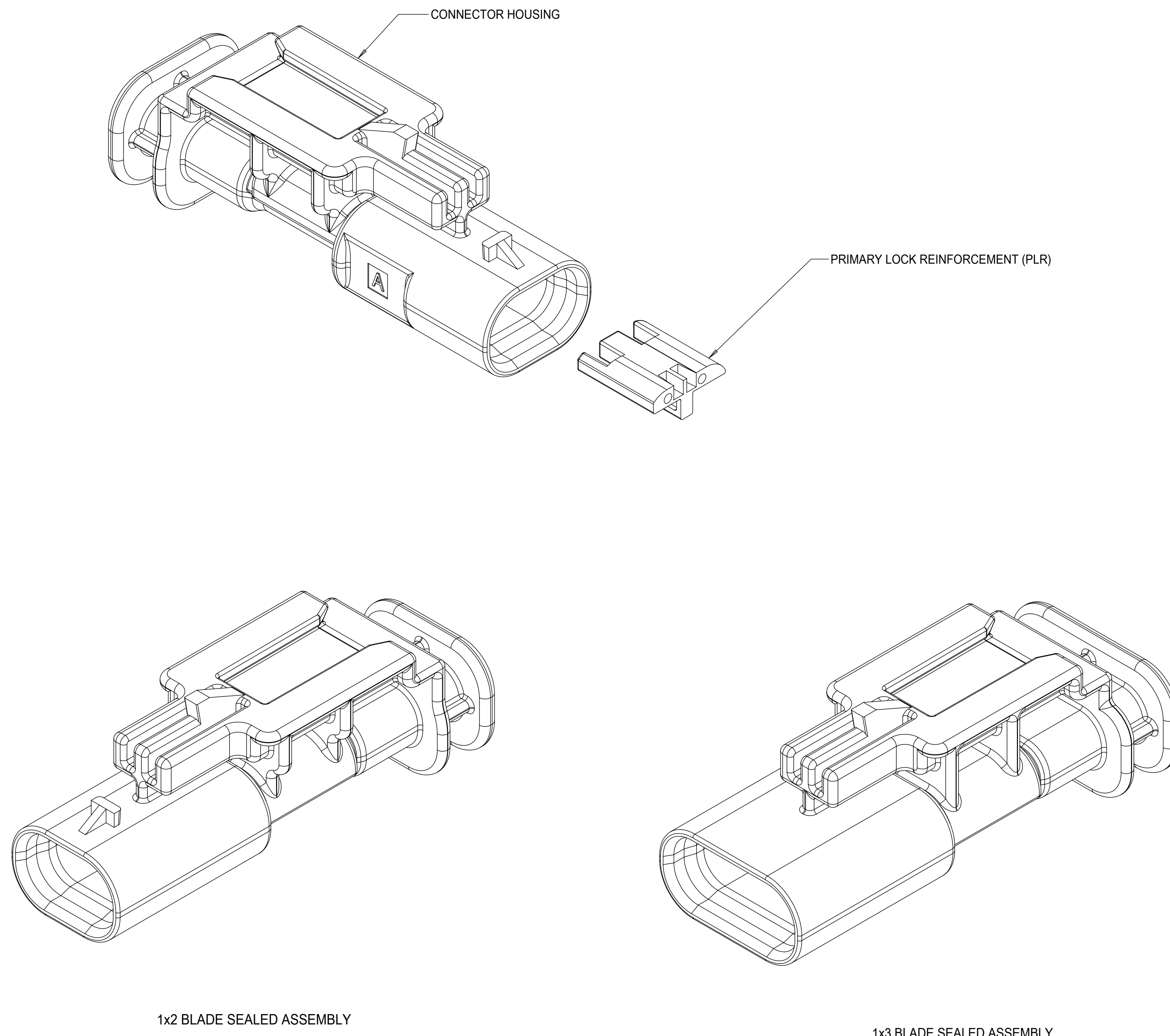


TABLE OF CONTENTS

SHEET NO.	SHEET DESCRIPTION
1	NOTES
2	1x2 BLADE SEALED ASSEMBLY KEYING CONFIGURATIONS
3	1x3 BLADE SEALED ASSEMBLY KEYING CONFIGURATIONS
4	CLIP-SLOT CONFIGURATIONS
5	BLADE SEALED ASSEMBLY
6	CONNECTION SYSTEM PACKAGING
7	WIRE DRESS COVER INTERFACE OPTIONS
8	1x2 BLADE SEALED ASSEMBLY BOM INTERFACE OPTION 1
9	1x2 BLADE SEALED ASSEMBLY BOM INTERFACE OPTION 2
10	1x3 BLADE SEALED ASSEMBLY BOM INTERFACE OPTION 1
11	1x3 BLADE SEALED ASSEMBLY BOM INTERFACE OPTION 2



NOTES: VALID UNLESS OTHERWISE SPECIFIED

1. GENERAL:
 - a. APPLICATION SPECIFICATION SEE: AS-34900-0001
CONTAINS: PRODUCT INTRODUCTION, PRODUCT SUMMARY, CONNECTOR ASSEMBLY, PACKAGING INFORMATION, CONNECTOR MATING, SERVICE INSTRUCTIONS, ELECTRICAL CONTINUITY CHECKING, CRIMPING, AND TROUBLESHOOTING.
 - b. PRODUCT SPECIFICATION SEE: PS-34900-0001
CONTAINS: PRODUCT INTRODUCTION, PRODUCT SUMMARY, RATINGS (CURRENT, TEMPERATURE, SEALING, AND FLAMMABILITY), AND PRODUCT VALIDATION.
 - c. PACKAGING SPECIFICATION PER MOLEX DRAWING: PK-31301-898
 - d. PARTS MUST BE IN COMPLIANCE TO MOLEX CHEMICAL SUBSTANCES FOR PRODUCTS AND PACKAGING SPECIFICATION: ES-40000-5016
 - e. DATA MUST BE SUBMITTED UNDER THE MOLEX PART NUMBER TO IMDS (COMPANY ID#13255)
2. DESIGN - MATERIALS:
 - a. SEE BOM TABLE
3. DESIGN - GEOMETRY:
 - a. THIS IS A 100% CAD GENERATED PART. THE CAD MATHEMATICAL DATA IS THE MASTER FOR THIS PART. FOR DIMENSIONAL OR ANY INFORMATION NOT SHOWN ON THIS DRAWING, ANALYZE THE CAD MODEL.
 - b. GEOMETRIC DIMENSIONS AND TOLERANCES PER ASME Y14.5M - 1994
 - c. EDGES AND UNDIMENSIONED DETAILS PER ISO13715
 - d. CORNERS SHOWN AS SHARP TO BE R 0.2 MAX.
 - e. LETTERING SHALL BE 0.15 MAX RAISED IN 0.25 MAX RECESS PAD. THIS INCLUDES RECYCLING CODE, CAVITY ID, VENDOR IDENTIFICATION,
 - f. VISUAL DEFECTS SHALL MEET COSMETIC STANDARD PS-45499-002 (Class B)
 - g. LASER MARKING:
 1. PART NUMBER
 2. DAY OF THE YEAR
 3. SHIFT
 4. YEAR

A16	CHANGED PNs TO OBSOLETE STATUS
A15	- NX-REMASTERING FROM MODEL MANAGER - 1x2 KEY C MOVED TO SALEABLE - 1X3 WDC INTERFACE 2 PART NUMBERS UPDATED TO MATCH E-DRAWING
A14	CORRECTED CHARTED DIMENSION 3 FOR 1X3 11MM CLIPSLOT
A13	1x3 KEY A&B SALEABLE (NON 40G)
A12	1X2 KEYS A&B W/ WDC SALEABLE
A11	CORRECTED REVISION LOG
A10	1X2,1X3 WIRE DRESS FEATURES OK TO TOOL
A9	1X2,1X3 PART # STATUS UPDATED
A8	1X2 40G CLIP-SLOT OK TO TOOL
A7	1X2,1X3 PART # UPDATED TO "TOOLED BUT NOT VALIDATED"
A6	ADDED 40G CLIP-SLOT PART NUMBERS
A5	BOM CORRECTIONS AND UPDATES
A4	BOM CORRECTIONS AND UPDATES
A3	1x2, 1x3 NON-SIR PART# OK TO TOOL
A2	ADDED 1x3 11mm CLIP-SLOT PART #
A	ADDED BLACK PART# AND MINOR BOM UPDATES
6	ADDED CLIP SLOT CONFIGURATIONS
5	1X3 BOM UPDATED
4	1X3 INLINE ASSY VIEWS ADDED
3	MINOR BOM CORRECTIONS
2	UPDATED PACKAGING DIMENSIONS
1	INITIAL RELEASE
REV	DESCRIPTION

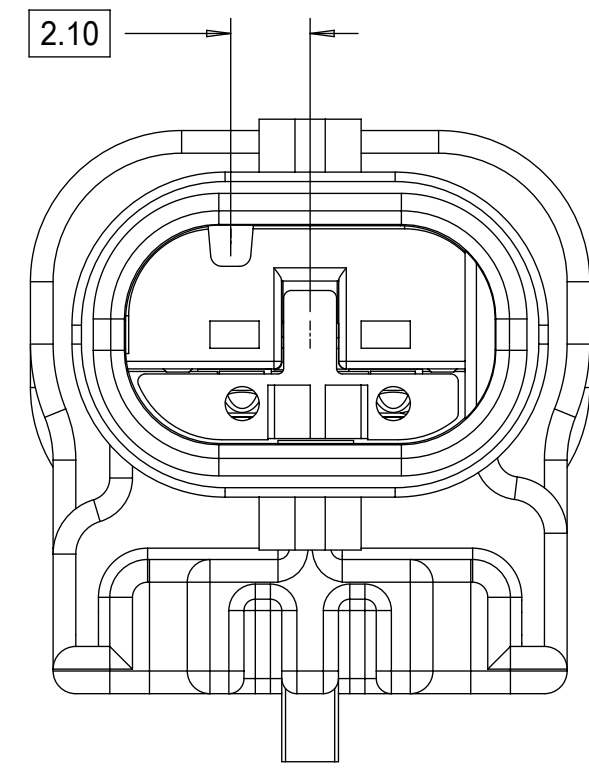
INSPECTION NUMBER LOG
LAST NUMBER USED:
ADDED:
REMOVED:

QUALITY SYMBOLS	THIS DRAWING CONTAINS INFORMATION THAT IS PROPRIETARY TO MOLEX ELECTRONIC TECHNOLOGIES, LLC AND SHOULD NOT BE USED WITHOUT WRITTEN PERMISSION	
▽ = 0	EC NO: 639764 DRWN: GELIOTTO1 CHKD: KBORUSZEWSKI REV APPR: KBORUSZEWSKI	GENERAL TOLERANCES (UNLESS SPECIFIED) DIMENSION UNITS: mm SCALE: 4:1 DRWN BY: SKRAJENDRANA DATE: 2013/11/06 CHKD BY: DATE APPR BY: DATE DRAWING SIZE: D THIRD ANGLE PROJECTION:
▽ = 0		ANGULAR TOL ± 3.0 ° 4 PLACES ± 3 PLACES ± 2 PLACES ± 0.1 1 PLACE ± 0.2 0 PLACES ± 0.5
▽ = 0		DRAFT WHERE APPLICABLE MUST REMAIN WITHIN DIMENSIONS
▽ = 0		DIMENSION UNITS: mm SCALE: 4:1 DRWN BY: SKRAJENDRANA DATE: 2013/11/06 CHKD BY: DATE APPR BY: DATE DRAWING SIZE: D THIRD ANGLE PROJECTION:
▽ = 0		DIMENSION UNITS: mm SCALE: 4:1 DRWN BY: SKRAJENDRANA DATE: 2013/11/06 CHKD BY: DATE APPR BY: DATE DRAWING SIZE: D THIRD ANGLE PROJECTION:
▽ = 0		DIMENSION UNITS: mm SCALE: 4:1 DRWN BY: SKRAJENDRANA DATE: 2013/11/06 CHKD BY: DATE APPR BY: DATE DRAWING SIZE: D THIRD ANGLE PROJECTION:
▽ = 0		DIMENSION UNITS: mm SCALE: 4:1 DRWN BY: SKRAJENDRANA DATE: 2013/11/06 CHKD BY: DATE APPR BY: DATE DRAWING SIZE: D THIRD ANGLE PROJECTION:
▽ = 0		DIMENSION UNITS: mm SCALE: 4:1 DRWN BY: SKRAJENDRANA DATE: 2013/11/06 CHKD BY: DATE APPR BY: DATE DRAWING SIZE: D THIRD ANGLE PROJECTION:
▽ = 0		DIMENSION UNITS: mm SCALE: 4:1 DRWN BY: SKRAJENDRANA DATE: 2013/11/06 CHKD BY: DATE APPR BY: DATE DRAWING SIZE: D THIRD ANGLE PROJECTION:
▽ = 0		DIMENSION UNITS: mm SCALE: 4:1 DRWN BY: SKRAJENDRANA DATE: 2013/11/06 CHKD BY: DATE APPR BY: DATE DRAWING SIZE: D THIRD ANGLE PROJECTION:

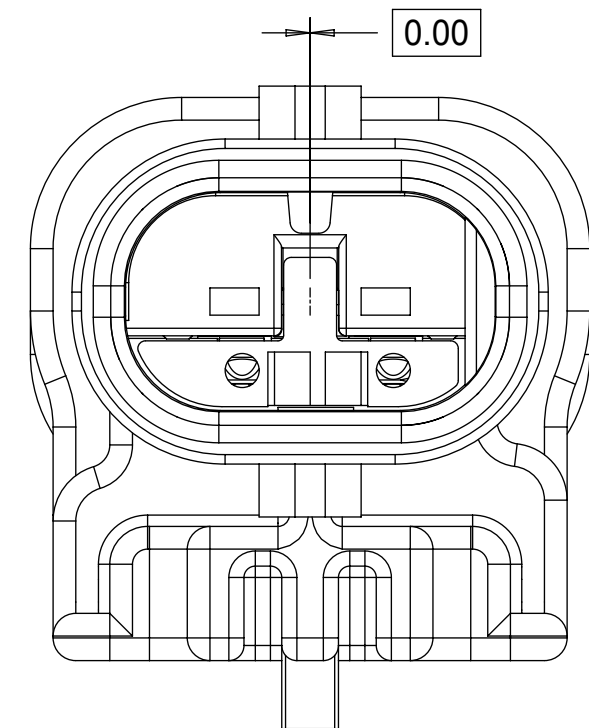
molex
1.2MM 1X2, 1X3 BLADE SEALED ASSEMBLY CABLE SEAL 639764 - REMOVED CPA3 AND REPLACED WITH CPA2 AGAIN

PRODUCT CUSTOMER DRAWING
SERIES: 34899 MATERIAL NUMBER: SEE BOM CUSTOMER: GENERAL MARKET
DOCUMENT NUMBER: SD-34899-2001 DOC TYPE: PSD DOC PART: 001 SHEET NUMBER: 1 OF 11

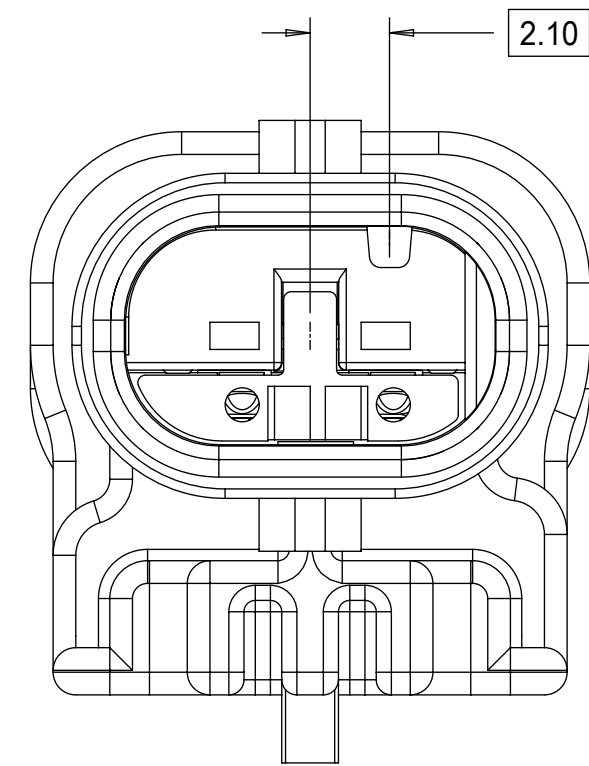
1x2 BLADE SEALED ASSEMBLY KEYING CONFIGURATIONS. FOR PART NUMBERS REFER TO BOM SHEET.



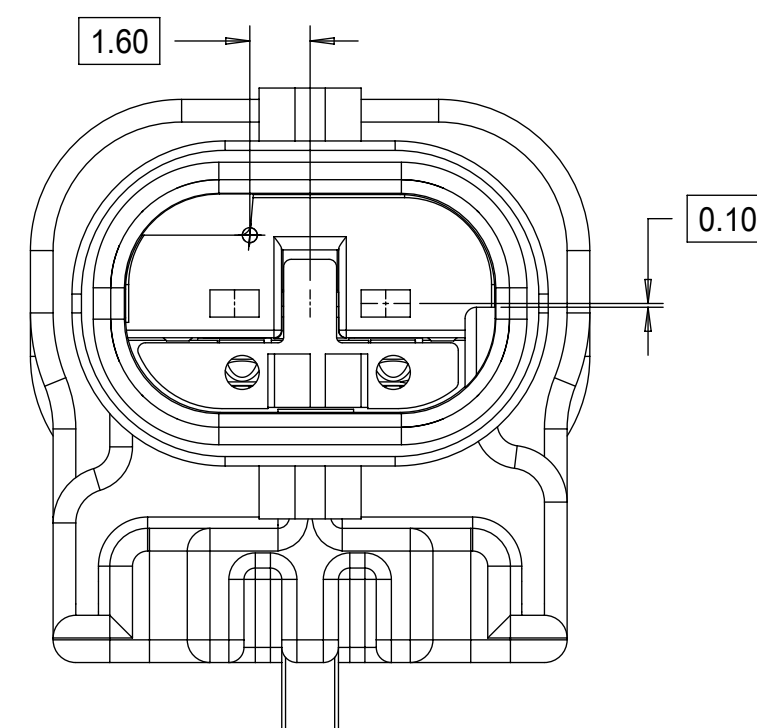
KEYING OPTION A




KEYING OPTION B



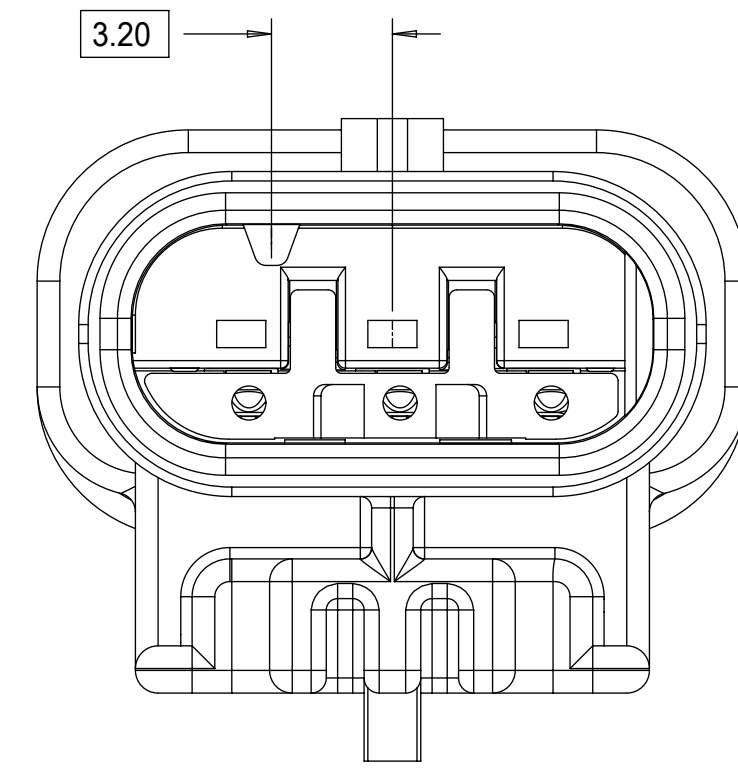
KEYING OPTION C



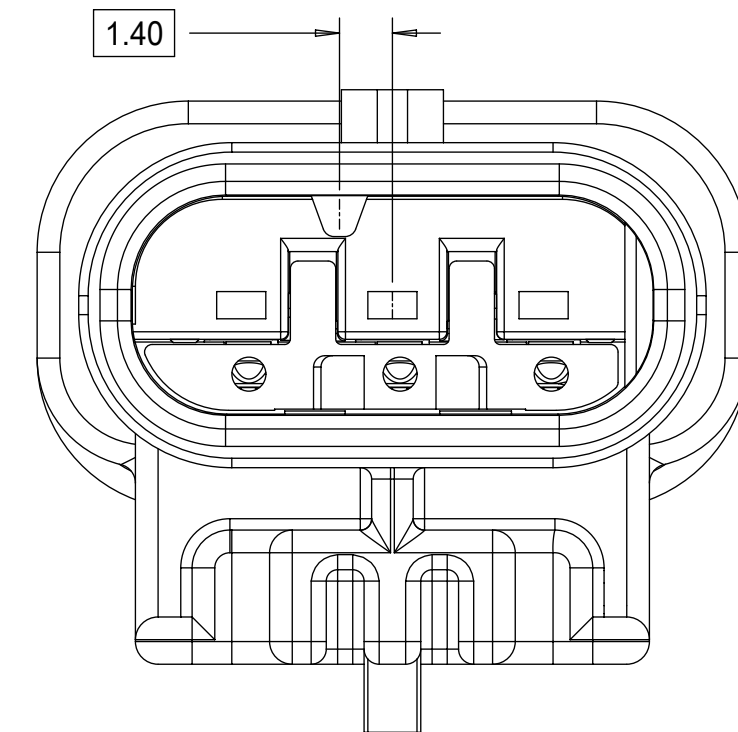
KEYING OPTION E

THIS DRAWING CONTAINS INFORMATION THAT IS PROPRIETARY TO MOLEX ELECTRONIC TECHNOLOGIES, LLC AND SHOULD NOT BE USED WITHOUT WRITTEN PERMISSION										
QUALITY SYMBOLS	EC NO: 639764 DRWN: GELLIOTTO1 CHKD: KBORUSZEWSKI REV APPR: KBORUSZEWSKI	GENERAL TOLERANCES (UNLESS SPECIFIED)		DIMENSION UNITS	SCALE	 1.2MM 1X2, 1X3 BLADE SEALED ASSEMBLY CABLE SEAL 639764 - REMOVED CPA3 AND REPLACED WITH CPA2 AGAIN				
		ANGULAR TOL ± 3.0 °		mm	5:1					
▽ = 0	2019/07/15	4 PLACES ±		DRWN BY	DATE	SKRAJENDRANA 2013/11/06				
▽ = 0	2020/06/23	3 PLACES ±		CHKD BY	DATE					
▽ = 0	2020/06/23	2 PLACES ± 0.1		APPR BY		DATE	PRODUCT CUSTOMER DRAWING			
▽ = 0		1 PLACE ± 0.2		DRAWING SIZE		THIRD ANGLE PROJECTION				
▽ = 0		0 PLACES ± 0.5		DRAFT WHERE APPLICABLE MUST REMAIN WITHIN DIMENSIONS		D	SERIES: 34899 MATERIAL NUMBER: SEE BOM CUSTOMER: GENERAL MARKET			
▽ = 0		DRAFT WHERE APPLICABLE MUST REMAIN WITHIN DIMENSIONS		DOCUMENT NUMBER: SD-34899-2001		DOC TYPE: PSD	DOC PART: 001	SHEET NUMBER: 2 OF 11		

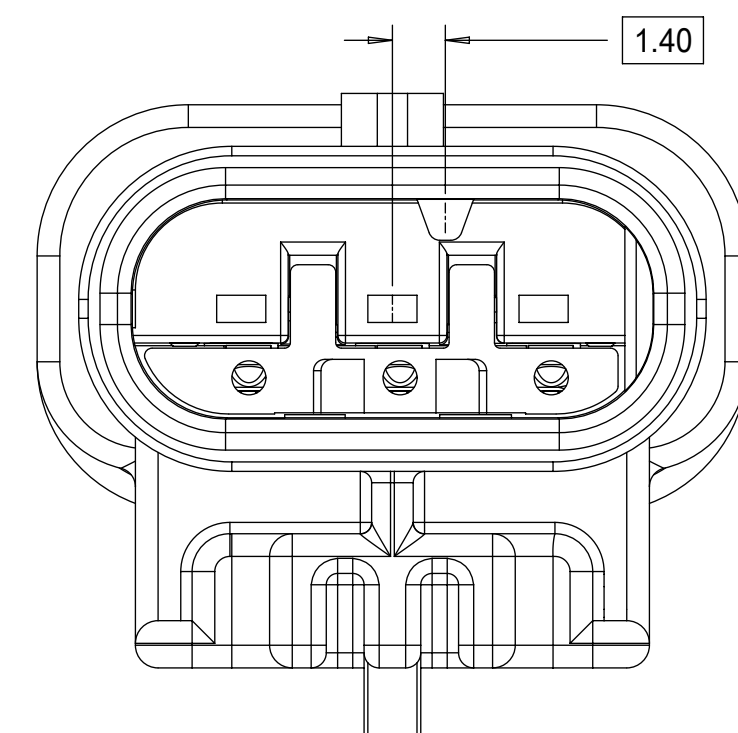
1x3 BLADE SEALED ASSEMBLY KEYING CONFIGURATIONS. FOR PART NUMBERS REFER TO BOM SHEET.



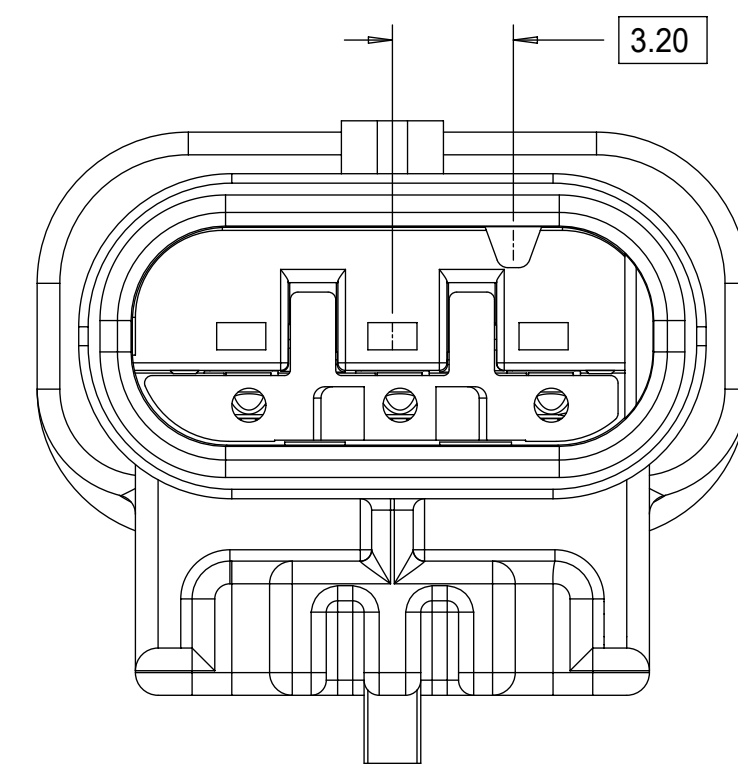
KEYING OPTION A



KEYING OPTION B



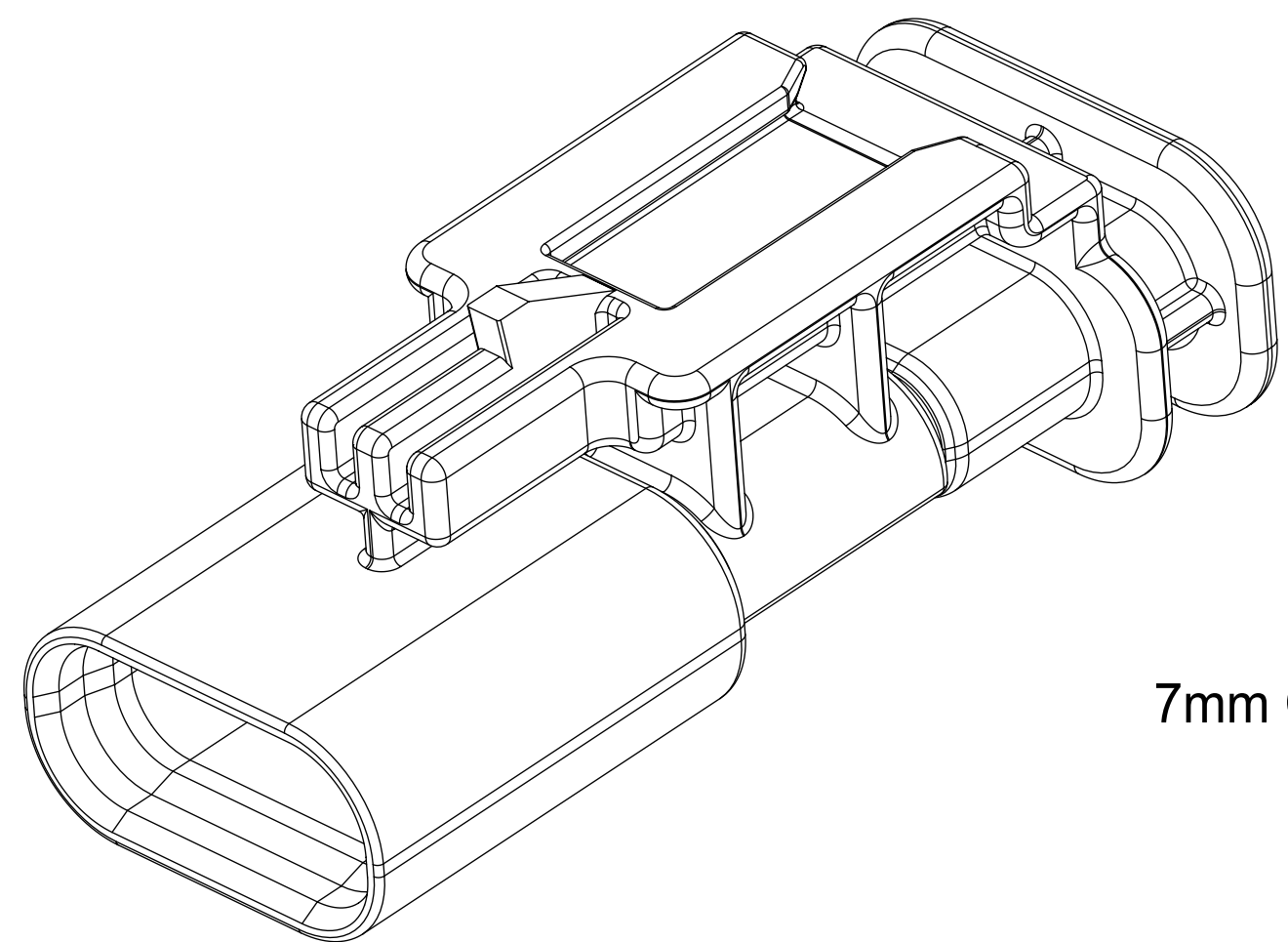
KEYING OPTION C



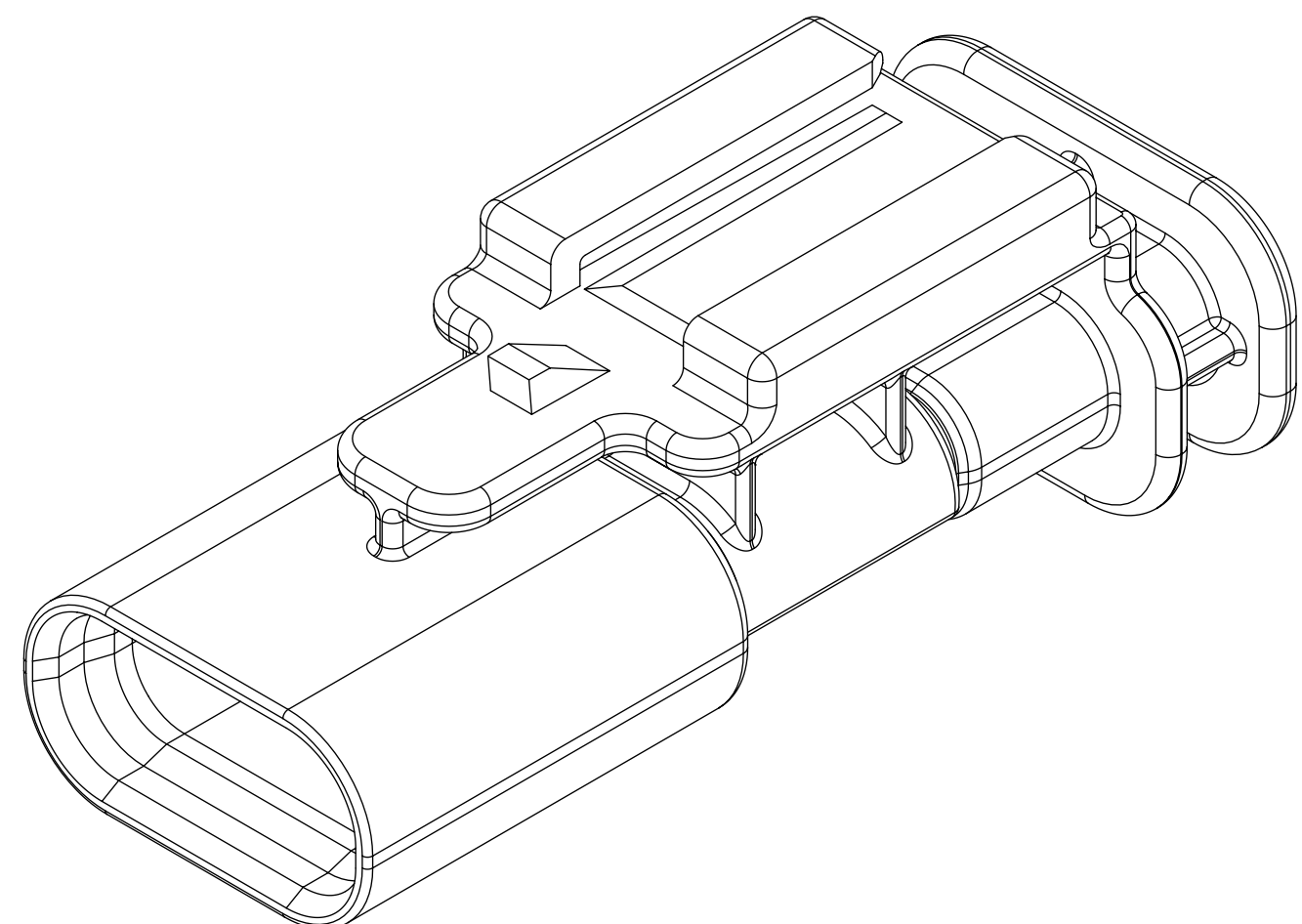
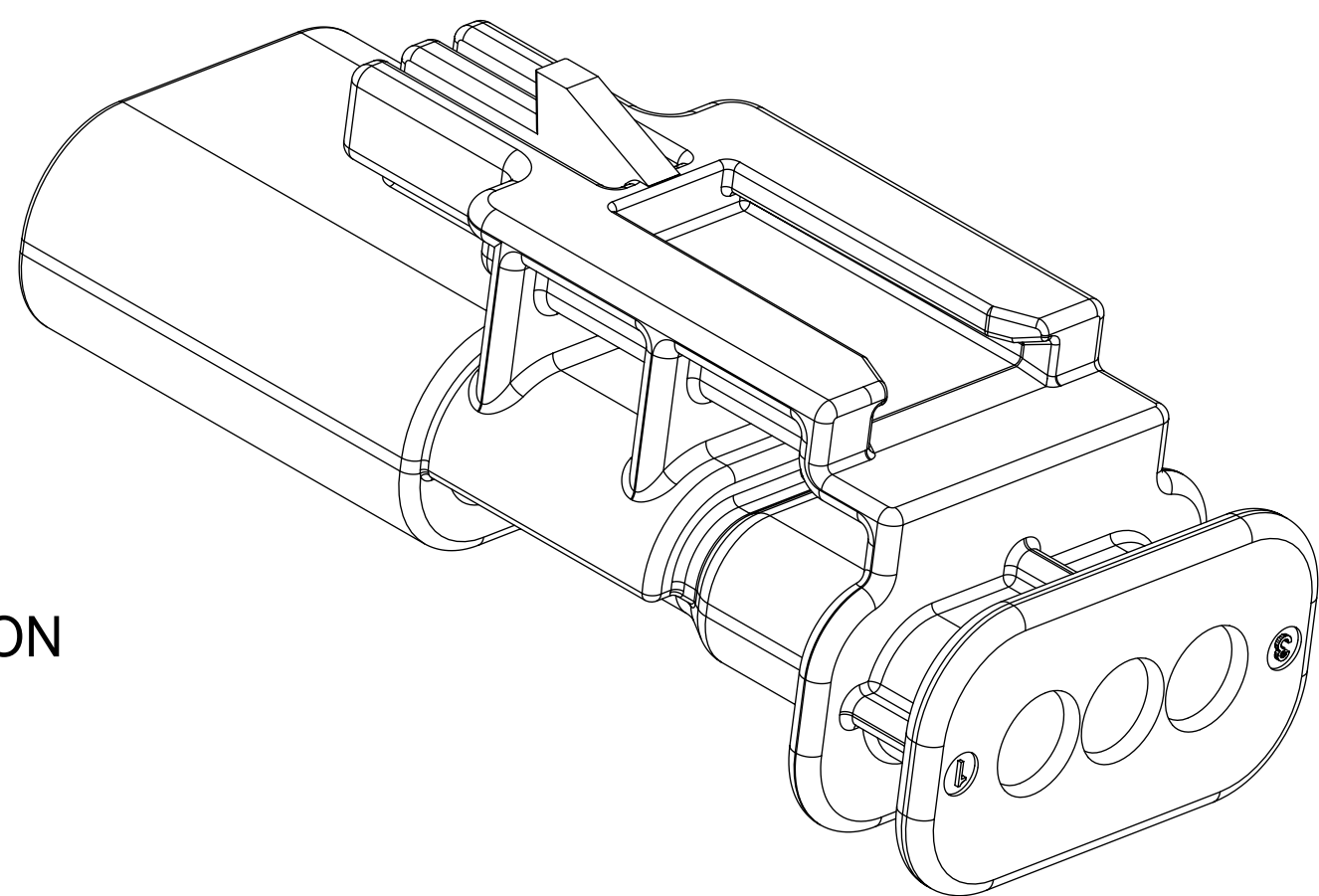
KEYING OPTION D

QUALITY SYMBOLS 	THIS DRAWING CONTAINS INFORMATION THAT IS PROPRIETARY TO MOLEX ELECTRONIC TECHNOLOGIES, LLC AND SHOULD NOT BE USED WITHOUT WRITTEN PERMISSION										
	EC NO: 639764 DRWN: GELLIOTTO1 CHKD: KBORUSZEWSKI REV APPR: KBORUSZEWSKI	2019/07/15	2020/06/23	2020/06/23	GENERAL TOLERANCES (UNLESS SPECIFIED)		DIMENSION UNITS	SCALE			
		ANGULAR TOL ± 3.0 °			mm	5:1					
	4 PLACES ±		SKRAJENDRANA		DATE	2013/11/06		1.2MM 1X2, 1X3 BLADE SEALED ASSEMBLY CABLE SEAL 639764 - REMOVED CPA3 AND REPLACED WITH CPA2 AGAIN			
	3 PLACES ±		DATE								
	2 PLACES ± 0.1		APPR BY		DATE		PRODUCT CUSTOMER DRAWING				
	1 PLACE ± 0.2		DATE								
	0 PLACES ± 0.5		DRAWING SIZE		THIRD ANGLE PROJECTION		SERIES: 34899 MATERIAL NUMBER: SEE BOM CUSTOMER: GENERAL MARKET		DOCUMENT NUMBER: SD-34899-2001 DOC TYPE: PSD DOC PART: 001 SHEET NUMBER: 3 OF 11		
	DRAFT WHERE APPLICABLE MUST REMAIN WITHIN DIMENSIONS		D								

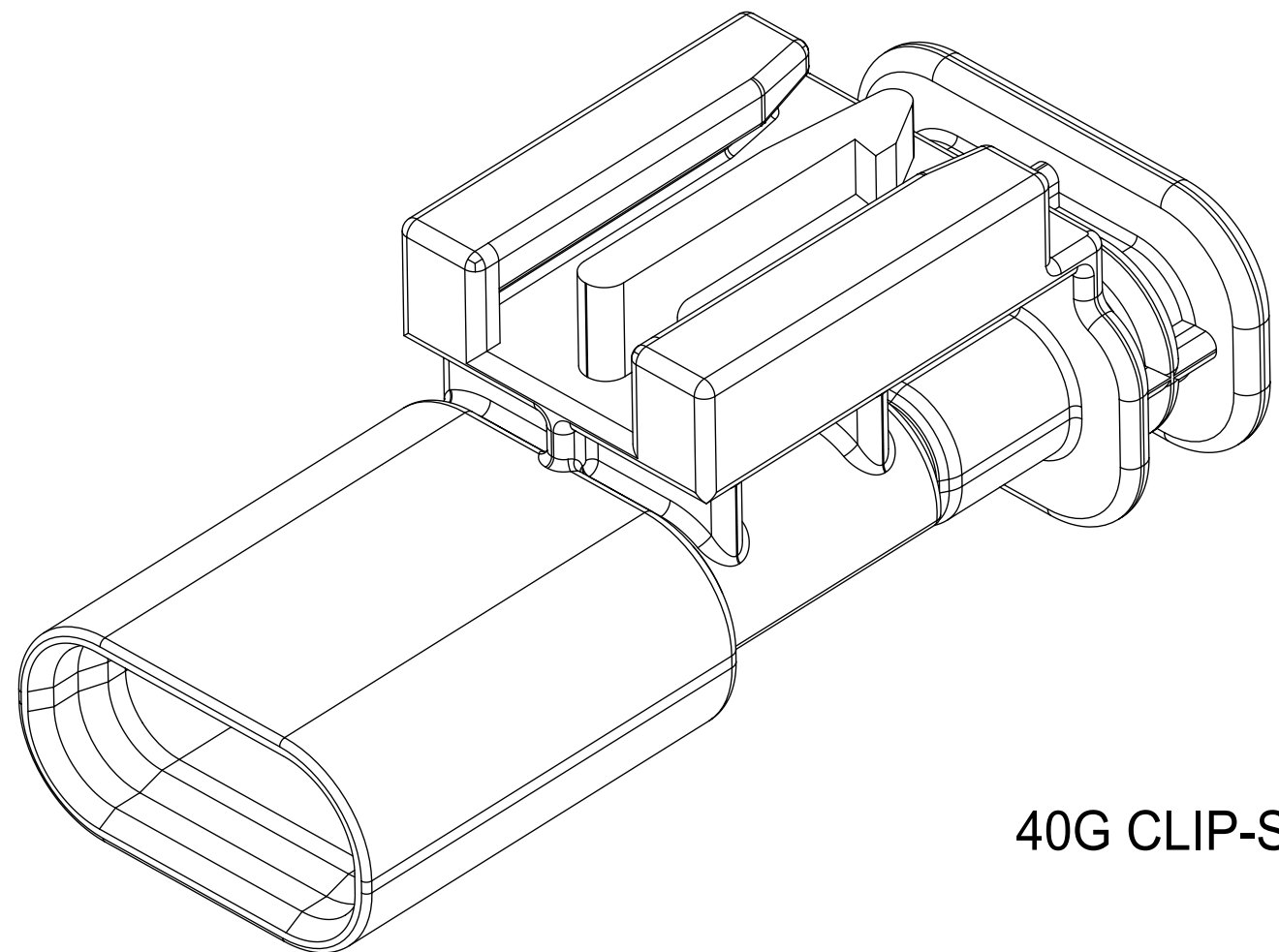
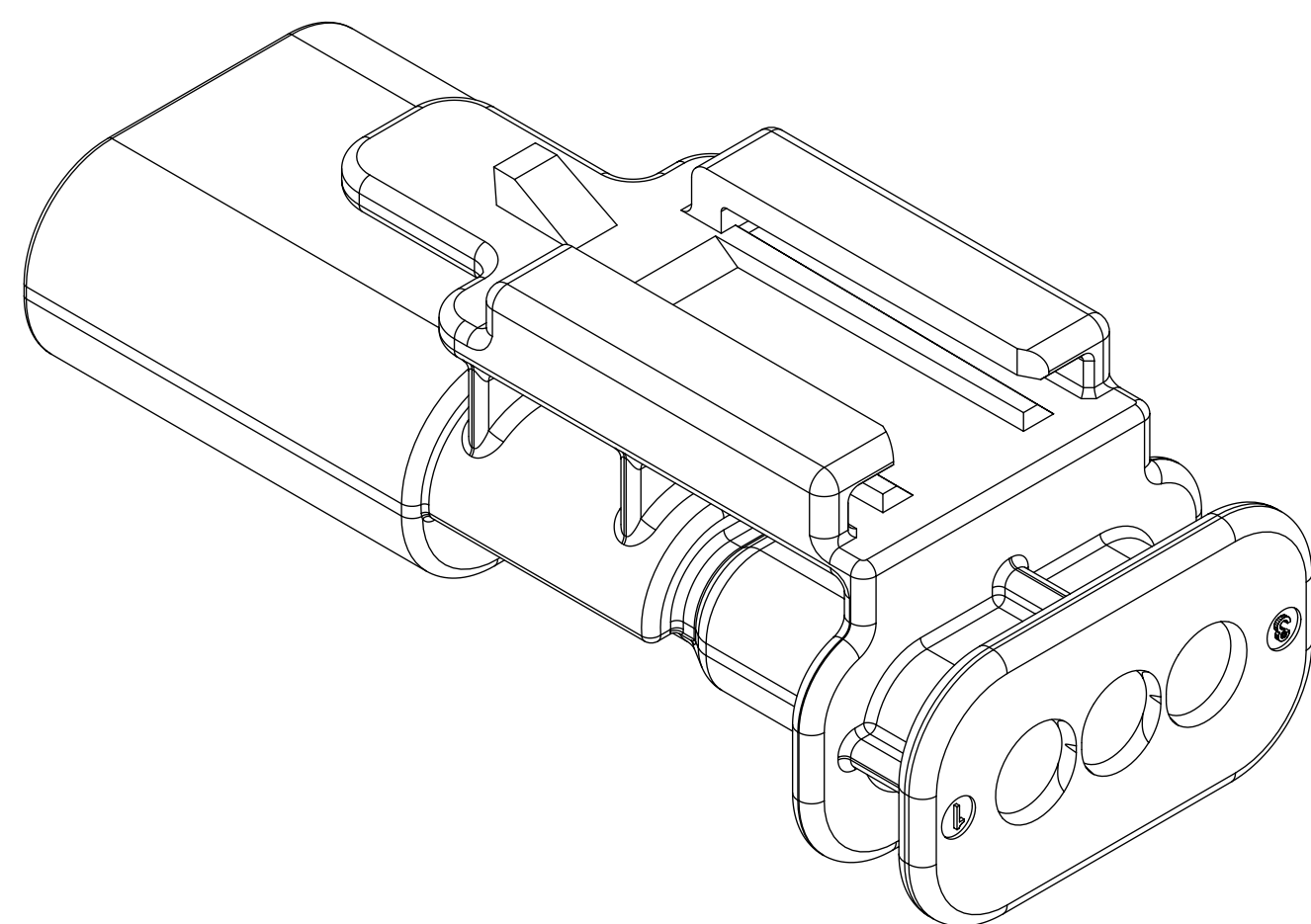
CLIP-SLOT CONFIGURATIONS. FOR PART NUMBERS REFER TO BOM SHEET.



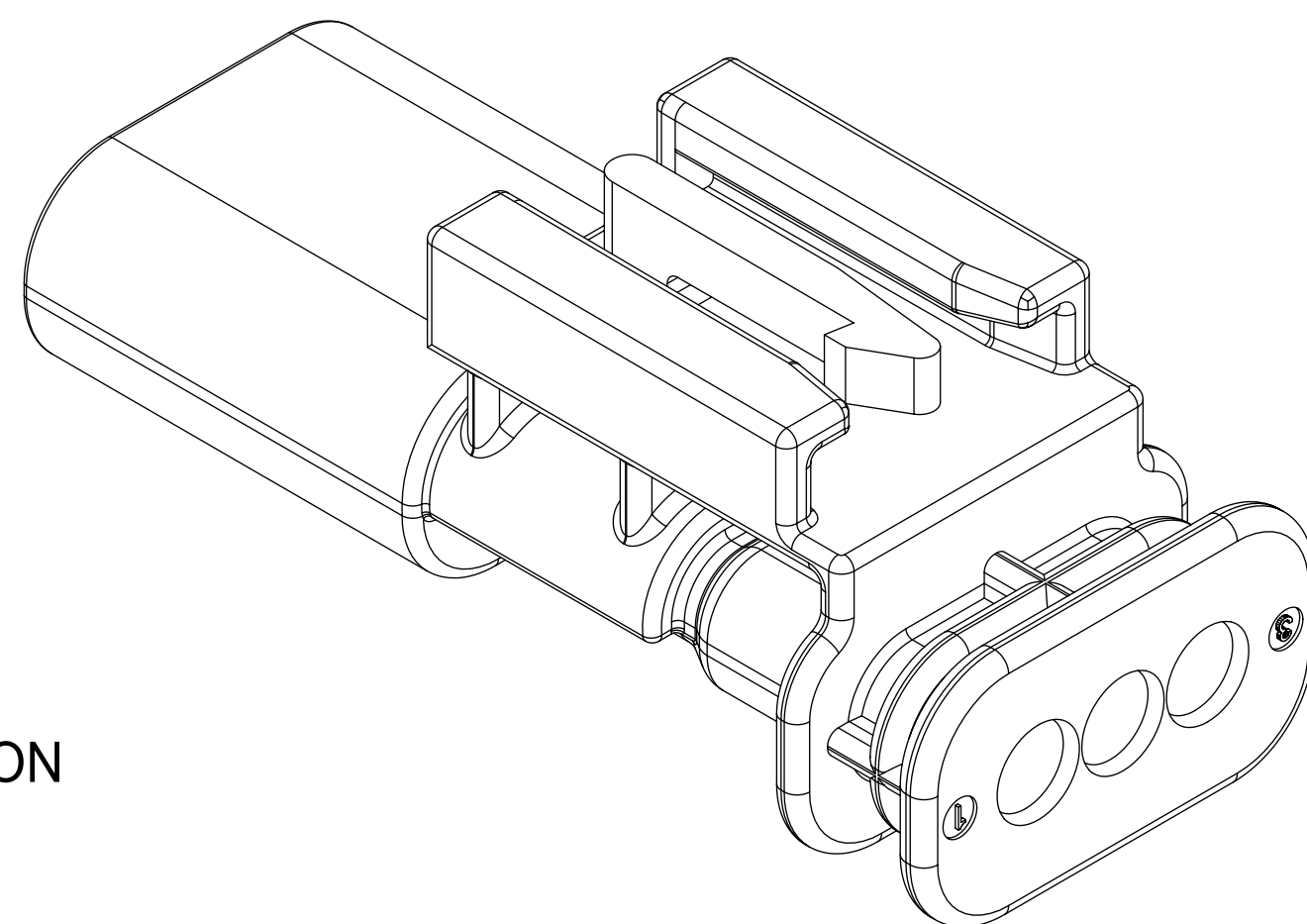
7mm CLIP-SLOT OPTION



11mm CLIP-SLOT OPTION

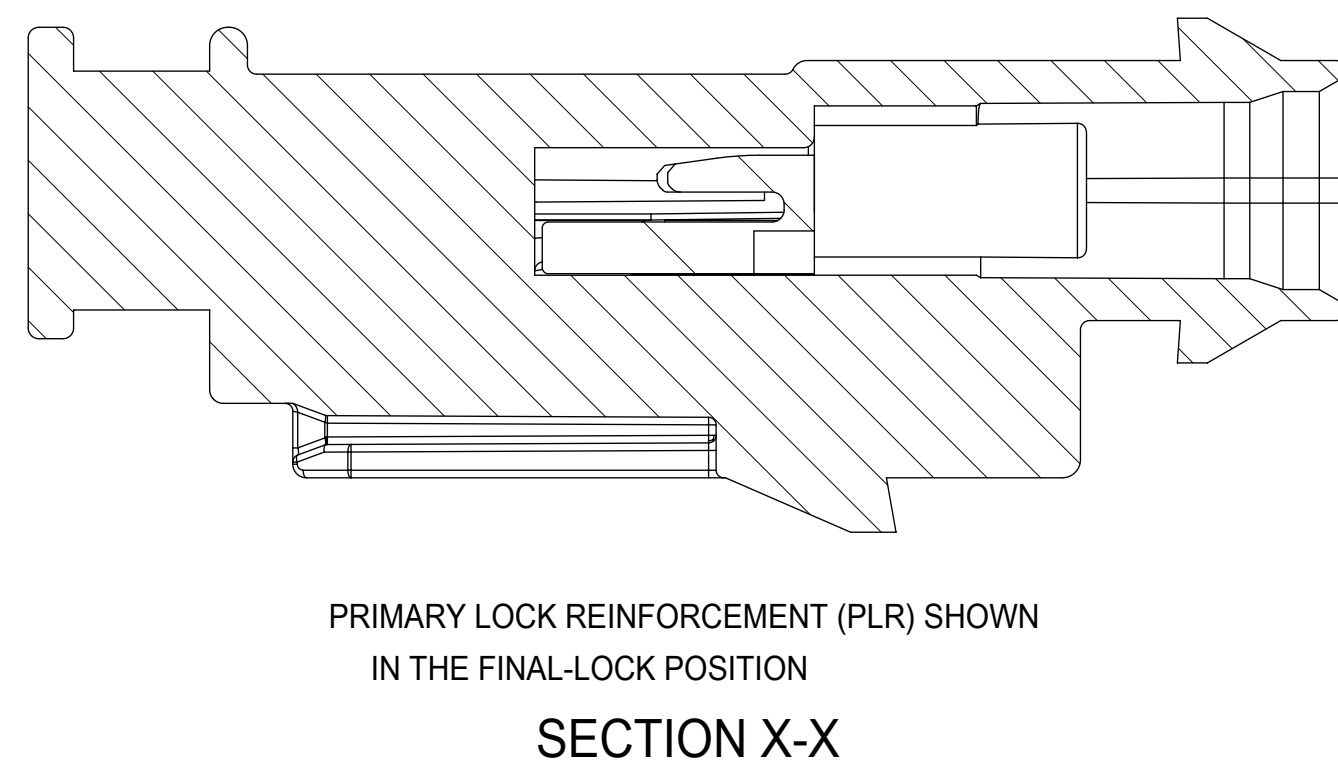
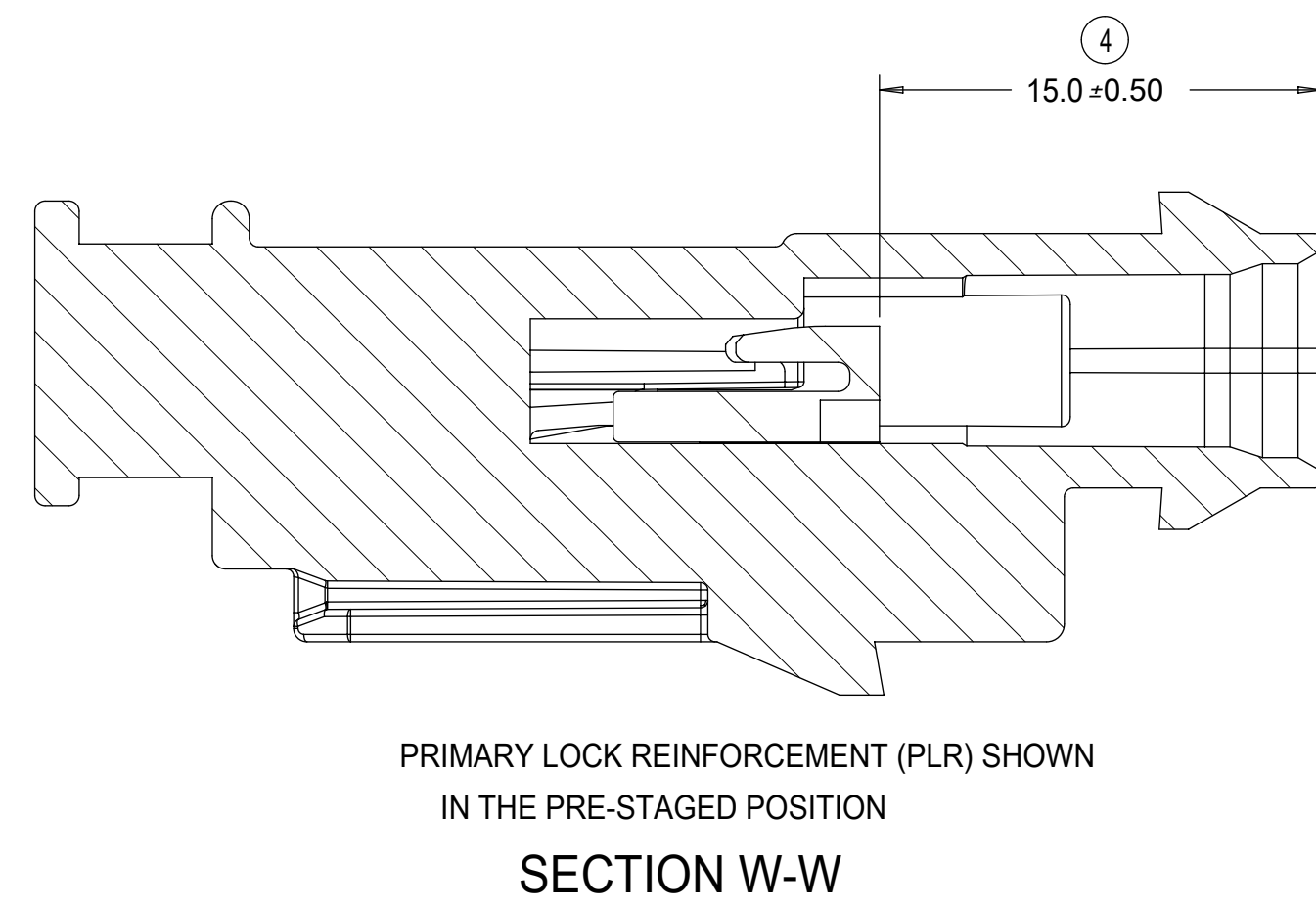
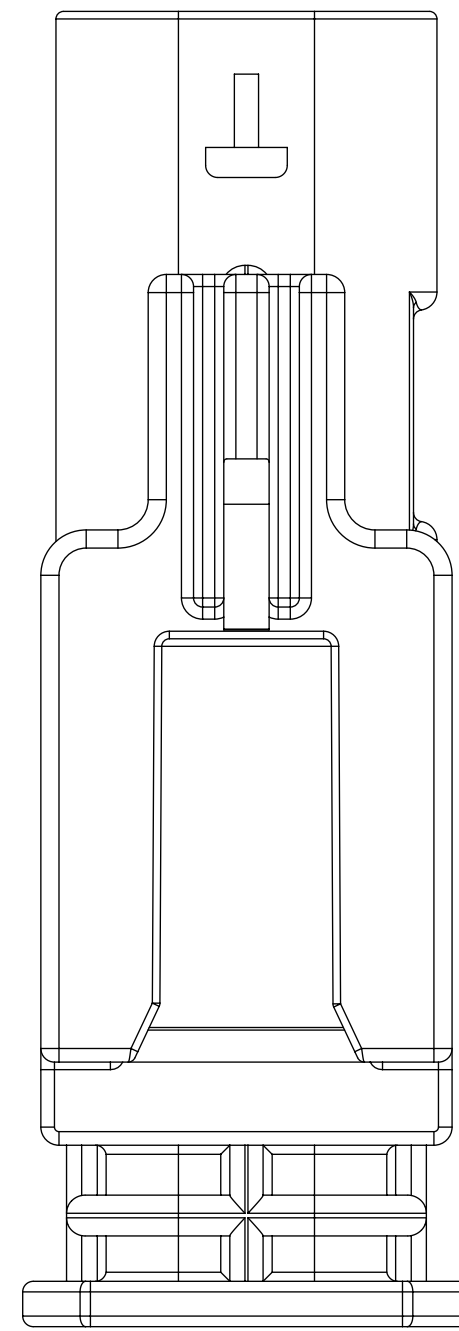
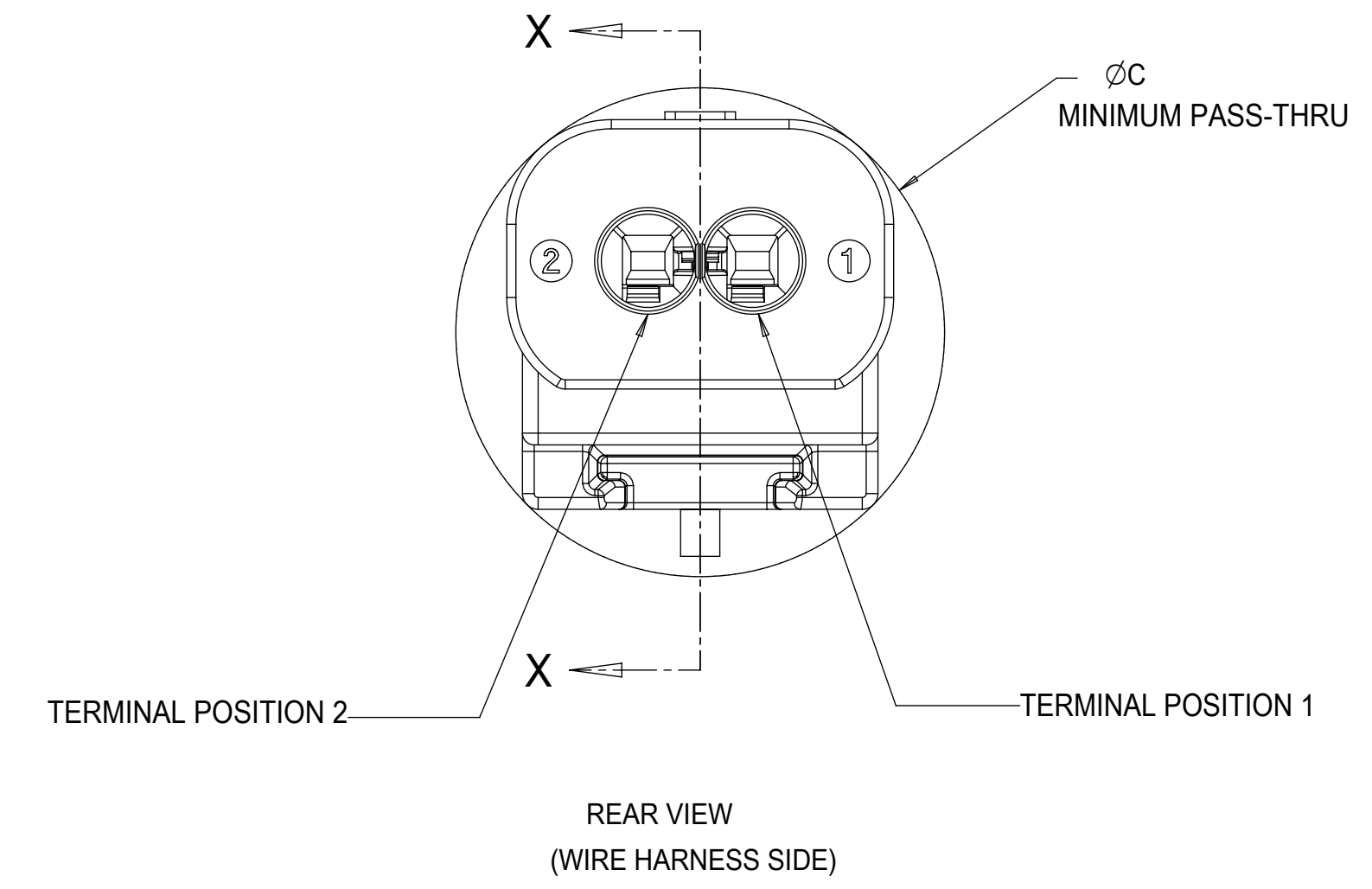
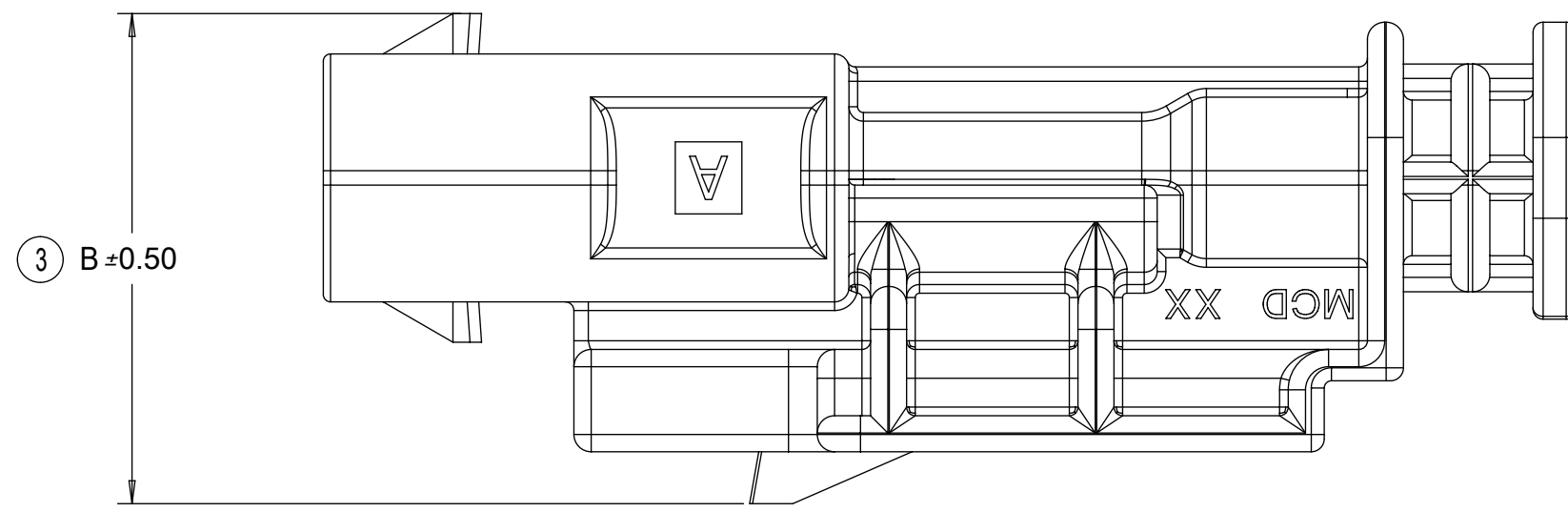
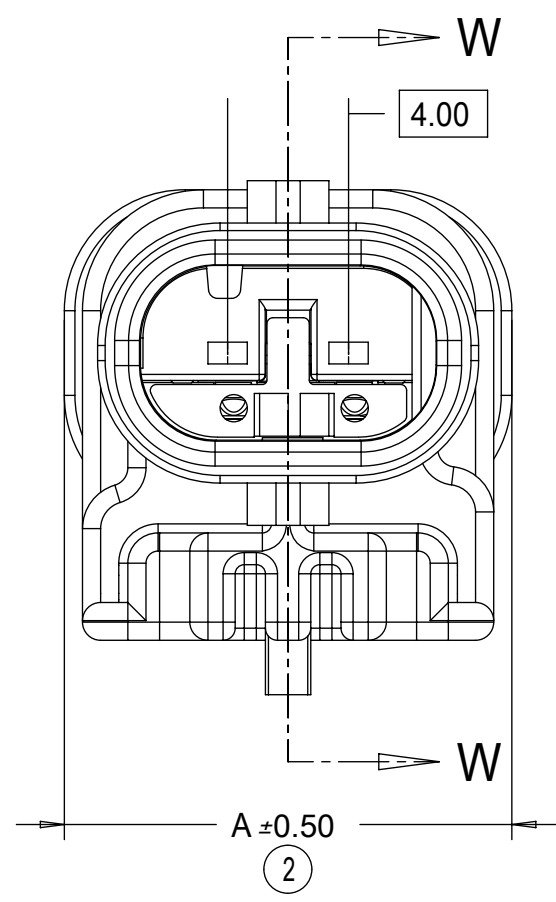
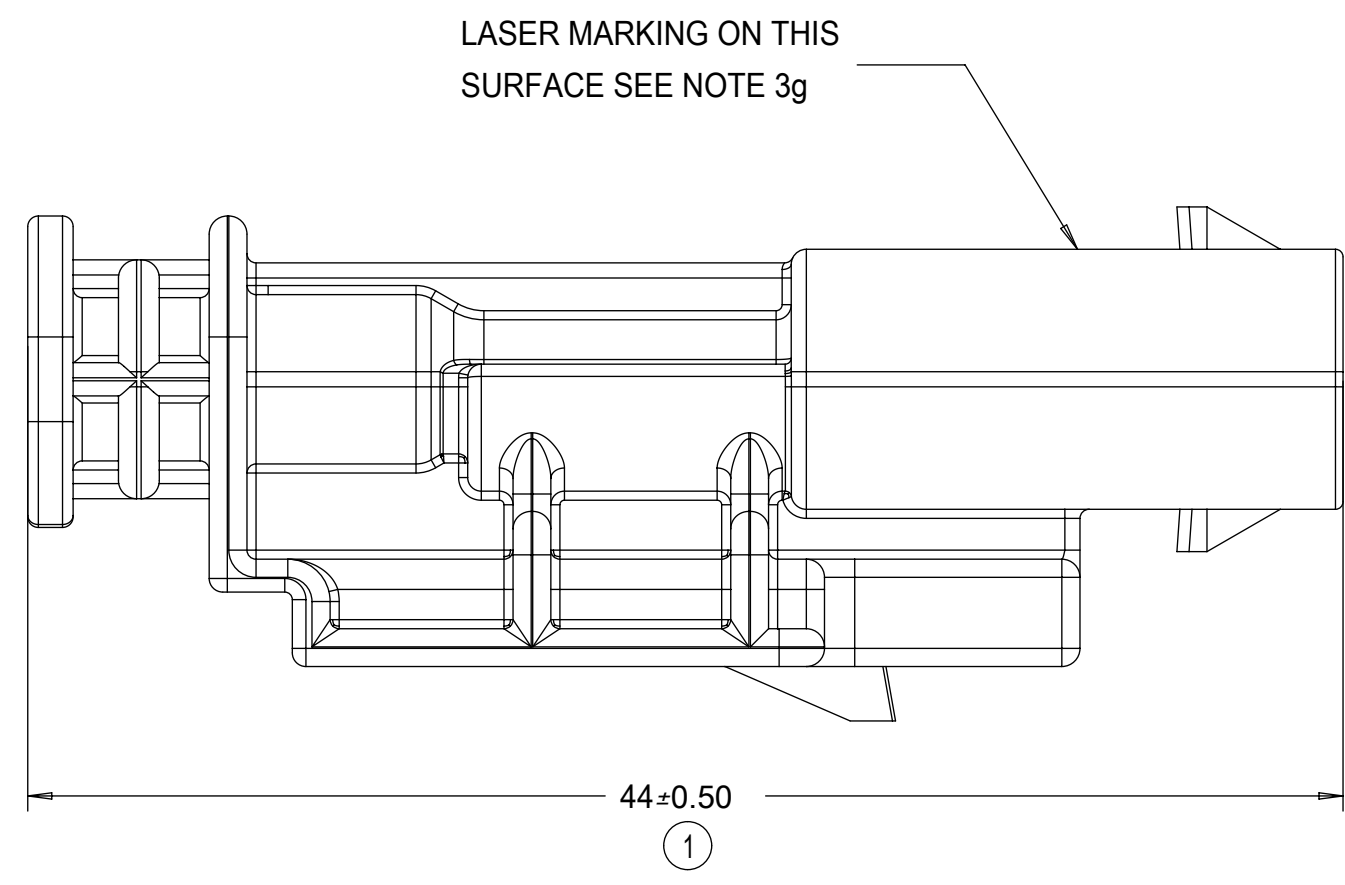


40G CLIP-SLOT OPTION



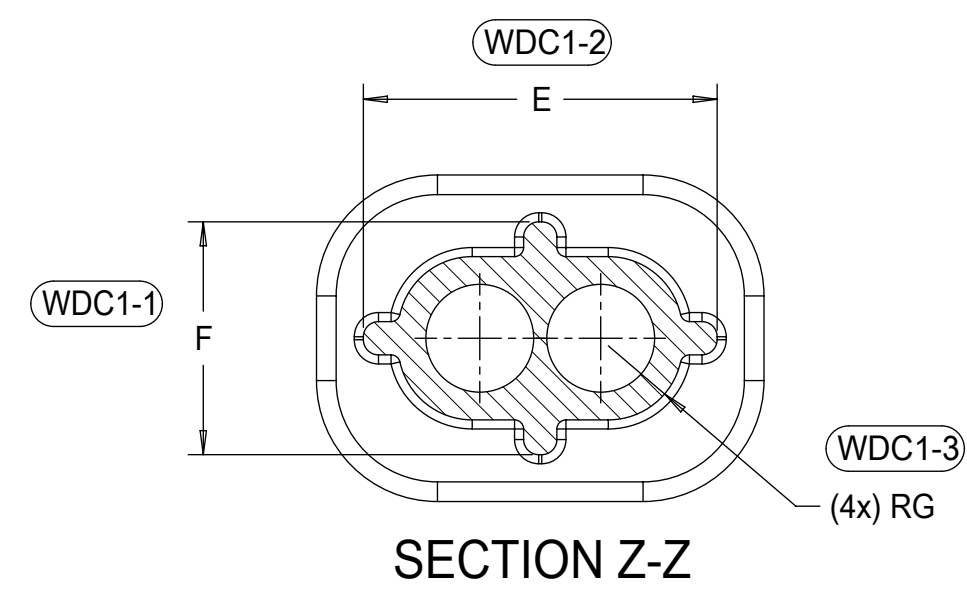
THIS DRAWING CONTAINS INFORMATION THAT IS PROPRIETARY TO MOLEX ELECTRONIC TECHNOLOGIES, LLC AND SHOULD NOT BE USED WITHOUT WRITTEN PERMISSION													
QUALITY SYMBOLS	EC NO: 639764 DRWN: GELLIOTTO1 CHKD: KBORUSZEWSKI REV APPR: KBORUSZEWSKI	GENERAL TOLERANCES (UNLESS SPECIFIED)		DIMENSION UNITS	SCALE								
		ANGULAR TOL ± 3.0 °		mm	4:1								
▽ = 0	2019/07/15	4 PLACES ±		DRWN BY	DATE	1.2MM 1X2, 1X3 BLADE SEALED ASSEMBLY CABLE SEAL 639764 - REMOVED CPA3 AND REPLACED WITH CPA2 AGAIN							
▽ = 0	2020/06/23	3 PLACES ±		SKRAJENDRANA	2013/11/06								
▽ = 0	2020/06/23	2 PLACES ± 0.1		CHKD BY	DATE	PRODUCT CUSTOMER DRAWING							
▽ = 0		1 PLACE ± 0.2		APPR BY	DATE								
▽ = 0		0 PLACES ± 0.5		DRAWING SIZE		THIRD ANGLE PROJECTION		SERIES		MATERIAL NUMBER		CUSTOMER	
▽ = 0		DRAFT WHERE APPLICABLE MUST REMAIN WITHIN DIMENSIONS		D				34899		SEE BOM		GENERAL MARKET	
▽ = 0								DOCUMENT NUMBER		DOC TYPE		DOC PART SHEET NUMBER	
								SD-34899-2001		PSD		001 4 OF 11	

BLADE SEALED ASSEMBLY



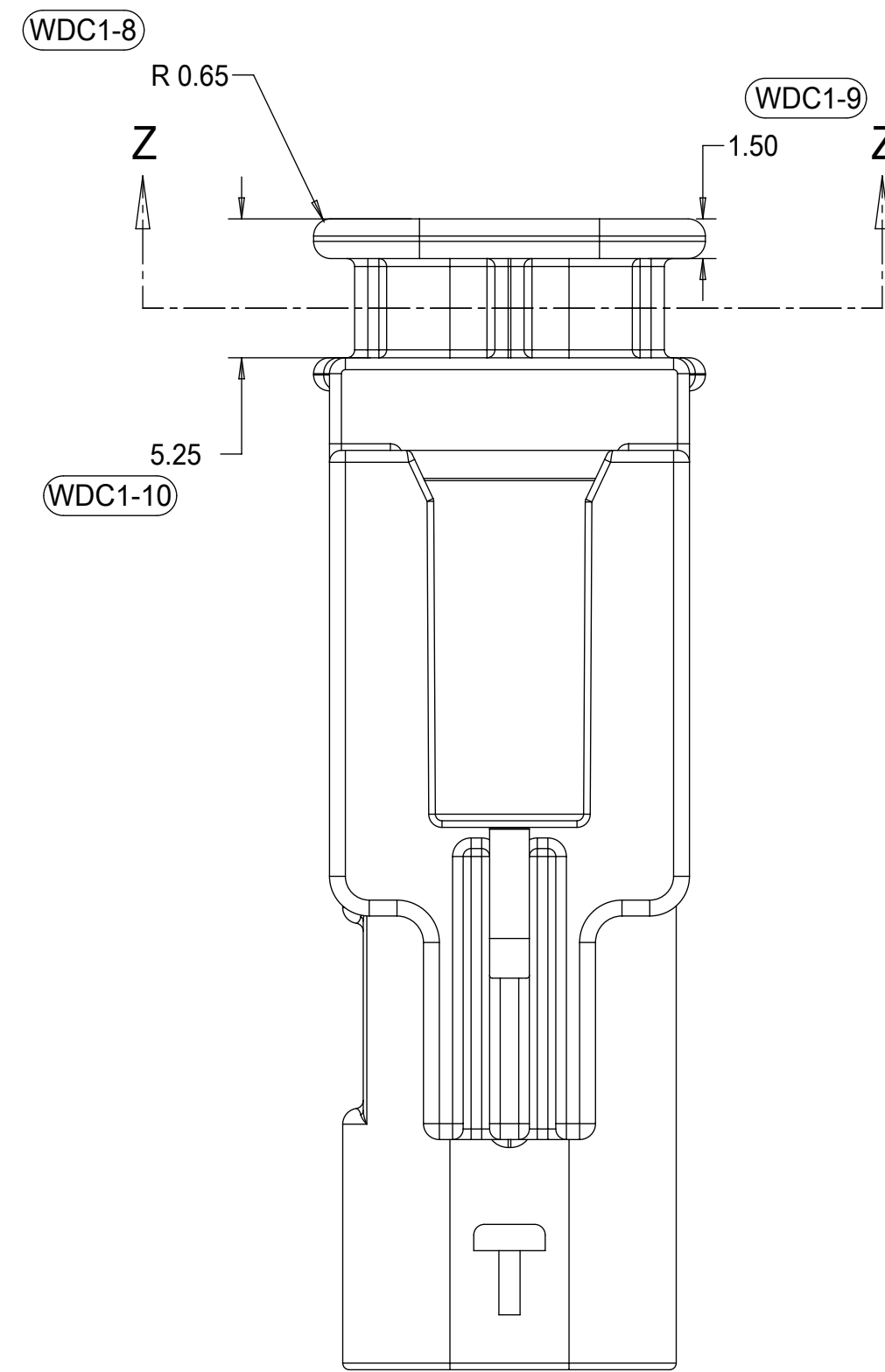
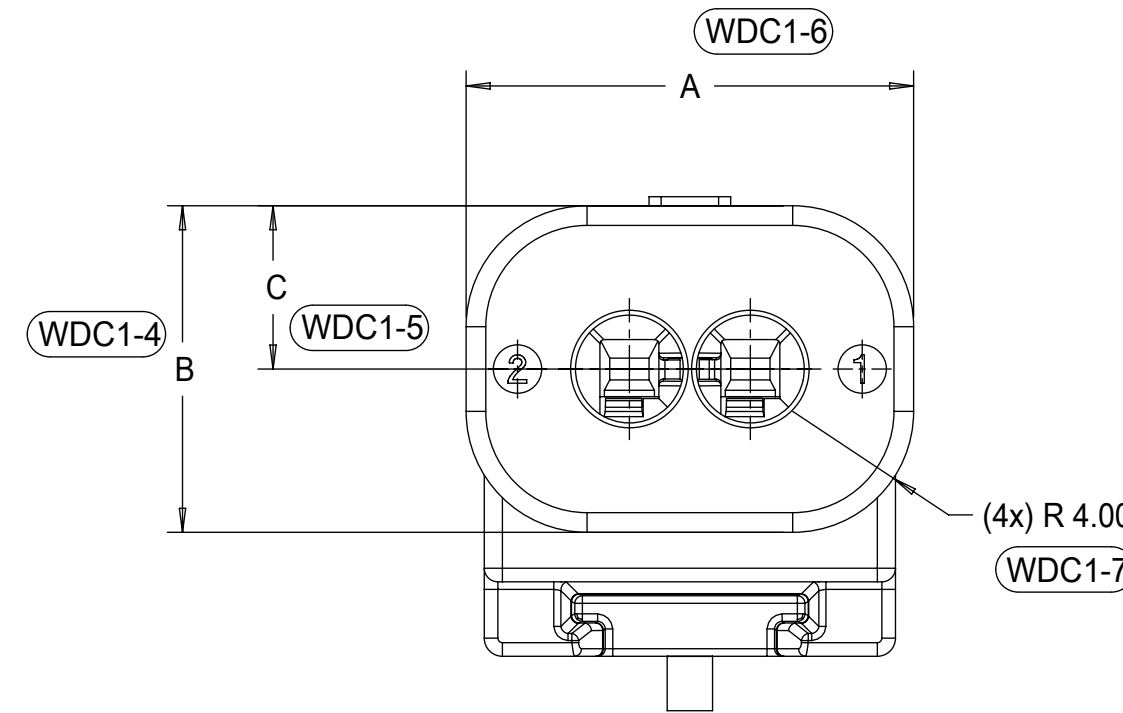
1x3 BLADE SEALED ASSEMBLY, 40G CLIP SLOT	19	16.75	21.75
1x3 BLADE SEALED ASSEMBLY, 11mm CLIP SLOT	19	14.6	20.75
1x3 BLADE SEALED ASSEMBLY, 7mm CLIP SLOT	19	17	20.5
1x2 BLADE SEALED ASSEMBLY, 40G CLIP SLOT	15	16.75	20.25
1x2 BLADE SEALED ASSEMBLY, 11mm CLIP SLOT	15	15.5	19
1x2 BLADE SEALED ASSEMBLY, 7mm CLIP SLOT	15	17	18.75
CONFIGURATION	A	B	C
CHARTED DIMENSIONS			

QUALITY SYMBOLS □ = 0 ▽ = 0 ▽ = 0 ▽ = 0 ▽ = 0 ▽ = 0 ▽ = 0 ▽ = 0 ▽ = 0 ▽ = 0 ▽ = 0	THIS DRAWING CONTAINS INFORMATION THAT IS PROPRIETARY TO MOLEX ELECTRONIC TECHNOLOGIES, LLC AND SHOULD NOT BE USED WITHOUT WRITTEN PERMISSION		DIMENSION UNITS mm	SCALE 4:1		
	EC NO: 639764 DRWN: GELIOTTO1 CHKD: KBORUSZEWSKI REV APPR: KBORUSZEWSKI	2019/07/15 2020/06/23 2020/06/23	GENERAL TOLERANCES (UNLESS SPECIFIED) ANGULAR TOL ± 3.0 ° 4 PLACES ± 3 PLACES ± 2 PLACES ± 0.1 1 PLACE ± 0.2 0 PLACES ± 0.5 DRAFT WHERE APPLICABLE MUST REMAIN WITHIN DIMENSIONS	DRWN BY SKRAJENDRANA		DATE 2013/11/06
PRODUCT CUSTOMER DRAWING		DRAWING SIZE D	THIRD ANGLE PROJECTION	SERIES 34899	MATERIAL NUMBER SEE BOM	CUSTOMER GENERAL MARKET
RELEASE STATUS P1 RELEASE DATE 2020/06/23 16:54:25		DOCUMENT NUMBER SD-34899-2001	DOC TYPE PSD	DOC PART 001	SHEET NUMBER 5 OF 11	

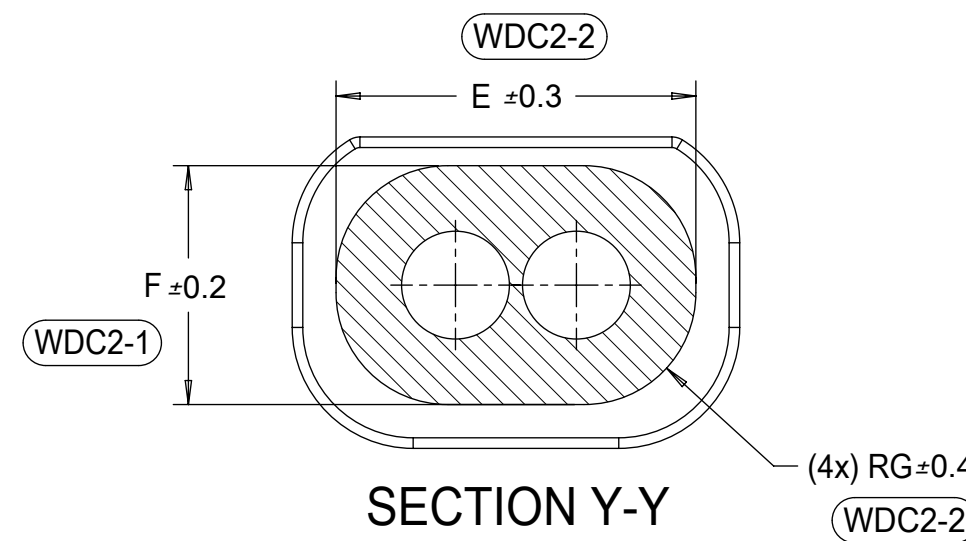


3 CIRCUIT	18.8	10.8	5.4	15.7	7.7	2.45
2 CIRCUIT	14.8	10.8	5.4	11.7	7.7	2.45
CONFIGURATION	A	B	C	E	F	G

CHARTED DIMENSIONS

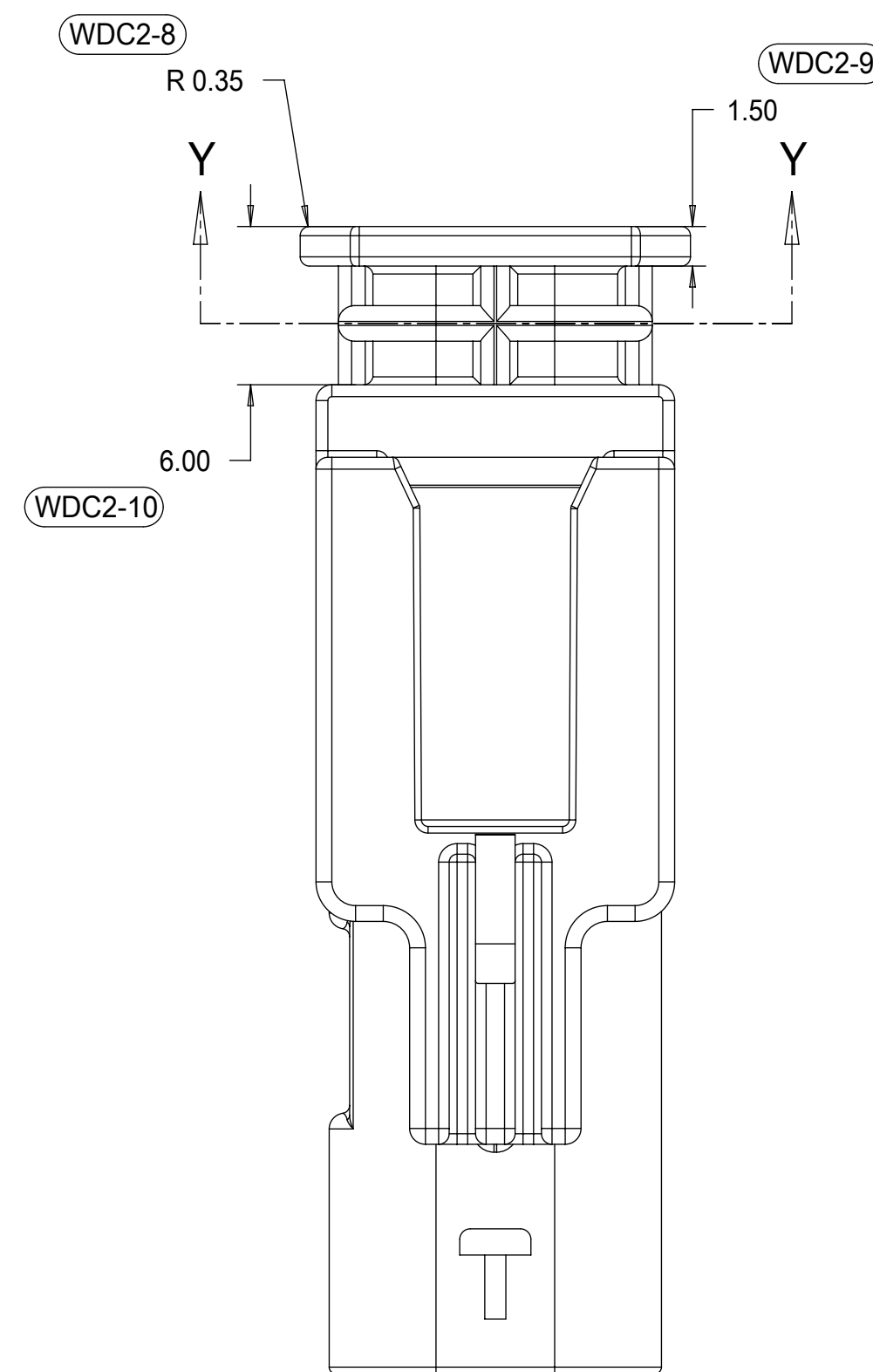
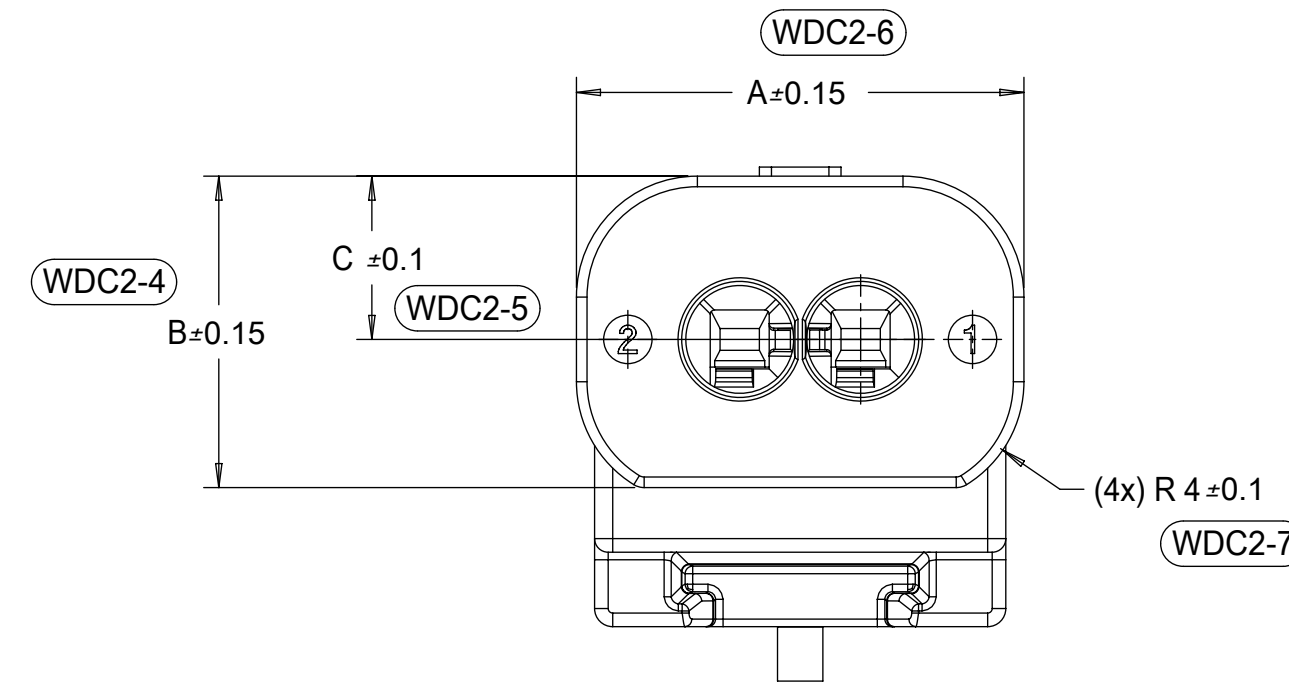


WIRE DRESS COVER
 INTERFACE OPTION 1
 WIRE DRESS COVERS
 NOT AVAILABLE



3 CIRCUIT	18.8	10.8	5.4	15.9	7.9	3.7
2 CIRCUIT	14.8	10.3	5.4	11.9	7.9	3.7
CONFIGURATION	A	B	C	E	F	G

CHARTED DIMENSIONS

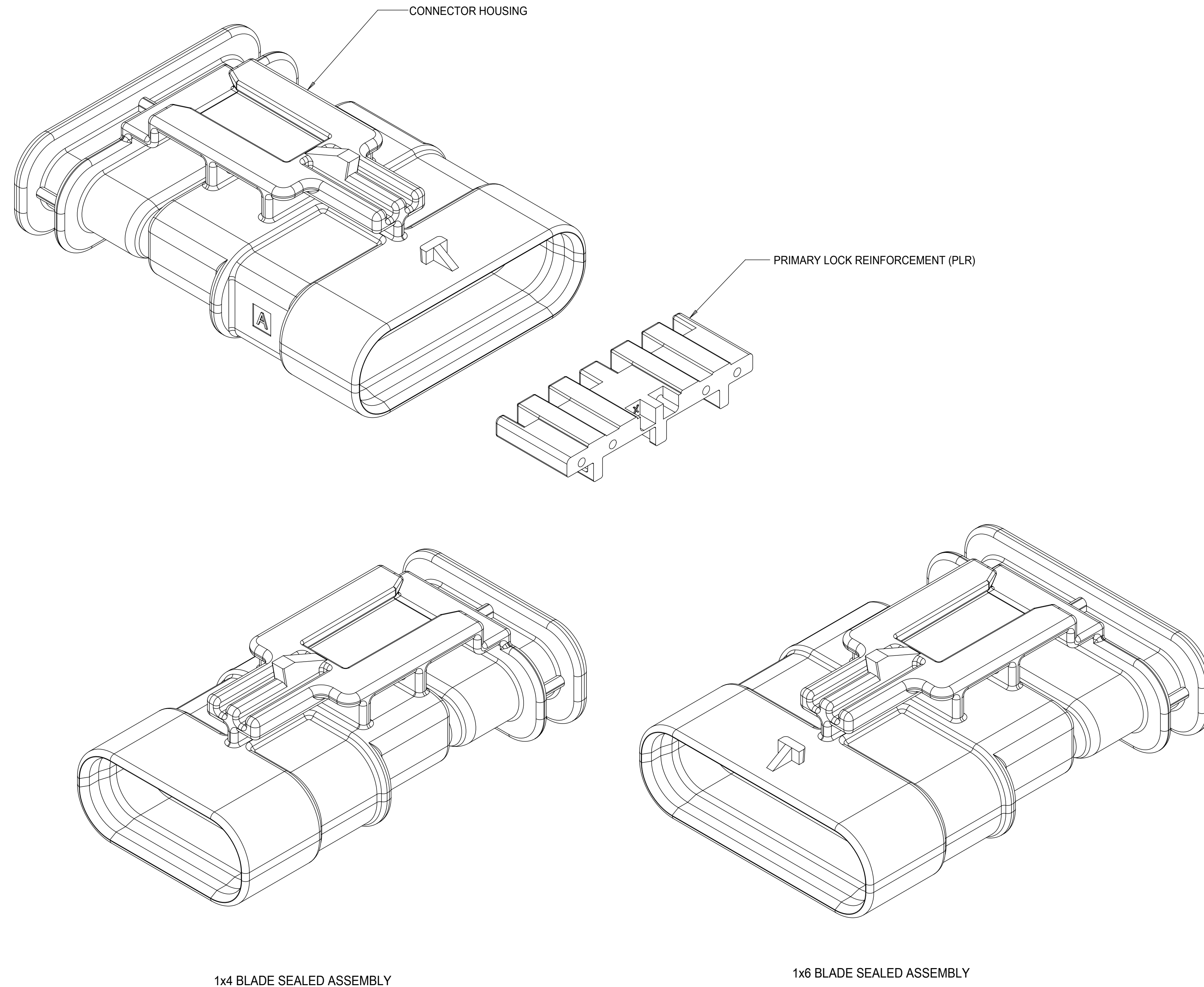


WIRE DRESS COVER
 INTERFACE OPTION 2
 BASED ON HIRSCHMANN INTERFACE
 DRAWING 808-012-xxx REV B5

QUALITY SYMBOLS 	THIS DRAWING CONTAINS INFORMATION THAT IS PROPRIETARY TO MOLEX ELECTRONIC TECHNOLOGIES, LLC AND SHOULD NOT BE USED WITHOUT WRITTEN PERMISSION										
	EC NO: 639764 DRWN: GELLIOTT01 CHKD: KBORUSZEWSKI REV APPR: KBORUSZEWSKI	GENERAL TOLERANCES (UNLESS SPECIFIED)		DIMENSION UNITS	SCALE						
		ANGULAR TOL ± 3.0 °		mm	4:1						
		4 PLACES ±		DRWN BY	DATE	1.2MM 1X2, 1X3 BLADE SEALED ASSEMBLY CABLE SEAL 639764 - REMOVED CPA3 AND REPLACED WITH CPA2 AGAIN					
		3 PLACES ±		SKRAJENDRANA	2013/11/06						
		2 PLACES ± 0.1		CHKD BY	DATE						
	1 PLACE ± 0.2		APPR BY		PRODUCT CUSTOMER DRAWING						
	0 PLACES ± 0.5		DATE		SERIES	MATERIAL NUMBER	CUSTOMER				
	DRAFT WHERE APPLICABLE MUST REMAIN WITHIN DIMENSIONS		DRAWING SIZE	THIRD ANGLE PROJECTION	34899	SEE TABLE	GENERAL MARKET				
			D		DOCUMENT NUMBER	DOC TYPE	DOC PART	SHEET NUMBER			
		A16		SD-34899-2001	PSD	001	7 OF 11				

TABLE OF CONTENTS

SHEET NO.	SHEET DESCRIPTION
1	NOTES
2	1x4 BLADE SEALED ASSEMBLY KEYING CONFIGURATIONS
3	1x6 BLADE SEALED ASSEMBLY KEYING CONFIGURATIONS
4	CLIP-SLOT CONFIGURATIONS
5	BLADE SEALED ASSEMBLY
6	CONNECTION SYSTEM PACKAGING
7	WIRE DRESS COVER INTERFACE OPTIONS
8	1x4 BLADE SEALED ASSEMBLY BOM INTERFACE OPTION 1
9	1x4 BLADE SEALED ASSEMBLY BOM INTERFACE OPTION 2
10	1x6 BLADE SEALED ASSEMBLY BOM INTERFACE OPTION 1
11	1x6 BLADE SEALED ASSEMBLY BOM INTERFACE OPTION 2



1x4 BLADE SEALED ASSEMBLY

1x6 BLADE SEALED ASSEMBLY

NOTES: VALID UNLESS OTHERWISE SPECIFIED

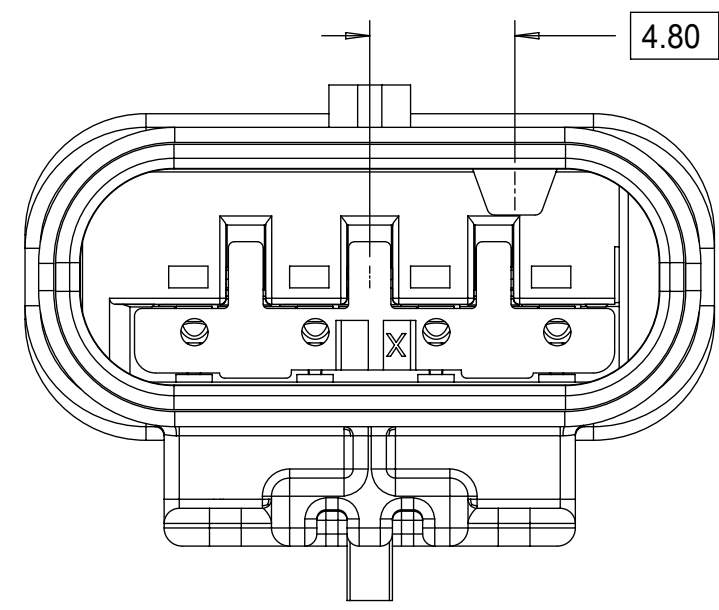
1. GENERAL:
 - a. APPLICATION SPECIFICATION SEE: AS-34900-0001
CONTAINS: PRODUCT INTRODUCTION, PRODUCT SUMMARY, CONNECTOR ASSEMBLY, PACKAGING INFORMATION, CONNECTOR MATING, SERVICE INSTRUCTIONS, ELECTRICAL CONTINUITY CHECKING, CRIMPING, AND TROUBLESHOOTING.
 - b. PRODUCT SPECIFICATION SEE: PS-34900-0001
CONTAINS: PRODUCT INTRODUCTION, PRODUCT SUMMARY, RATINGS (CURRENT, TEMPERATURE, SEALING, AND FLAMMABILITY), AND PRODUCT VALIDATION.
 - c. PACKAGING SPECIFICATION PER MOLEX DRAWING: PK-31301-898
 - d. PARTS MUST BE IN COMPLIANCE TO MOLEX CHEMICAL SUBSTANCES FOR PRODUCTS AND PACKAGING SPECIFICATION: QEHS-699000-301
 - e. DATA MUST BE SUBMITTED UNDER THE MOLEX PART NUMBER TO IMDS (COMPANY ID#13255)
2. DESIGN - MATERIALS:
 - a. SEE BOM TABLE
3. DESIGN - GEOMETRY:
 - a. THIS IS A 100% CAD GENERATED PART. THE CAD MATHEMATICAL DATA IS THE MASTER FOR THIS PART. FOR DIMENSIONAL OR ANY INFORMATION NOT SHOWN ON THIS DRAWING, ANALYZE THE CAD MODEL.
 - b. GEOMETRIC DIMENSIONS AND TOLERANCES PER ASME Y14.5M - 1994
 - c. EDGES AND UNDIMENSIONED DETAILS PER ISO13715
 - d. CORNERS SHOWN AS SHARP TO BE R 0.2 MAX.
 - e. LETTERING SHALL BE 0.15 MAX RAISED IN 0.25 MAX RECESS PAD. THIS INCLUDES RECYCLING CODE, CAVITY ID, VENDOR IDENTIFICATION, AND CUSTOMER MATERIAL NUMBER.
 - f. VISUAL DEFECTS SHALL MEET COSMETIC STANDARD PS-45499-002 (Class B) CAD MODEL.
 - g. LASER MARKING:
 1. PART NUMBER
 2. DAY OF THE YEAR
 3. SHIFT
 4. YEAR

INSPECTION BALLOON NUMBER LOG	
PER DRAWING REVISION: B12	
LAST BALLOON NUMBER USED: WDC2-10	
ADDED BALLON NUMBERS: WDC2-1 - WDC2-10	
REMOVED BALLON NUMBERS:	

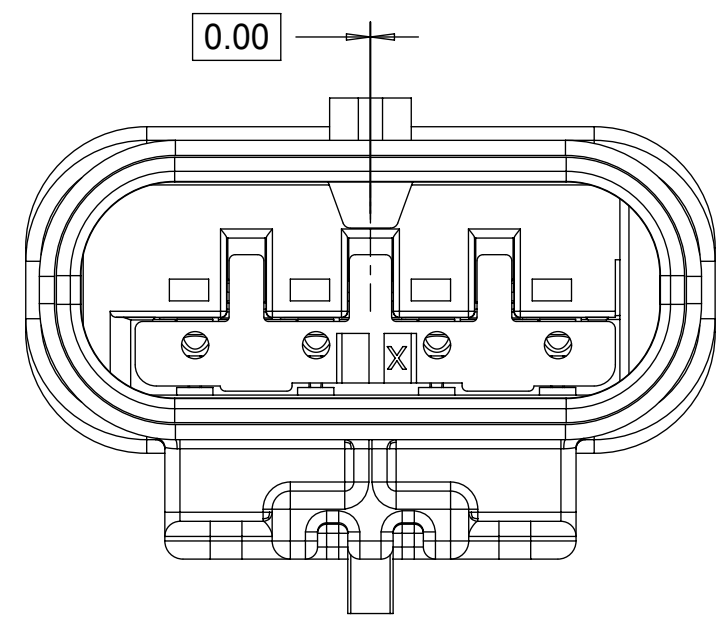
REV	DESCRIPTION
B16	NX-REMASTERING FROM MODEL MANAGER CHANGED PN STATUSES TO OBSOLETE
B15	UPDATED BALLOONS 2-1 & 2-2 ON SHEET 7
B14	UPDATED PARTS TO SALEABLE
B13	RELEASED PRIMARY KEYS NON-SIR SALEABLE
B12	UPDATED PLR LOCK UP GEOMETRY
B11	UPDATED WDC INTERFACE PART# TO TOOLED BUT NOT VALIDATED
B10	UPDATED TOLERANCES WDC FEATURES
B9	1X4, 1X6 PART # WIRE DRESS COVER INTERFACE FEATURES OK TO TOOL
B8	1X4 40G CLIP-SLOT OK TO TOOL
B7	1X4 PART # UPDATED TO "TOOLED BUT NOT VALIDATED"
B6	ADDED 40G CLIP-SLOT PART NUMBERS
B5	BOM CORRECTIONS AND UPDATES
B4	BOM CORRECTIONS AND UPDATES
B3	1x4, 1x6 NON-SIR PART# OK TO TOOL
B2	1x6 11mm CLIP SLOT PART # OK TO TOOL
B1	1x6 11mm CLIP SLOT PART NUMBERS ADDED
B	ADDED 1x4 INFORMATION
A	OK TO TOOL

THIS DRAWING CONTAINS INFORMATION THAT IS PROPRIETARY TO MOLEX ELECTRONIC TECHNOLOGIES, LLC AND SHOULD NOT BE USED WITHOUT WRITTEN PERMISSION															
QUALITY SYMBOLS □ = 0 ▽ = 0 ▽ = 0 ▽ = 0 ▽ = 0 ▽ = 0 ▽ = 0 ▽ = 0 ▽ = 0 ▽ = 0	EC NO: 639764	DRWN: VYARAPPA	CHKD: KBORUSZEWSKI	REV: APPR: KBORUSZEWSKI	2017/05/08	2020/06/23	2020/06/23	GENERAL TOLERANCES (UNLESS SPECIFIED)							
	4 PLACES ±		3 PLACES ±		2 PLACES ± 0.1		1 PLACE ± 0.2		0 PLACES ± 0.5						
	DRAFT WHERE APPLICABLE MUST REMAIN WITHIN DIMENSIONS				DIMENSION UNITS		SCALE		DRWN BY						
	D				mm		4:1		DATE						
	D				mm		4:1		DATE						
SERIES: 34899					MATERIAL NUMBER: SEE BOM					CUSTOMER: GENERAL MARKET					
DOCUMENT NUMBER: SD-34899-6001										DOC TYPE: PSD		DOC PART: 001		SHEET NUMBER: 1 OF 11	

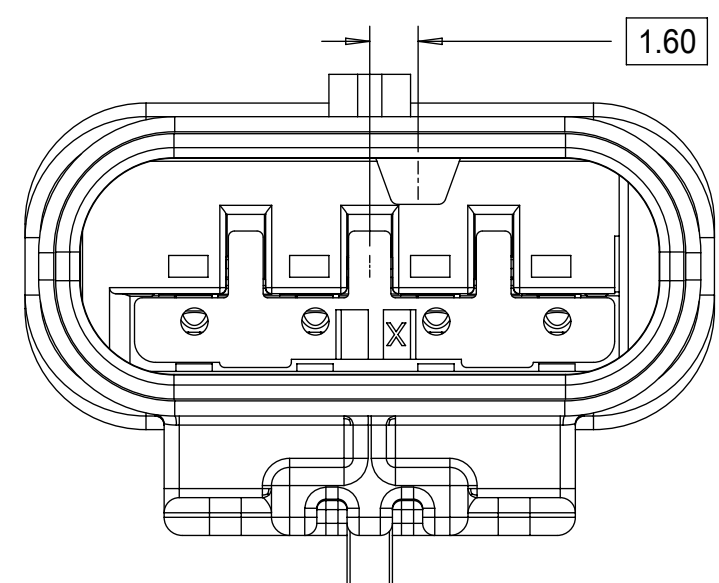
1x4 BLADE SEALED ASSEMBLY KEYING CONFIGURATIONS. FOR PART NUMBERS REFER TO BOM SHEET.



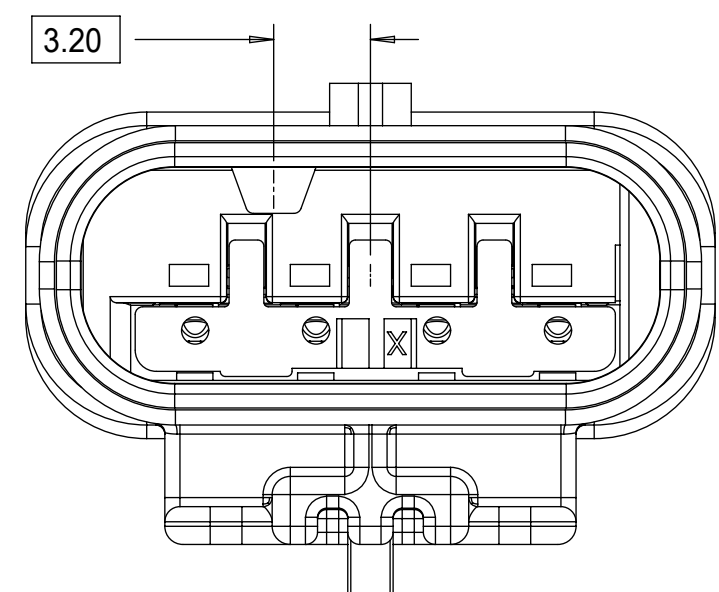
KEYING OPTION A



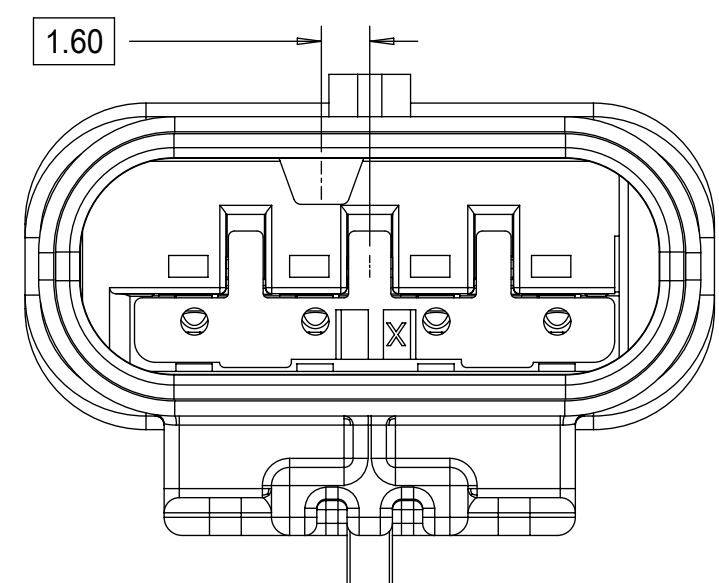
KEYING OPTION F



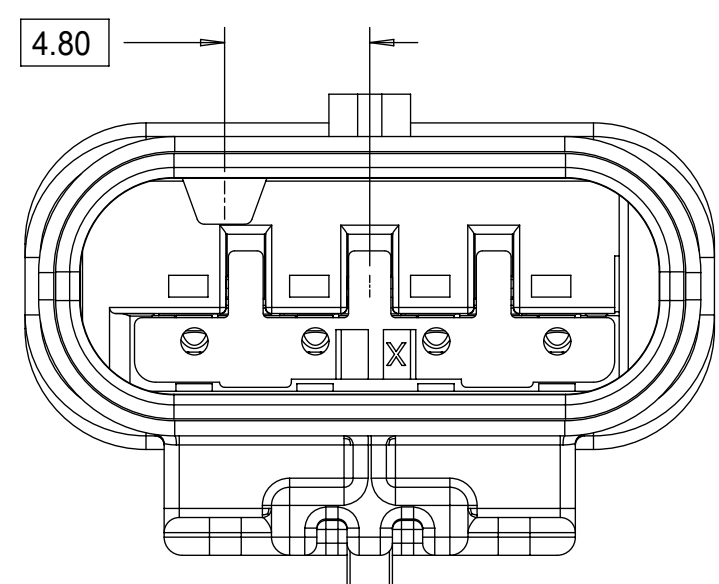
KEYING OPTION B



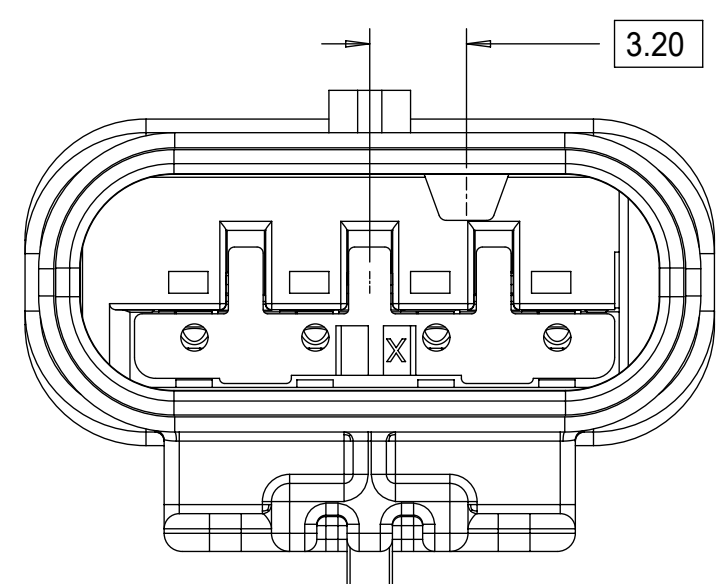
KEYING OPTION G



KEYING OPTION C



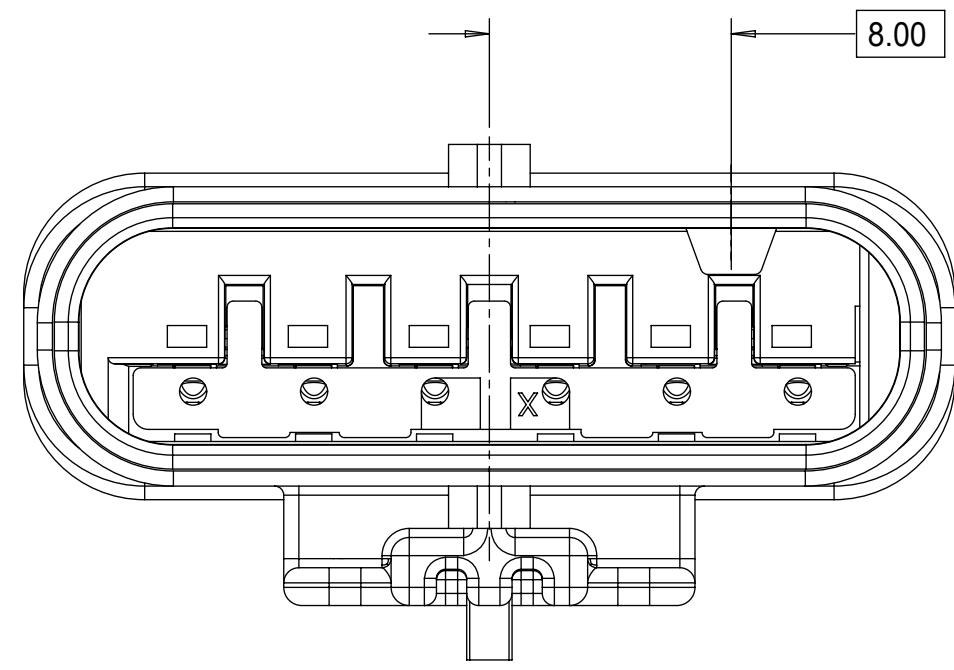
KEYING OPTION D



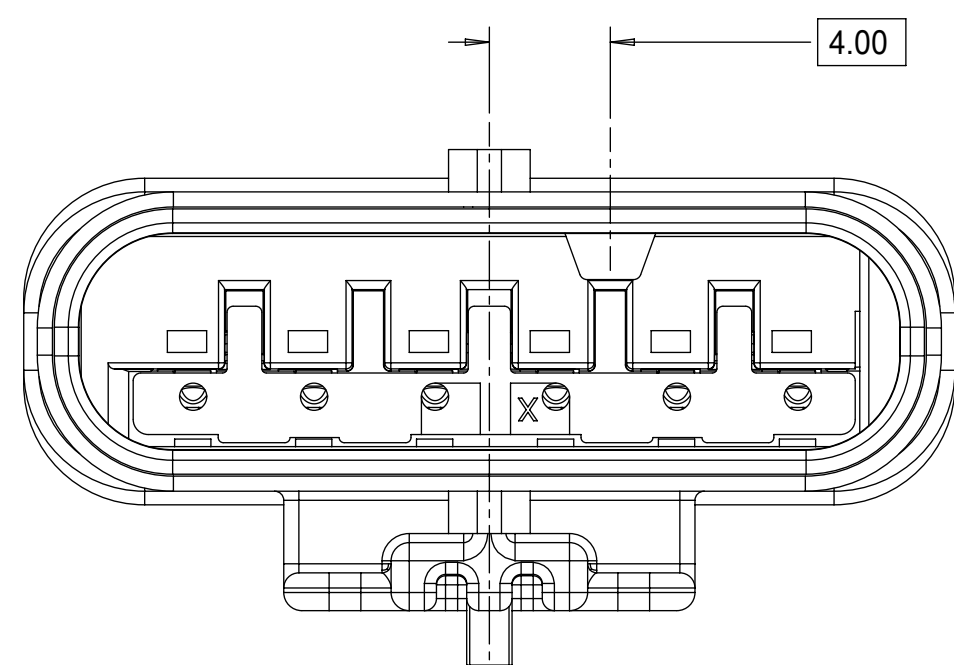
KEYING OPTION E

QUALITY SYMBOLS □ = 0 ▽ = 0 ▽ = 0 ▽ = 0 ▽ = 0 ▽ = 0 ▽ = 0 ▽ = 0 ▽ = 0 ▽ = 0 ▽ = 0	THIS DRAWING CONTAINS INFORMATION THAT IS PROPRIETARY TO MOLEX ELECTRONIC TECHNOLOGIES, LLC AND SHOULD NOT BE USED WITHOUT WRITTEN PERMISSION									
	EC NO: 639764	2017/05/08	GENERAL TOLERANCES (UNLESS SPECIFIED)		DIMENSION UNITS	SCALE				
	DRWN: VYARAPPA	2020/06/23	ANGULAR TOL ± 3.0 °		mm	4:1				
	CHKD: KBORUSZEWSKI	2020/06/23	4 PLACES ±	DRWN BY	DATE	1.2MM 1X4, 1X6 BLADE SEALED ASSEMBLY CABLE SEAL 639764 - REMOVED CPA3 AND REPLACED WITH CPA2 AGAIN				
	REV APPR: KBORUSZEWSKI	2020/06/23	3 PLACES ±	MVANSLAMBROU	2012/07/13					
			2 PLACES ± 0.1	CHKD BY	DATE	PRODUCT CUSTOMER DRAWING				
			1 PLACE ± 0.2	VKOSHY	2012/07/19					
			0 PLACES ± 0.5	APPR BY	DATE	SERIES MATERIAL NUMBER CUSTOMER 34899 SEE BOM GENERAL MARKET				
			DRAFT WHERE APPLICABLE MUST REMAIN WITHIN DIMENSIONS	VKOSHY	2012/07/24					
				DRAWING SIZE	THIRD ANGLE PROJECTION	DOCUMENT NUMBER DOC TYPE DOC PART SHEET NUMBER SD-34899-6001 PSD 001 2 OF 11				
			D							

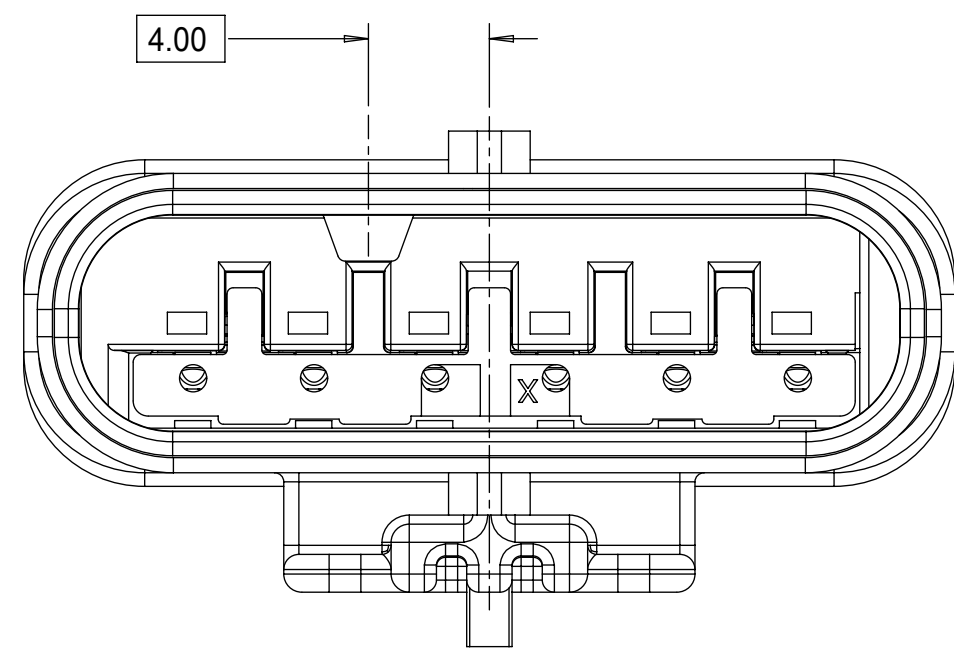
1x6 BLADE SEALED ASSEMBLY KEYING CONFIGURATIONS. FOR PART NUMBERS REFER TO BOM SHEET.



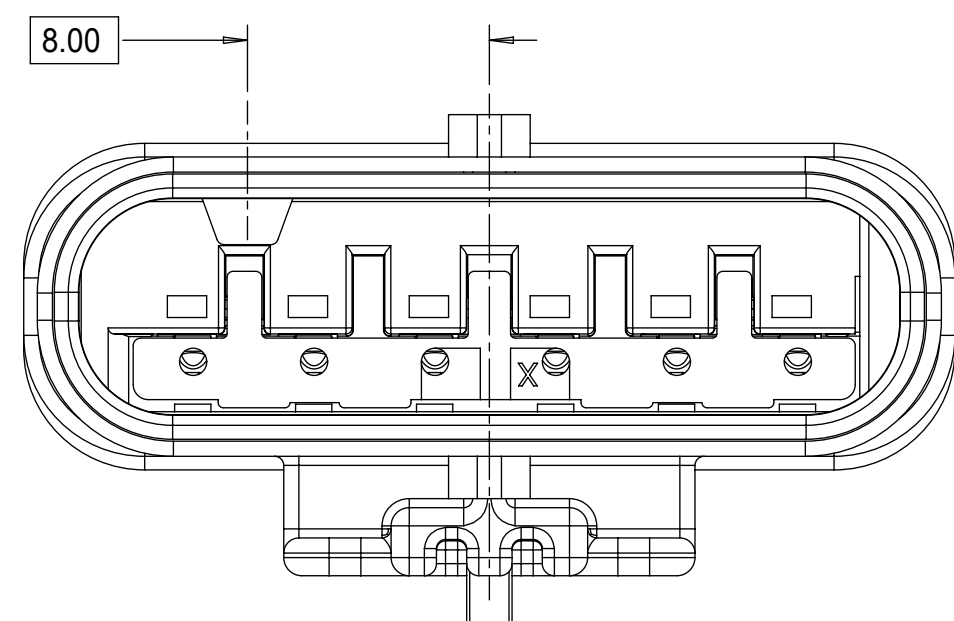
KEYING OPTION A



KEYING OPTION B



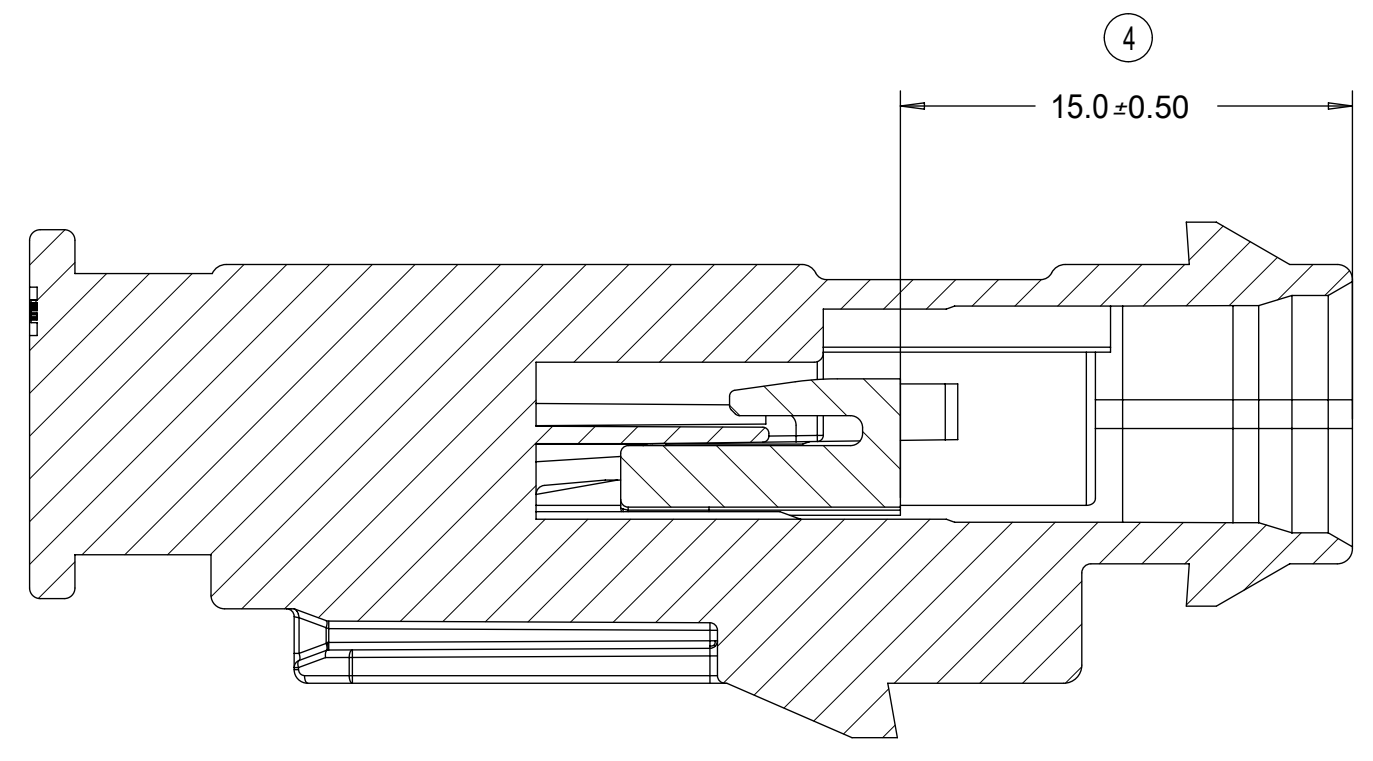
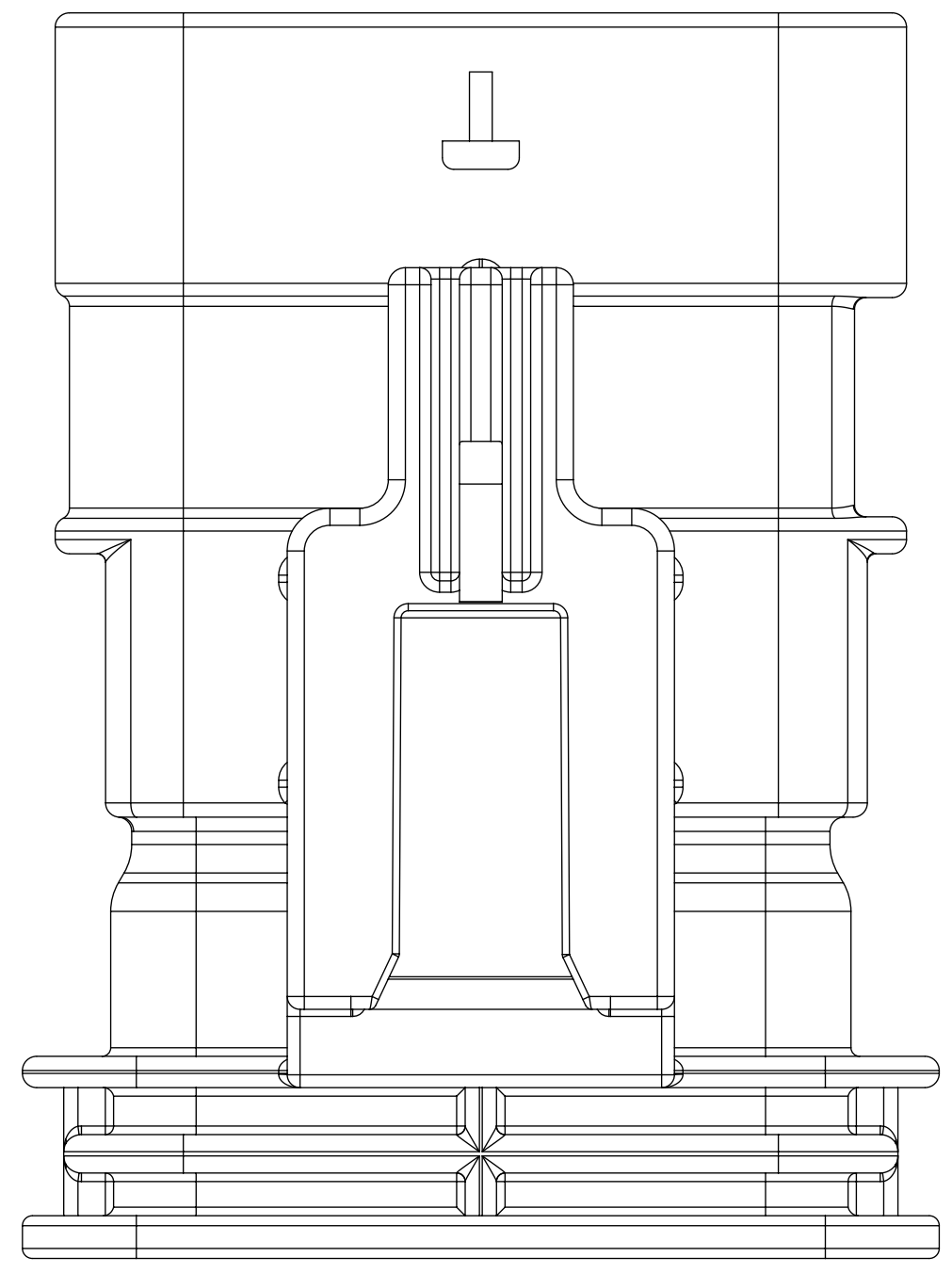
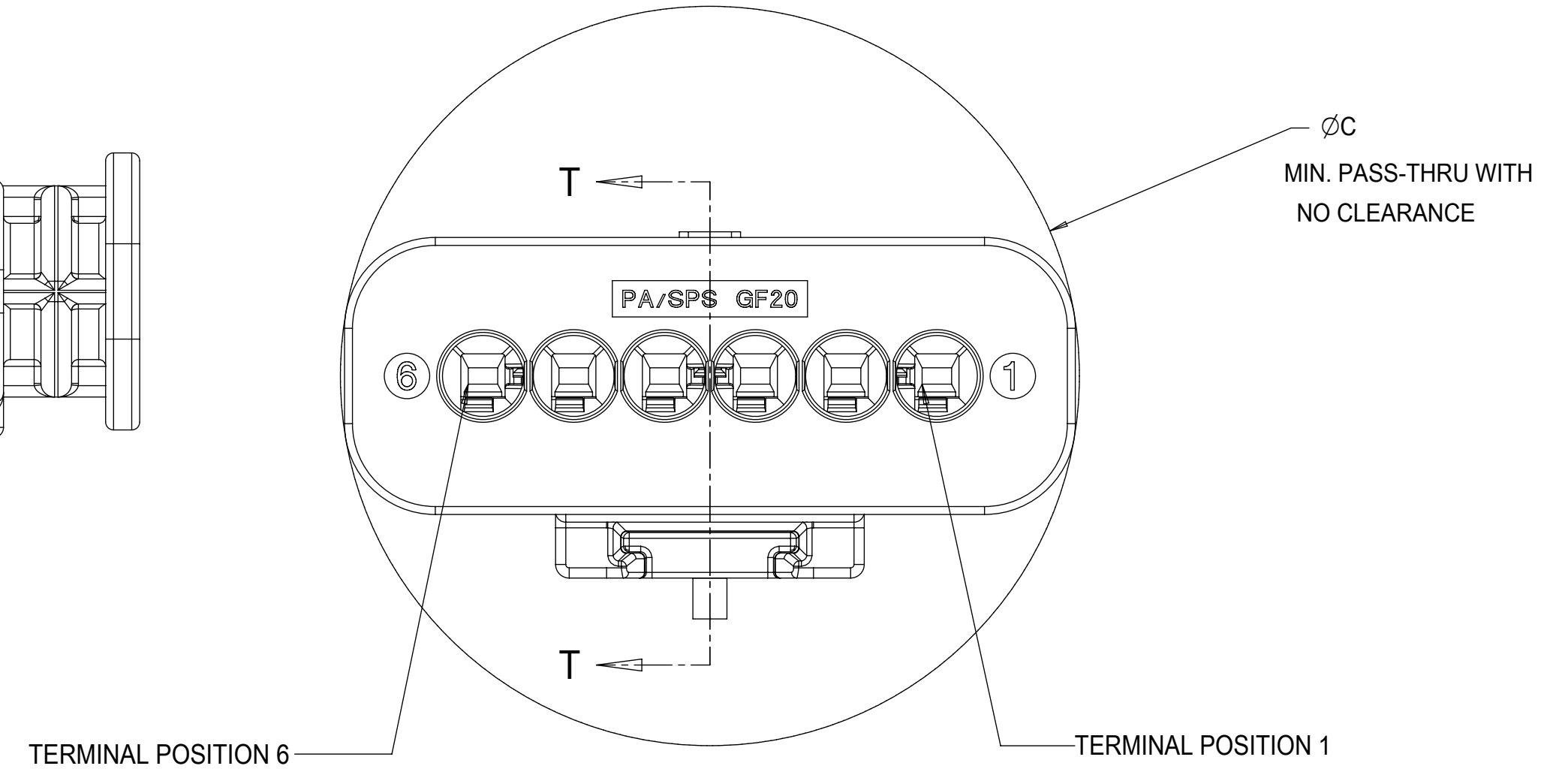
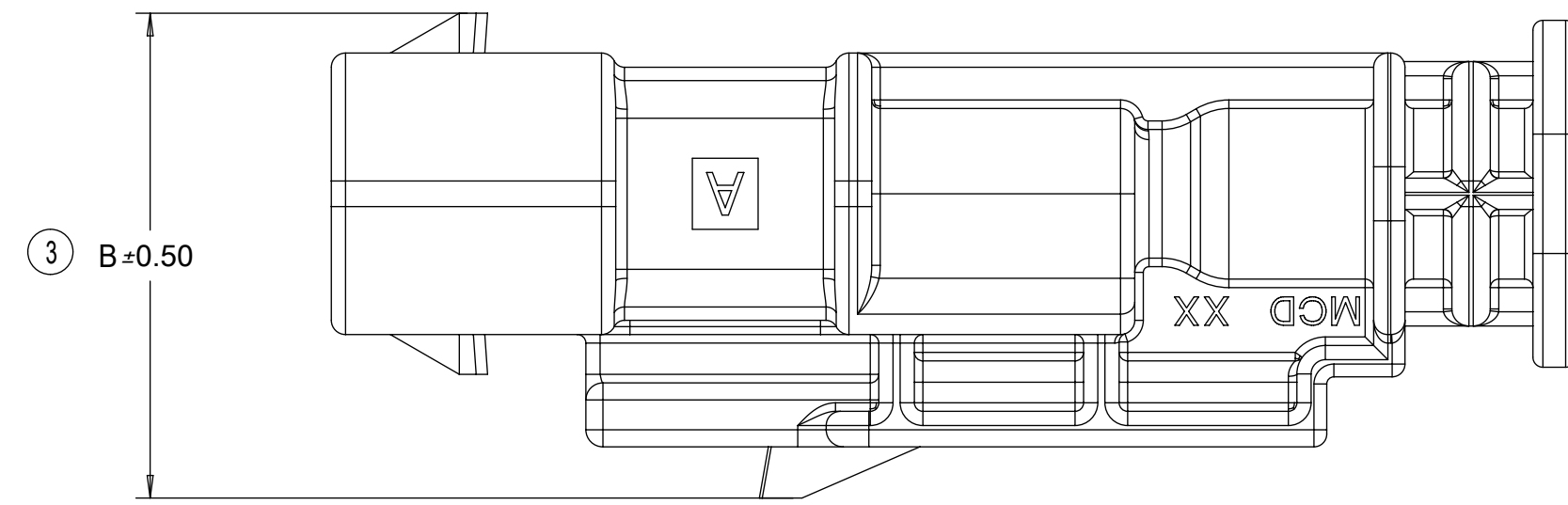
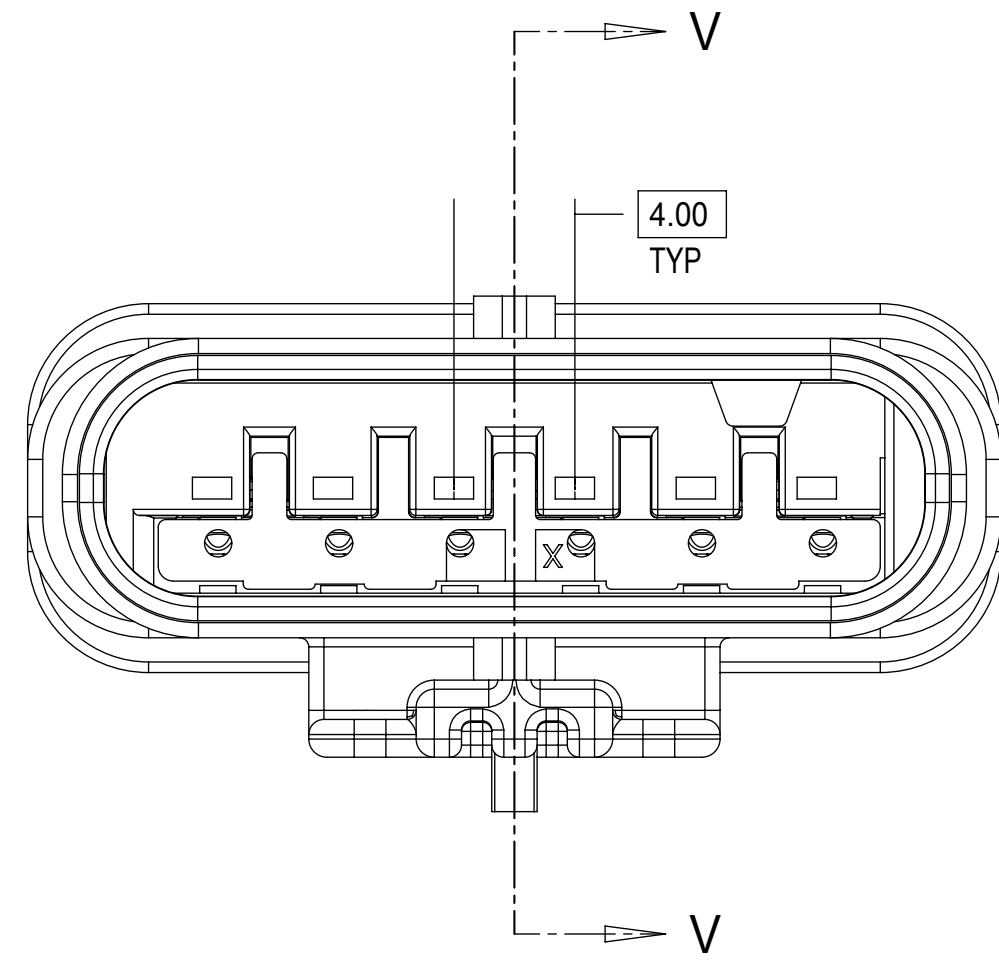
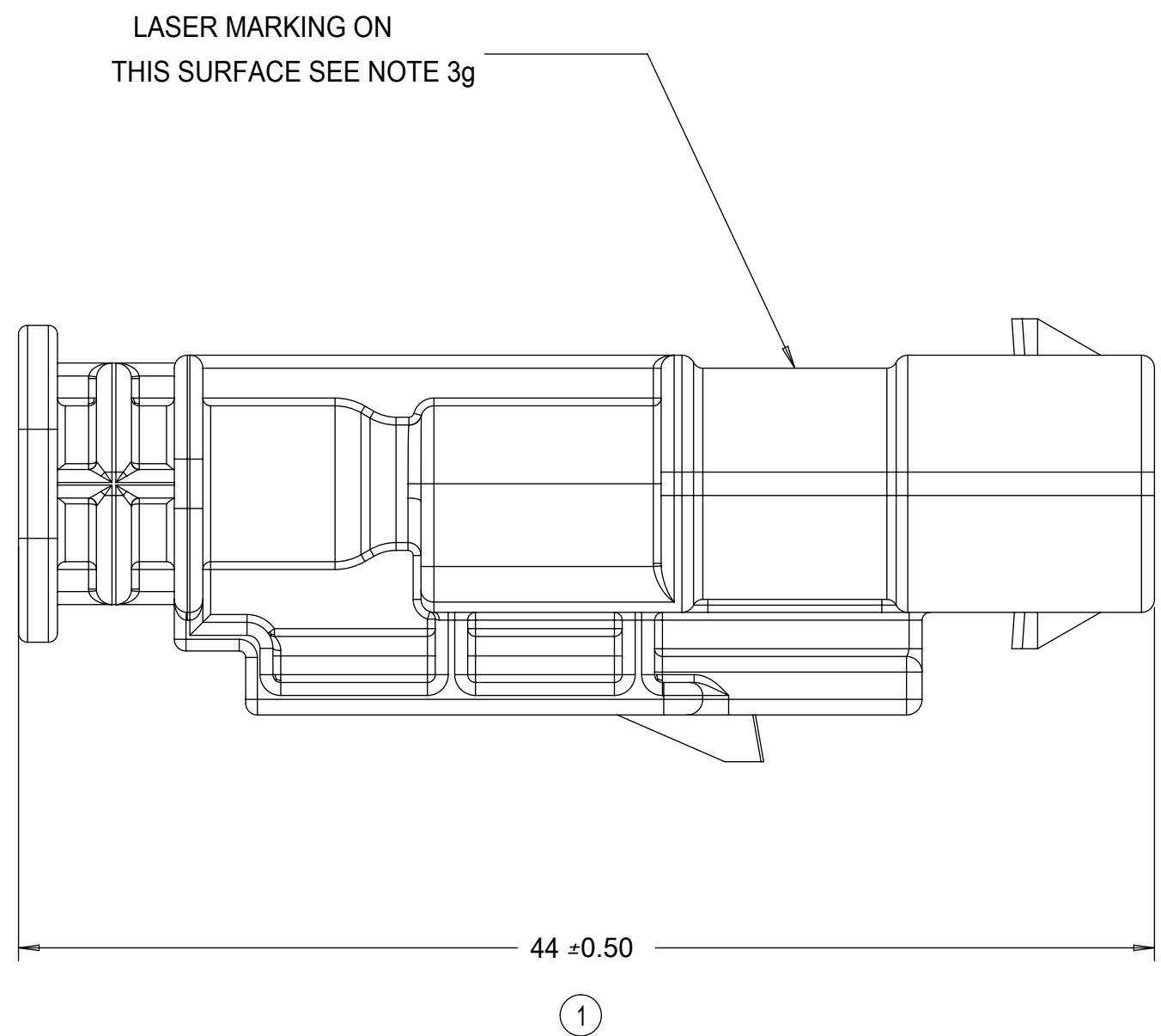
KEYING OPTION C



KEYING OPTION D

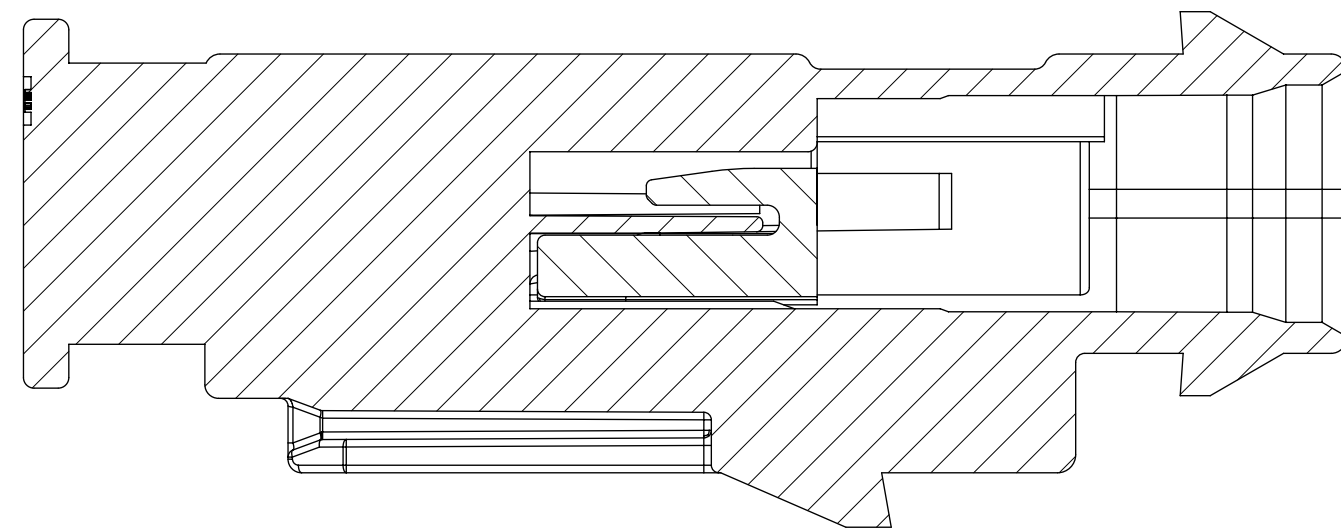
QUALITY SYMBOLS ▽ = 0 ▽ = 0 ▽ = 0 ▽ = 0 ▽ = 0 ▽ = 0 ▽ = 0 ▽ = 0 ▽ = 0		THIS DRAWING CONTAINS INFORMATION THAT IS PROPRIETARY TO MOLEX ELECTRONIC TECHNOLOGIES, LLC AND SHOULD NOT BE USED WITHOUT WRITTEN PERMISSION		GENERAL TOLERANCES (UNLESS SPECIFIED) ANGULAR TOL ± 3.0 ° 4 PLACES ± 3 PLACES ± 2 PLACES ± 0.1 1 PLACE ± 0.2 0 PLACES ± 0.5 DRAFT WHERE APPLICABLE MUST REMAIN WITHIN DIMENSIONS		DIMENSION UNITS: mm SCALE: 4:1 DRWN BY: MVANSLAMBROU DATE: 2012/07/13 CHKD BY: VKOSHY DATE: 2012/07/19 APPR BY: VKOSHY DATE: 2012/07/24 DRAWING SIZE: D THIRD ANGLE PROJECTION		molex 1.2MM 1X4, 1X6 BLADE SEALED ASSEMBLY CABLE SEAL 639764 - REMOVED CPA3 AND REPLACED WITH CPA2 AGAIN PRODUCT CUSTOMER DRAWING	
EC NO: 639764 DRWN: VYARAPPA CHKD: KBORUSZEWSKI REV: APPR: KBORUSZEWSKI		2017/05/08 2020/06/23 2020/06/23		SERIES: 34899 MATERIAL NUMBER: SEE BOM CUSTOMER: GENERAL MARKET		DOCUMENT NUMBER: SD-34899-6001 DOC TYPE: PSD DOC PART: 001 SHEET NUMBER: 3 OF 11			

BLADE SEALED ASSEMBLY



SECTION V-V

PRIMARY LOCK REINFORCEMENT (PLR) SHOWN IN THE PRE-STAGED POSITION



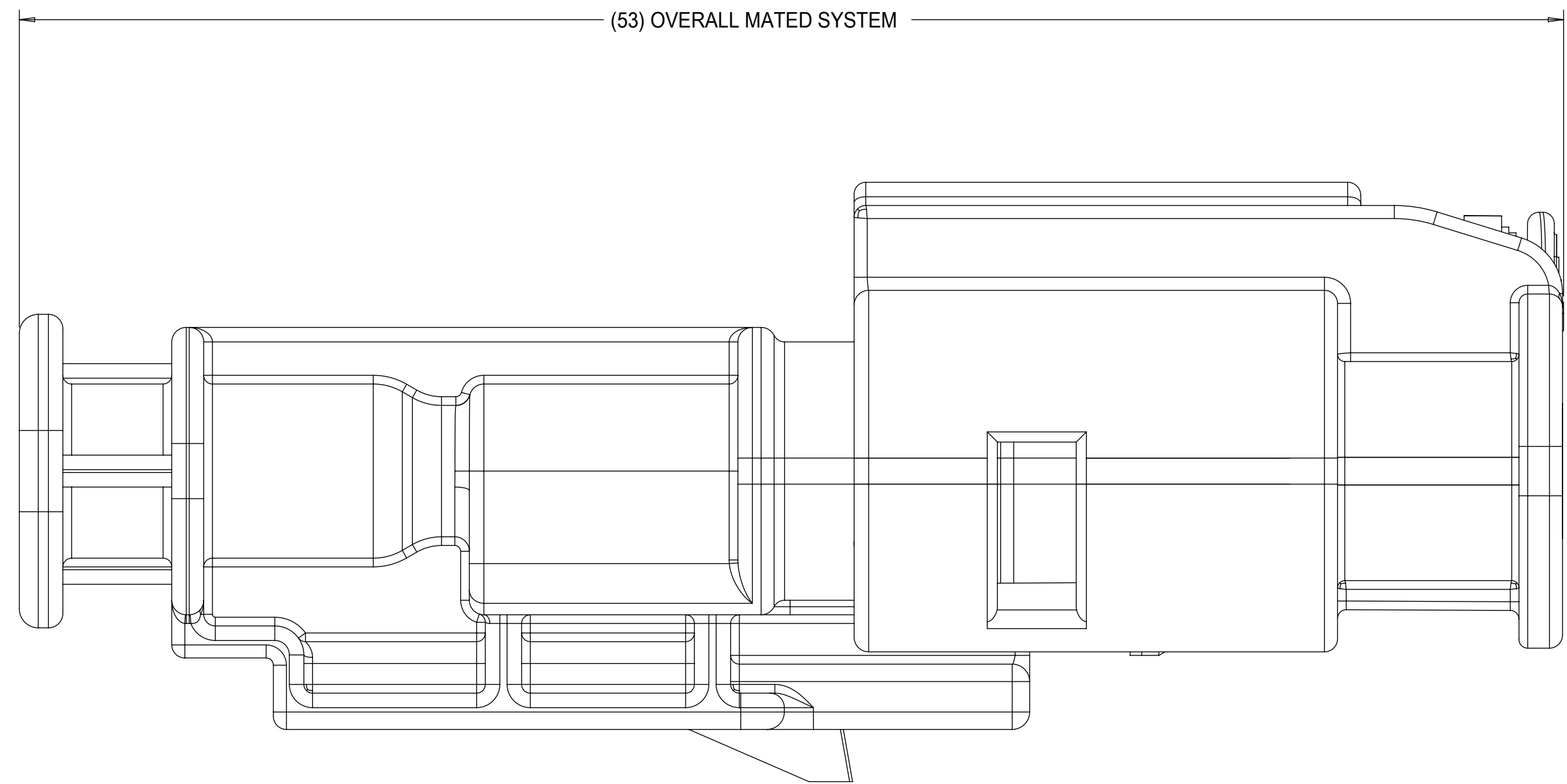
SECTION T-T

PRIMARY LOCK REINFORCEMENT (PLR) SHOWN IN THE FINAL-LOCK POSITION

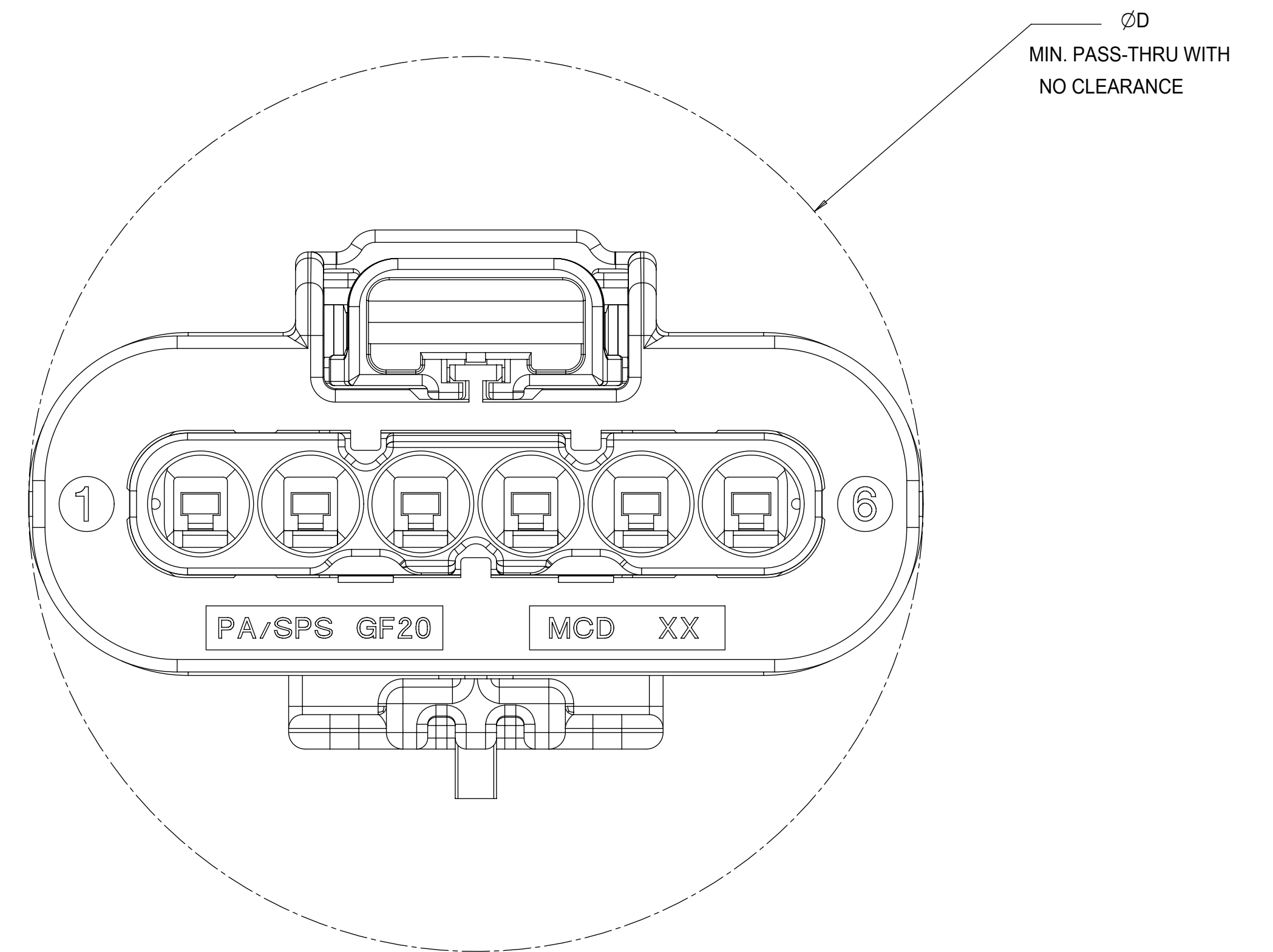
1x6 BLADE SEALED ASSEMBLY, 40G CLIP SLOT	17.5	32.75
1x6 BLADE SEALED ASSEMBLY, 11mm CLIP SLOT	16	32.75
1x6 BLADE SEALED ASSEMBLY, 7mm CLIP SLOT	17.25	32.75
1x4 BLADE SEALED ASSEMBLY, 40G CLIP SLOT	17.5	25.25
1x4 BLADE SEALED ASSEMBLY, 11mm CLIP SLOT	16	24.75
1x4 BLADE SEALED ASSEMBLY, 7mm CLIP SLOT	17.25	24.75
CONFIGURATION	B	C
CHARTED DIMENSIONS		

QUALITY SYMBOLS	THIS DRAWING CONTAINS INFORMATION THAT IS PROPRIETARY TO MOLEX ELECTRONIC TECHNOLOGIES, LLC AND SHOULD NOT BE USED WITHOUT WRITTEN PERMISSION								
<ul style="list-style-type: none"> ▽ = 0 ▽ = 0 ▽ = 0 ▽ = 0 ▽ = 0 ▽ = 0 ▽ = 0 ▽ = 0 ▽ = 0 	EC NO: 639764 DRWN: VYARAPPA CHKD: KBORUSZEWSKI REV APPR: KBORUSZEWSKI	2017/05/08 2020/06/23 2020/06/23	GENERAL TOLERANCES (UNLESS SPECIFIED) DIMENSION UNITS: mm SCALE: 4:1 ANGULAR TOL ± 3.0 ° 4 PLACES ± 3 PLACES ± 2 PLACES ± 0.1 1 PLACE ± 0.2 0 PLACES ± 0.5 DRAFT WHERE APPLICABLE MUST REMAIN WITHIN DIMENSIONS	DRWN BY: MVANSLAMBROU DATE: 2012/07/13 CHKD BY: VKOSHY DATE: 2012/07/19 APPR BY: VKOSHY DATE: 2012/07/24 DRAWING SIZE: D THIRD ANGLE PROJECTION		1.2MM 1X4, 1X6 BLADE SEALED ASSEMBLY CABLE SEAL 639764 - REMOVED CPA3 AND REPLACED WITH CPA2 AGAIN	PRODUCT CUSTOMER DRAWING	SERIES: 34899 MATERIAL NUMBER: SEE BOM CUSTOMER: GENERAL MARKET	DOCUMENT NUMBER: SD-34899-6001 DOC TYPE: PSD DOC PART: 001 SHEET NUMBER: 5 OF 11

CONNECTION SYSTEM PACKAGING

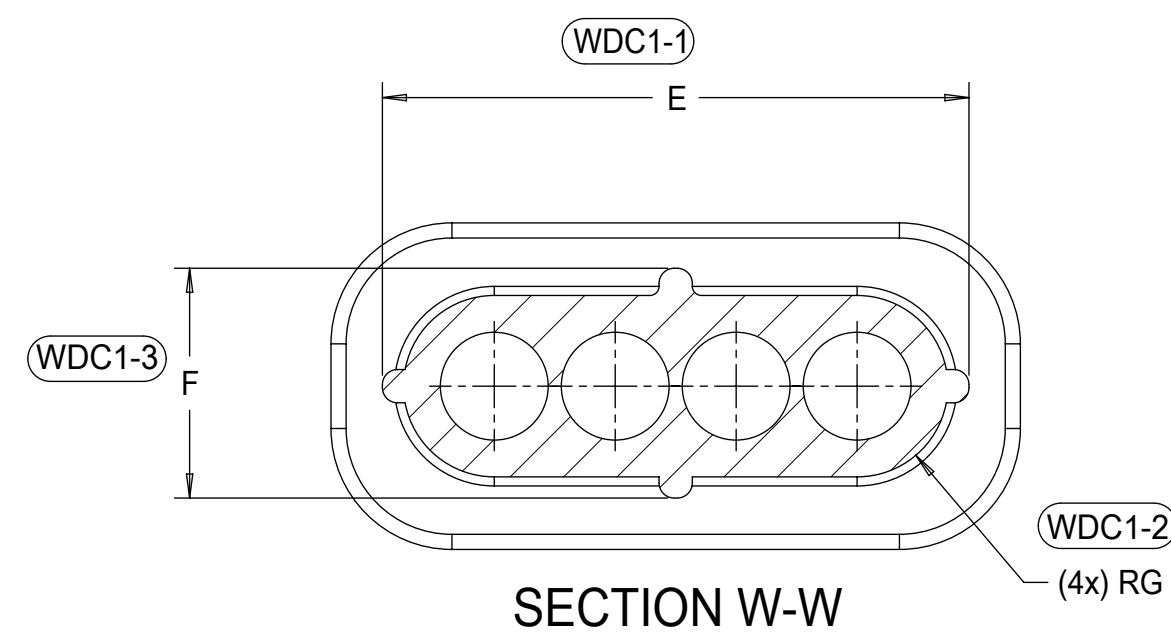


MODEL USED "AM-120-S-006-1-Z01"

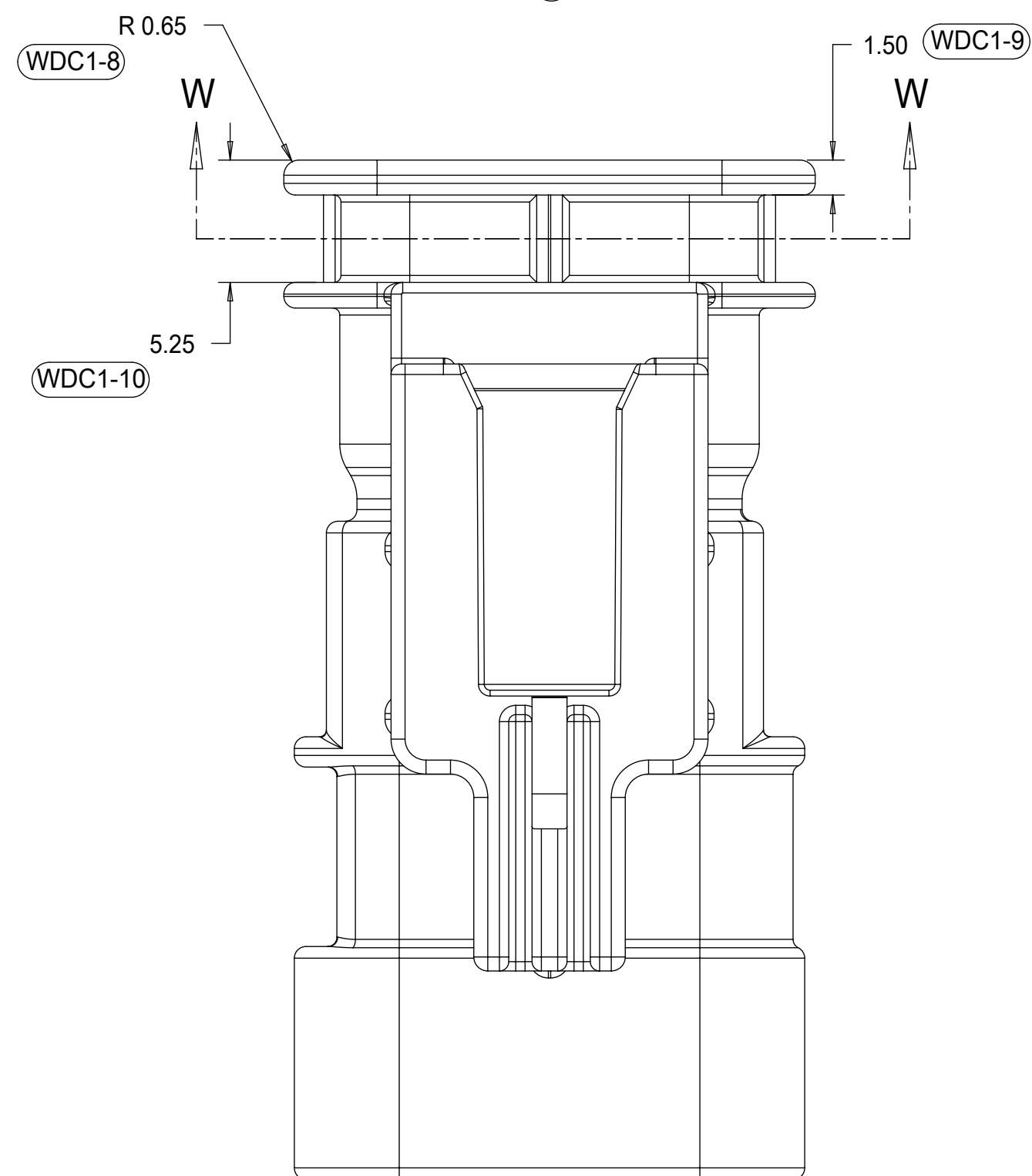
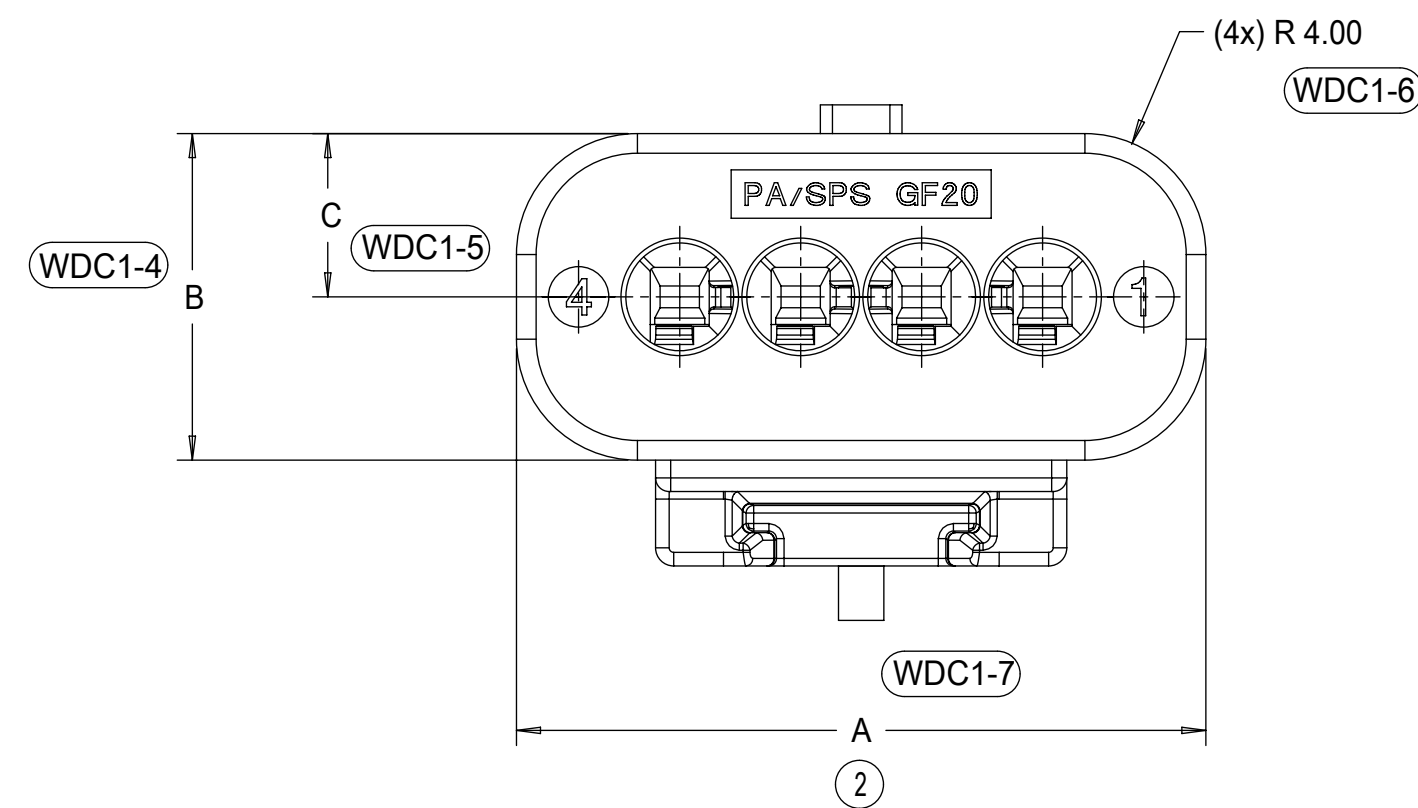


1x6 RECEPTACLE MATED TO 1x6 BLADE, 40 CLIP SLOT	TBD
1x6 RECEPTACLE MATED TO 1x6 BLADE, 11mm CLIP SLOT	33.5
1x6 RECEPTACLE MATED TO 1x6 BLADE, 7mm CLIP SLOT	33.5
1x4 RECEPTACLE MATED TO 1x4 BLADE, 40G CLIP SLOT	25.50
1x4 RECEPTACLE MATED TO 1x4 BLADE, 11mm CLIP SLOT	25.50
1x4 RECEPTACLE MATED TO 1x4 BLADE, 7mm CLIP SLOT	25.50
1.2mm CONNECTION SYSTEM CONFIGURATION	D
CHARTED DIMENSIONS	

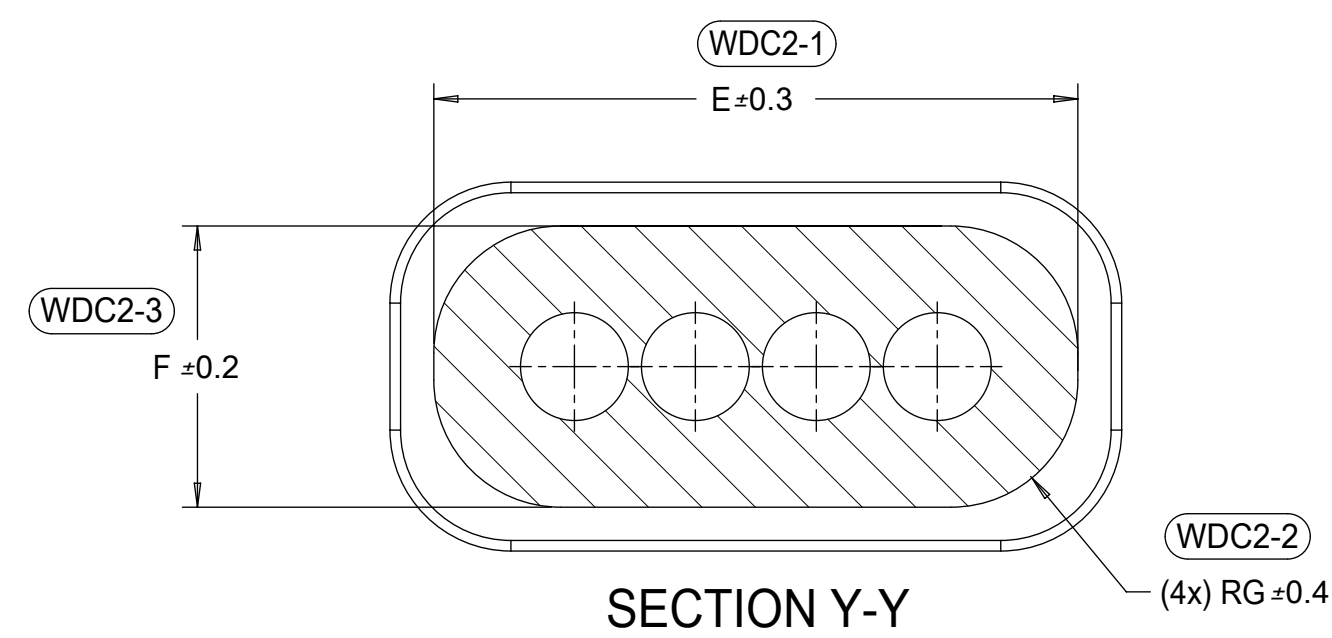
QUALITY SYMBOLS		THIS DRAWING CONTAINS INFORMATION THAT IS PROPRIETARY TO MOLEX ELECTRONIC TECHNOLOGIES, LLC AND SHOULD NOT BE USED WITHOUT WRITTEN PERMISSION			
▽ = 0	2017/05/08	GENERAL TOLERANCES (UNLESS SPECIFIED)	DIMENSION UNITS	SCALE	
▽ = 0	2020/06/23		mm	6:1	
▽ = 0	2020/06/23		DRWN BY	DATE	
▽ = 0	2020/06/23	ANGULAR TOL ± 3.0 °	MVANSLAMBROU	2012/07/13	1.2MM 1X4, 1X6 BLADE SEALED ASSEMBLY CABLE SEAL 639764 - REMOVED CPA3 AND REPLACED WITH CPA2 AGAIN
▽ = 0		4 PLACES ±	CHKD BY	DATE	
▽ = 0		3 PLACES ±	VKOSHY	2012/07/19	
▽ = 0		2 PLACES ± 0.1	APPR BY	DATE	PRODUCT CUSTOMER DRAWING
▽ = 0		1 PLACE ± 0.2	VKOSHY	2012/07/24	
▽ = 0		0 PLACES ± 0.5	DRAWING SIZE	THIRD ANGLE PROJECTION	
▽ = 0		DRAFT WHERE APPLICABLE MUST REMAIN WITHIN DIMENSIONS	D		SERIES: 34899 MATERIAL NUMBER: SEE BOM CUSTOMER: GENERAL MARKET
▽ = 0					DOCUMENT NUMBER: SD-34899-6001 DOC TYPE: PSD DOC PART: 001 SHEET NUMBER: 6 OF 11



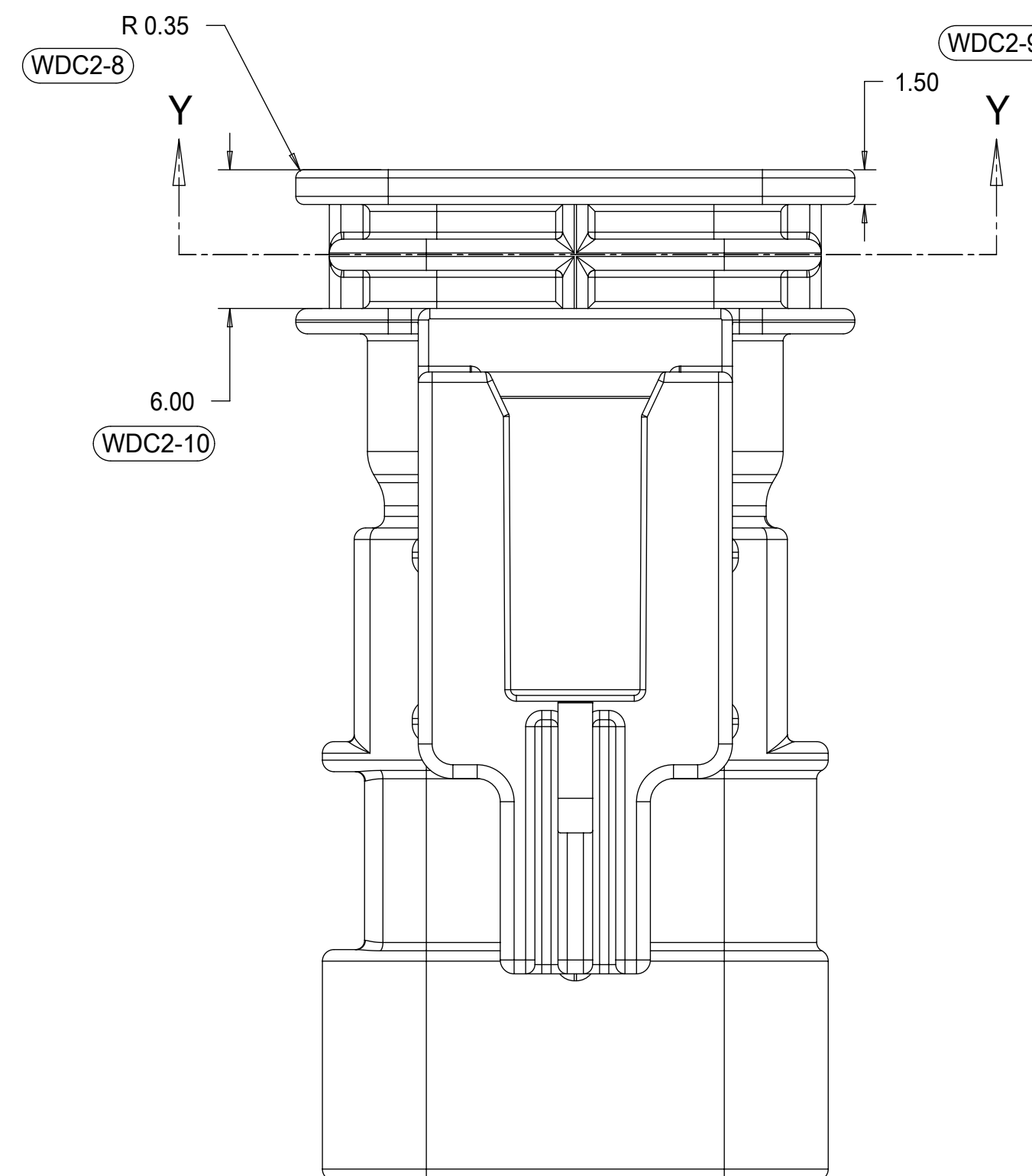
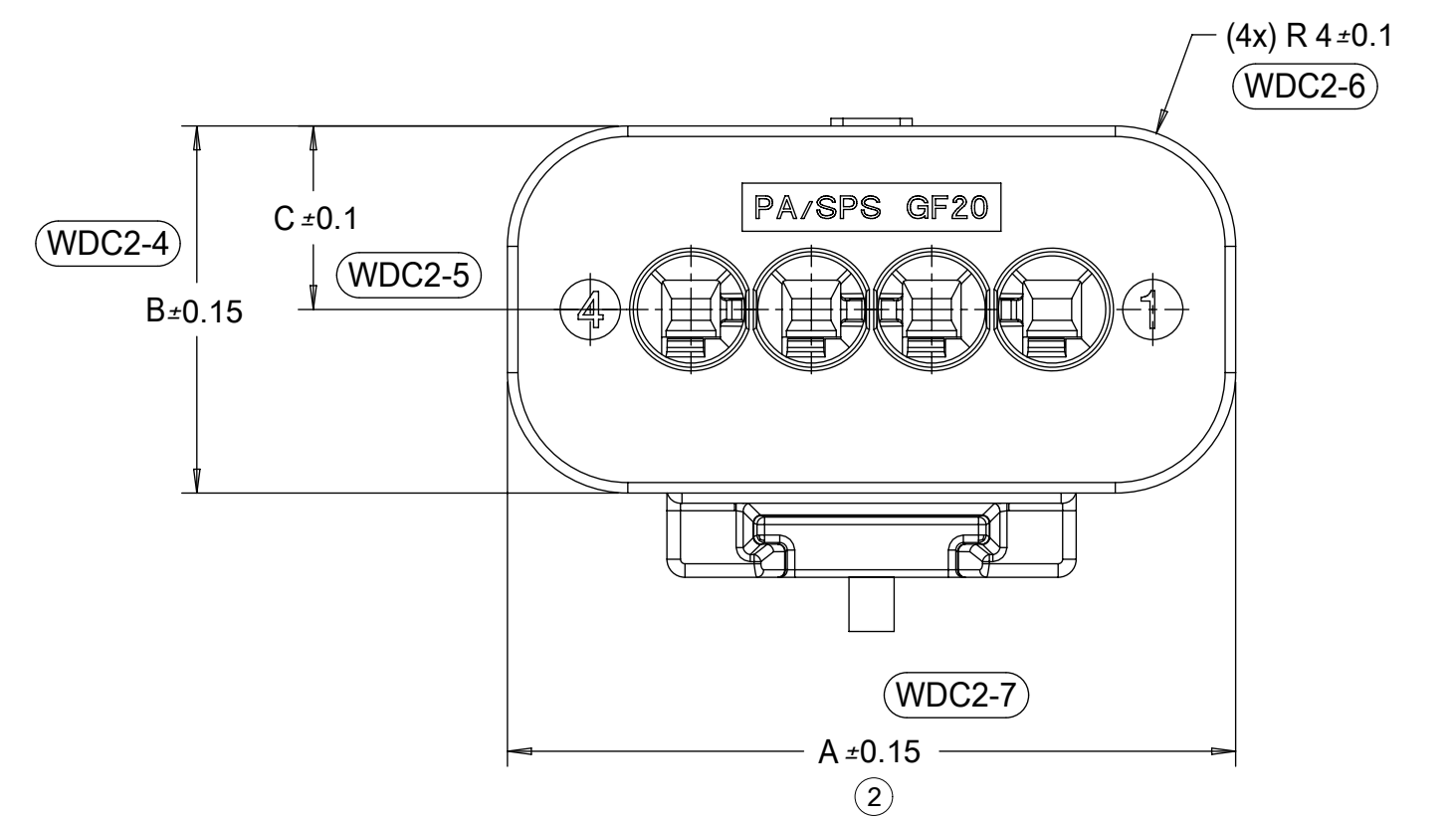
6 CIRCUIT	30.8	10.8	5.4	27.4	7.6	3.0
4 CIRCUIT	22.8	10.8	5.4	19.4	7.6	3.0
CONFIGURATION	A	B	C	E	F	G
CHARTED DIMENSIONS						



WIRE DRESS COVER
INTERFACE OPTION 1
WIRE DRESS COVERS
NOT AVAILABLE



6 CIRCUIT	32.2	12.2	6.1	29.3	9.3	4.2
4 CIRCUIT	24.2	12.2	6.1	21.3	9.3	4.2
CONFIGURATION	A	B	C	E	F	G
CHARTED DIMENSIONS						



WIRE DRESS COVER
INTERFACE OPTION 2
BASED ON HIRSCHMANN INTERFACE
DRAWING 808-012-xxx REV B5

QUALITY SYMBOLS 	THIS DRAWING CONTAINS INFORMATION THAT IS PROPRIETARY TO MOLEX ELECTRONIC TECHNOLOGIES, LLC AND SHOULD NOT BE USED WITHOUT WRITTEN PERMISSION		DIMENSION UNITS mm	SCALE 4:1			
	GENERAL TOLERANCES (UNLESS SPECIFIED) ANGULAR TOL ± 3.0 ° 4 PLACES ± 3 PLACES ± 2 PLACES ± 0.1 1 PLACE ± 0.2 0 PLACES ± 0.5 DRAFT WHERE APPLICABLE MUST REMAIN WITHIN DIMENSIONS	DRWN BY MVANSLAMBROU	DATE 2012/07/13	CHKD BY VKOSHY		DATE 2012/07/19	APPR BY VKOSHY
EC NO: 639764 DRWN: VYARAPPA CHKD: KBORUSZEWSKI REV APPR: KBORUSZEWSKI	2017/05/08 2020/06/23 2020/06/23	B16	DRAWING SIZE D	THIRD ANGLE PROJECTION	SERIES 34899	MATERIAL NUMBER SEE TABLE	CUSTOMER GENERAL MARKET
RELEASE STATUS P1	RELEASE DATE 2020/06/23	16:54:52	DOCUMENT NUMBER SD-34899-6001	DOC TYPE PSD	DOC PART 001	SHEET NUMBER 7 OF 11	

1x6 BLADE SEALED ASSEMBLY BOM FOR WIRE DRESS COVER INTERFACE 1 REFER WIRE DRESS INTERFACE SHEET FOR DETAILS

KEYING OPTION A, 40-G CLIP SLOT, BLACK	34899-6070																		A	CONCEPT	
KEYING OPTION A, 40-G CLIP SLOT, YELLOW	34899-6050																		A	CONCEPT	
KEYING OPTION D, 11mm CLIP SLOT, STONE GRAY	34899-6063																		D	OBSOLETE	
KEYING OPTION C, 11mm CLIP SLOT, DARK GRAY	34899-6062																		C	OBSOLETE	
KEYING OPTION B, 11mm CLIP SLOT, LIGHT GRAY	34899-6061																		B	OBSOLETE	
KEYING OPTION A, 11mm CLIP SLOT, BLACK	34899-6060																		A	OBSOLETE	
KEYING OPTION D, 11mm CLIP SLOT, YELLOW	34899-6043																		D	SALEABLE	
KEYING OPTION C, 11mm CLIP SLOT, YELLOW	34899-6042																		C	SALEABLE	
KEYING OPTION B, 11mm CLIP SLOT, YELLOW	34899-6041																		B	OBSOLETE	
KEYING OPTION A, 11mm CLIP SLOT, YELLOW	34899-6040																		A	SALEABLE	
KEYING OPTION D, 7mm CLIP SLOT, STONE GRAY	34899-6023																		D	OBSOLETE	
KEYING OPTION C, 7mm CLIP SLOT, DARK GRAY	34899-6022																		C	OBSOLETE	
KEYING OPTION B, 7mm CLIP SLOT, LIGHT GRAY	34899-6021																		B	SALEABLE	
KEYING OPTION A, 7mm CLIP SLOT, BLACK	34899-6020																		A	OBSOLETE	
KEYING OPTION D, 7mm CLIP SLOT, YELLOW	34899-6013																		D	SALEABLE	
KEYING OPTION C, 7mm CLIP SLOT, YELLOW	34899-6012																		C	SALEABLE	
KEYING OPTION B, 7mm CLIP SLOT, YELLOW	34899-6011																		B	OBSOLETE	
KEYING OPTION A, 7mm CLIP SLOT, YELLOW	34899-6010																		A	SALEABLE	
ASSEMBLY DESCRIPTION	ASSEMBLY PART NUMBER																			PRODUCTION TOOL STATUS	COMMENTS

PLR	NATURAL	SPS/NYLON GF20
1x6 CONNECTOR HOUSING, KEYING OPTION A 40G CLIP SLOT	BLACK	SPS/NYLON GF20
1x6 CONNECTOR HOUSING, KEYING OPTION A 40G CLIP SLOT	YELLOW	SPS/NYLON GF20
1x6 CONNECTOR HOUSING, KEYING OPTION D 11mm CLIP SLOT	STONE GRAY	SPS/NYLON GF20
1x6 CONNECTOR HOUSING, KEYING OPTION C 11mm CLIP SLOT	DARK GRAY	SPS/NYLON GF20
1x6 CONNECTOR HOUSING, KEYING OPTION B 11mm CLIP SLOT	LIGHT GRAY	SPS/NYLON GF20
1x6 CONNECTOR HOUSING, KEYING OPTION A 11mm CLIP SLOT	BLACK	SPS/NYLON GF20
1x6 CONNECTOR HOUSING, KEYING OPTION D 11mm CLIP SLOT	YELLOW	SPS/NYLON GF20
1x6 CONNECTOR HOUSING, KEYING OPTION C 11mm CLIP SLOT	YELLOW	SPS/NYLON GF20
1x6 CONNECTOR HOUSING, KEYING OPTION B 11mm CLIP SLOT	YELLOW	SPS/NYLON GF20
1x6 CONNECTOR HOUSING, KEYING OPTION A 11mm CLIP SLOT	YELLOW	SPS/NYLON GF20
1x6 CONNECTOR HOUSING, KEYING OPTION D 7mm CLIP SLOT	STONE GRAY	SPS/NYLON GF20
1x6 CONNECTOR HOUSING, KEYING OPTION C 7mm CLIP SLOT	DARK GRAY	SPS/NYLON GF20
1x6 CONNECTOR HOUSING, KEYING OPTION B 7mm CLIP SLOT	LIGHT GRAY	SPS/NYLON GF20
1x6 CONNECTOR HOUSING, KEYING OPTION A 7mm CLIP SLOT	BLACK	SPS/NYLON GF20
1x6 CONNECTOR HOUSING, KEYING OPTION D 7mm CLIP SLOT	YELLOW	SPS/NYLON GF20
1x6 CONNECTOR HOUSING, KEYING OPTION C 7mm CLIP SLOT	YELLOW	SPS/NYLON GF20
1x6 CONNECTOR HOUSING, KEYING OPTION B 7mm CLIP SLOT	YELLOW	SPS/NYLON GF20
1x6 CONNECTOR HOUSING, KEYING OPTION A 7mm CLIP SLOT	YELLOW	SPS/NYLON GF20
DESCRIPTION	COLOR	MATERIAL

BOM/APPLICABLE COMPONENTS TABLE

ABBREVIATION	COMPONENT
A	CONNECTOR HOUSING KEYING OPTION A
B	CONNECTOR HOUSING KEYING OPTION B
C	CONNECTOR HOUSING KEYING OPTION C
D	CONNECTOR HOUSING KEYING OPTION D
PLR	PLR

QUALITY SYMBOLS	THIS DRAWING CONTAINS INFORMATION THAT IS PROPRIETARY TO MOLEX ELECTRONIC TECHNOLOGIES, LLC AND SHOULD NOT BE USED WITHOUT WRITTEN PERMISSION			
▽ = 0	EC NO: 639764 DRWN: VYARAPPA CHKD: KBORUSZEWSKI REV APPR: KBORUSZEWSKI	GENERAL TOLERANCES (UNLESS SPECIFIED)	DIMENSION UNITS	
▽ = 0		ANGULAR TOL ± 3.0 °	SCALE	
▽ = 0		4 PLACES ±	mm	2:1
▽ = 0		3 PLACES ±	DRWN BY	DATE
▽ = 0	2 PLACES ± 0.1	MVANSLAMBROU	2012/07/13	
▽ = 0	1 PLACE ± 0.2	CHKD BY	DATE	
▽ = 0	0 PLACES ± 0.5	VKOSHY	2012/07/19	
▽ = 0	DRAFT WHERE APPLICABLE MUST REMAIN WITHIN DIMENSIONS	APPR BY	DATE	
▽ = 0		VKOSHY	2012/07/24	
▽ = 0		DRAWING SIZE	THIRD ANGLE PROJECTION	
		D		
RELEASE STATUS	P1	RELEASE DATE	2020/06/23 16:54:52	
molex®		1.2MM 1X4, 1X6 BLADE SEALED ASSEMBLY CABLE SEAL 639764 - REMOVED CPA3 AND REPLACED WITH CPA2 AGAIN		
PRODUCT CUSTOMER DRAWING		SERIES	MATERIAL NUMBER	
		34899	SEE BOM	
		CUSTOMER	GENERAL MARKET	
DOCUMENT NUMBER	SD-34899-6001	DOC TYPE	PSD	
DOC PART	001	SHEET NUMBER	10 OF 11	

TABLE OF CONTENTS

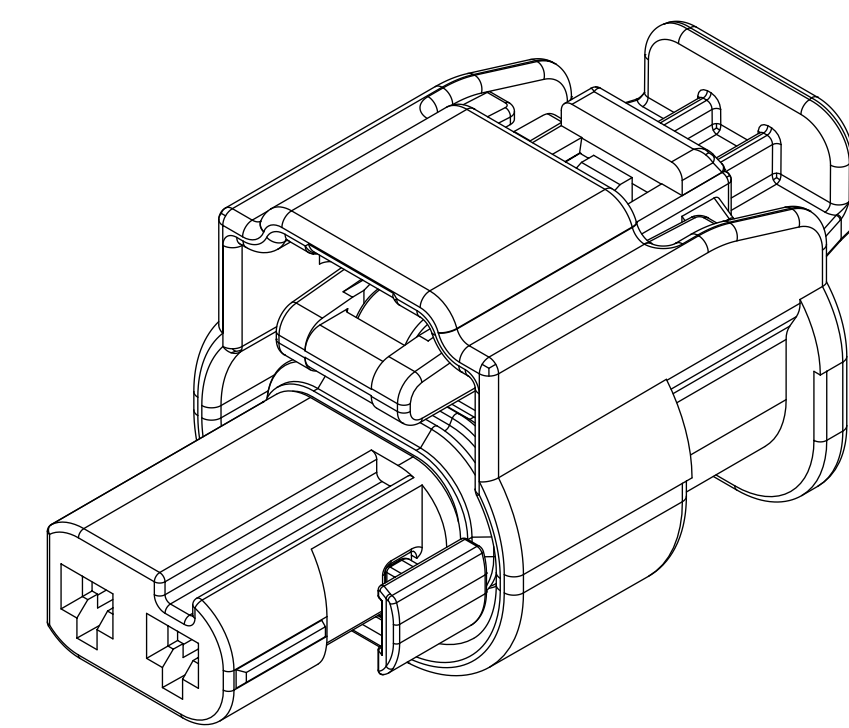
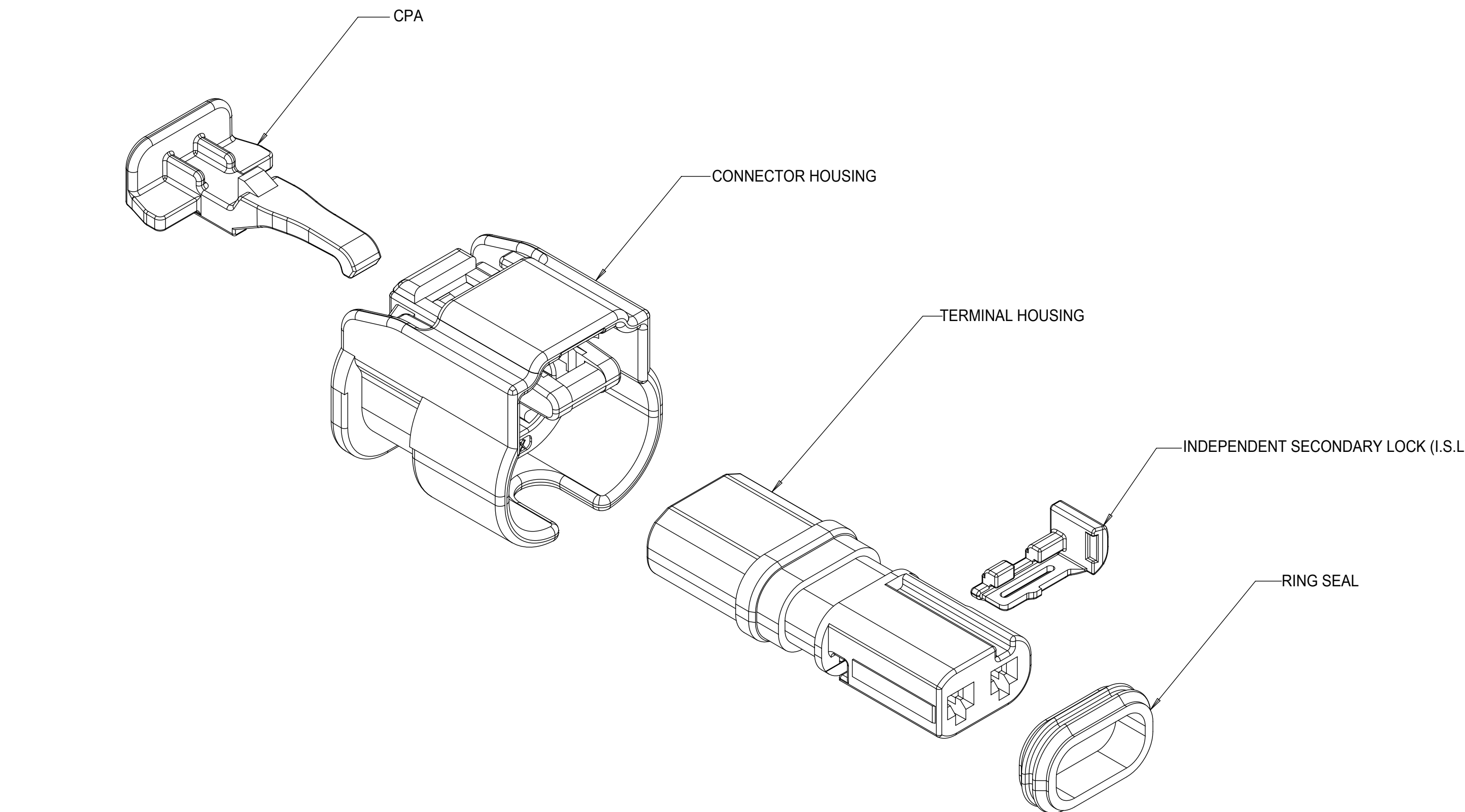
SHEET NO.	SHEET DESCRIPTION
1	NOTES
2	1x2 RECEPTACLE SEALED ASSEMBLY KEYING CONFIGURATIONS
3	1x3 RECEPTACLE SEALED ASSEMBLY KEYING CONFIGURATIONS
4	RECEPTACLE SEALED ASSEMBLY
5	1x2 RECEPTACLE SEALED ASSEMBLY BOM SHEET 1
6	1x3 RECEPTACLE SEALED ASSEMBLY BOM SHEET 1
7	OBSOLETE PART NUMBERS

NOTES: VALID UNLESS OTHERWISE SPECIFIED

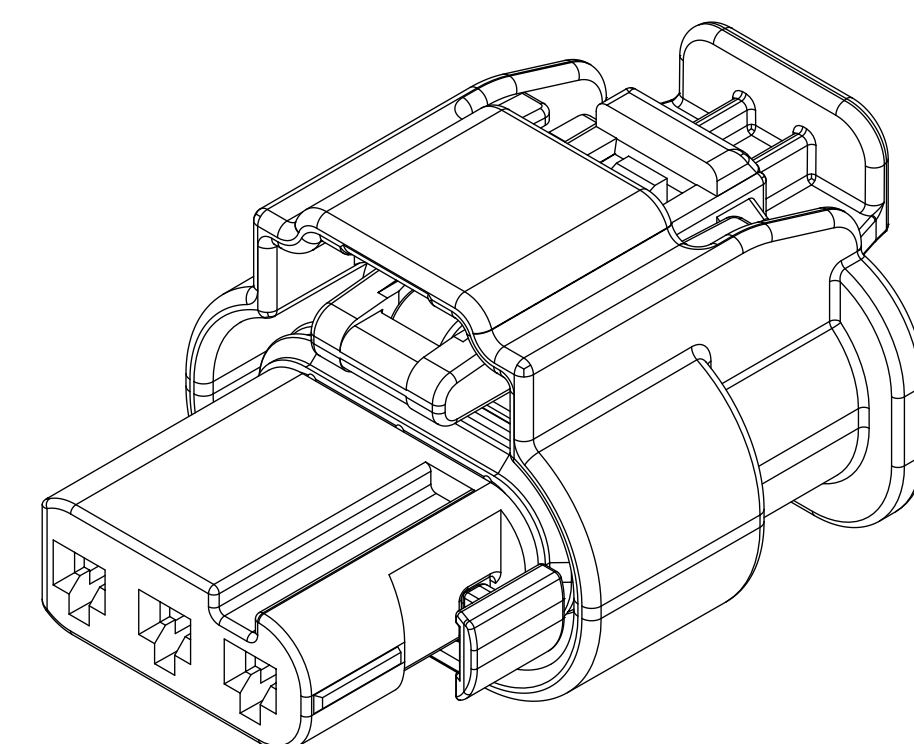
1. GENERAL:
 - a. APPLICATION SPECIFICATION SEE: AS-34900-0001
CONTAINS: PRODUCT INTRODUCTION, PRODUCT SUMMARY, CONNECTOR ASSEMBLY, PACKAGING INFORMATION, CONNECTOR MATING, SERVICE INSTRUCTIONS, ELECTRICAL CONTINUITY CHECKING, CRIMPING, AND TROUBLESHOOTING.
 - b. PRODUCT SPECIFICATION SEE: PS-34900-0001
CONTAINS: PRODUCT INTRODUCTION, PRODUCT SUMMARY, RATINGS (CURRENT, TEMPERATURE, SEALING, AND FLAMMABILITY), AND PRODUCT VALIDATION.
 - c. PACKAGING SPECIFICATION PER MOLEX DRAWING: PK-31301-898
 - d. PARTS MUST BE IN COMPLIANCE TO MOLEX CHEMICAL SUBSTANCES FOR PRODUCTS AND PACKAGING SPECIFICATION: ES-40000-5016
 - e. DATA MUST BE SUBMITTED UNDER THE MOLEX PART NUMBER TO IMDS (COMPANY ID#13255)
 - f. DESIGNED TO MATE WITH DEVICE CONNECTION AS SPECIFIED IN BOM CHART
USCAR DRAWINGS AND MODELS ARE AVAILABLE AT <http://ewcap.uscarteams.org/>.

2. DESIGN - MATERIALS:
 - a. SEE BOM TABLE

3. DESIGN - GEOMETRY:
 - a. THIS IS A 100% CAD GENERATED PART. THE CAD MATHEMATICAL DATA IS THE MASTER FOR THIS PART. FOR DIMENSIONAL OR ANY INFORMATION NOT SHOWN ON THIS DRAWING, ANALYZE THE CAD MODEL.
 - b. GEOMETRIC DIMENSIONS AND TOLERANCES PER ASME Y14.5M - 1994
 - c. EDGES AND UNDIMENSIONED DETAILS PER ISO13715
 - d. CORNERS SHOWN AS SHARP TO BE R 0.2 MAX.
 - e. LETTERING SHALL BE 0.15 MAX RAISED IN 0.25 MAX RECESS PAD.
THIS INCLUDES RECYCLING CODE, CAVITY ID, VENDOR IDENTIFICATION, AND CUSTOMER MATERIAL NUMBER.
 - f. VISUAL DEFECTS SHALL MEET COSMETIC STANDARD PS-45499-002 (Class B)
 - g. LASER MARKING:
 1. PART NUMBER
 2. DAY OF THE YEAR
 3. SHIFT
 4. YEAR



1x2 RECEPTACLE SEALED ASSEMBLY



1x3 RECEPTACLE SEALED ASSEMBLY

C7	RETURNED CPA3 TO CPA2
C6	CHANGED 1X2 KEY E STATUS
C5	CHANGED CPA2 TO CPA3
C4	ADDED WIRE DRESS COVERS
C3	ADDED CPA2 PNs
C2	UPDATED STATUS OF PNs
C1	- NX-REMASTERING FROM MODEL MANAGER - 1X2 KEY C MADE SALEABLE
C	34900-3127 RELEASED AS SALEABLE
B	PRIMARY KEYS (A,B) MOVED TO SALEABLE
A10	ADDED 1X3 SEVERE VIBRATION PART NUMBER
A9	1X2 AND 1X3 PART # UPDATED DIMENSION 2 UPDATED
A8	1X2 PART # UPDATED TO "TOOLED BUT NOT VALIDATED"
A7	1X2 PART # UPDATED TO "TOOLED BUT NOT VALIDATED"
A6	ADDED NEW PART NUMBERS FOR LATCH IMPROVEMENT
A5	BOM CORRECTIONS AND UPDATES
A4	BOM CORRECTIONS AND UPDATES
A3	1x2, 1x3 NON-SIR OK TO TOOL
A2	MINOR BOM CORRECTIONS
A1	ADDED COMPONENTS TO BOM
A	ADDED BLACK PART NUMBERS AND MINOR BOM UPDATES
3	ADDED 1x3
2	MINOR BOM CORRECTIONS
1	INITIAL RELEASE
REV	DESCRIPTION

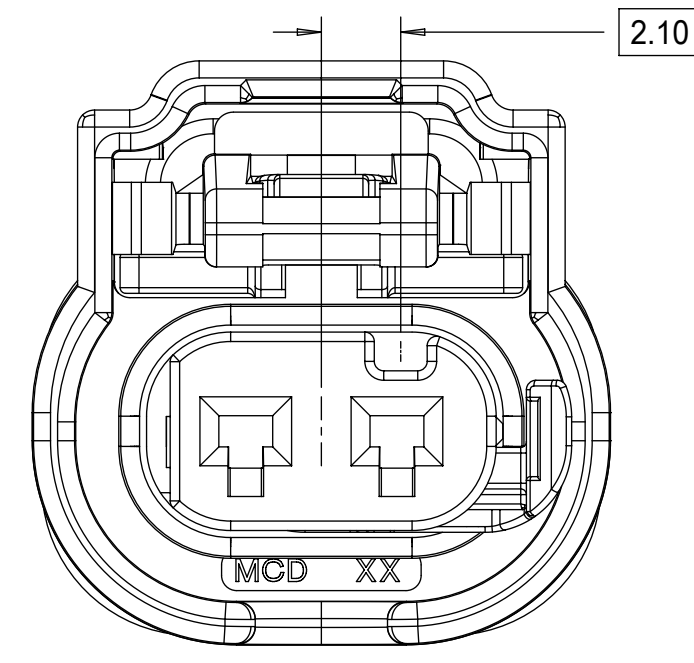
QUALITY SYMBOLS	THIS DRAWING CONTAINS INFORMATION THAT IS PROPRIETARY TO MOLEX ELECTRONIC TECHNOLOGIES, LLC AND SHOULD NOT BE USED WITHOUT WRITTEN PERMISSION					
▽ = 0	EC NO: 639764 DRWN: GELLIOTTO1 CHKD: KBORUSZEWSKI REV APPR: KBORUSZEWSKI	GENERAL TOLERANCES (UNLESS SPECIFIED)		DIMENSION UNITS	SCALE	
▽ = 0		ANGULAR TOL ± °		mm	4:1	
▽ = 0		4 PLACES ±	3 PLACES ±	DRWN BY	DATE	
▽ = 0		2 PLACES ± 0.1	1 PLACE ± 0.2	MVANSLAMBROU	2012/02/15	
▽ = 0	0 PLACES ± 0.5	DRAFT WHERE APPLICABLE MUST REMAIN WITHIN DIMENSIONS		CHKD BY	DATE	
▽ = 0				2013/11/06		
▽ = 0				APPR BY	DATE	
▽ = 0				GGA	2012/12/13	
▽ = 0				DRAWING SIZE	THIRD ANGLE PROJECTION	
▽ = 0				D		
				SERIES	MATERIAL NUMBER	CUSTOMER
				34900	SEE TABLE	GENERAL MARKET
				DOCUMENT NUMBER	DOC TYPE	DOC PART SHEET NUMBER
				SD-34900-2001	PSD	001 1 OF 7



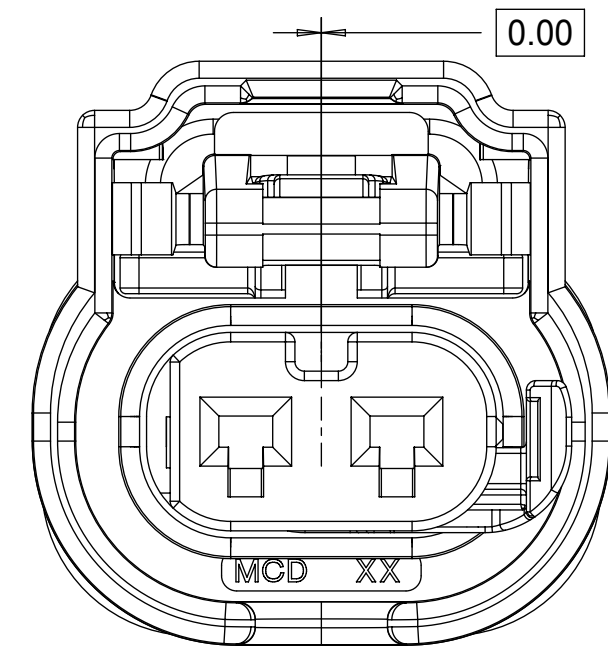
1.2MM 1X2, 1X3 RECPT. SEALED ASSEMBLY CABLE SEAL 621905: ADDED CPA2 PNs, RE-ADDED PNs USING TERMINAL H

PRODUCT CUSTOMER DRAWING

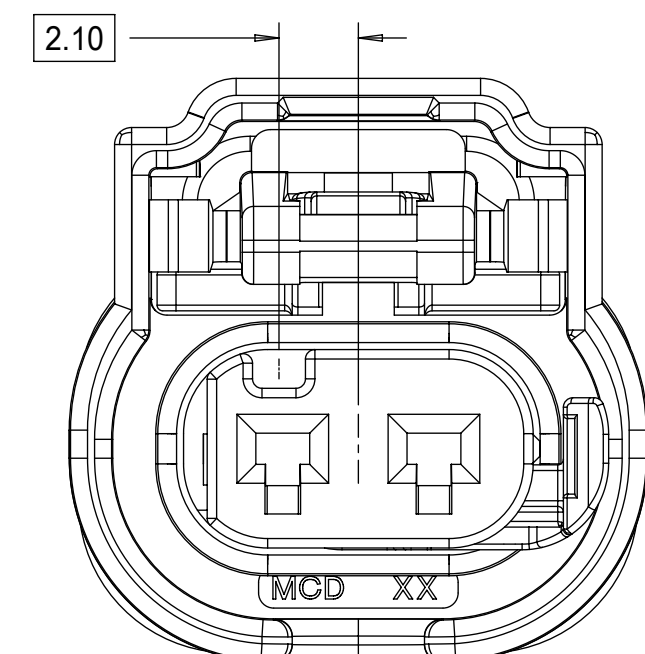
1x2 RECEPTACLE SEALED ASSEMBLY KEYING CONFIGURATIONS. FOR PART NUMBERS REFER TO BOM SHEET.



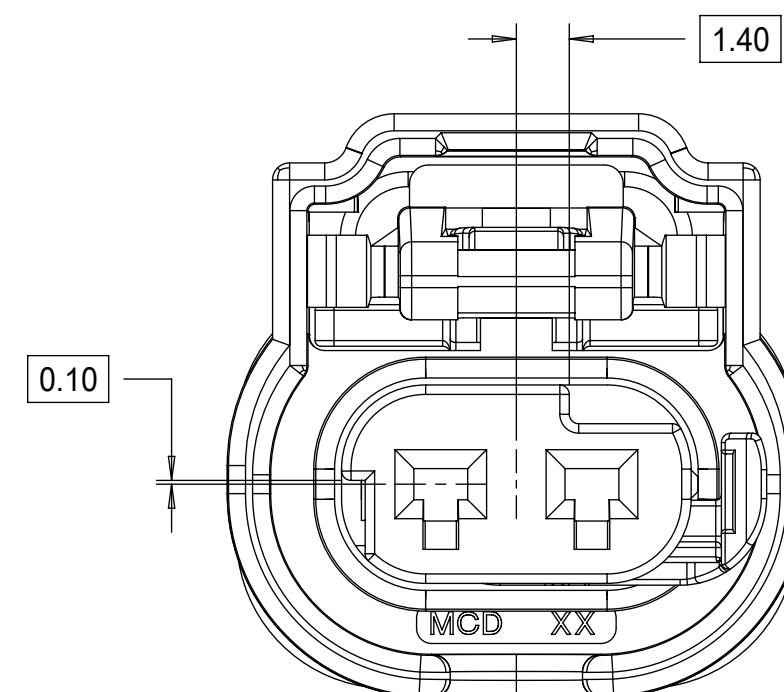
KEYING OPTION A





KEYING OPTION B



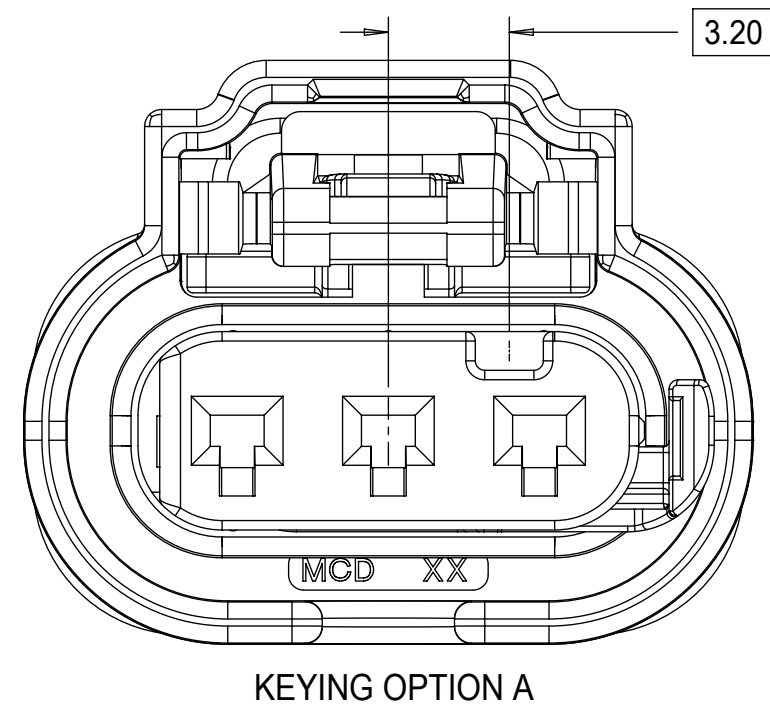
KEYING OPTION C



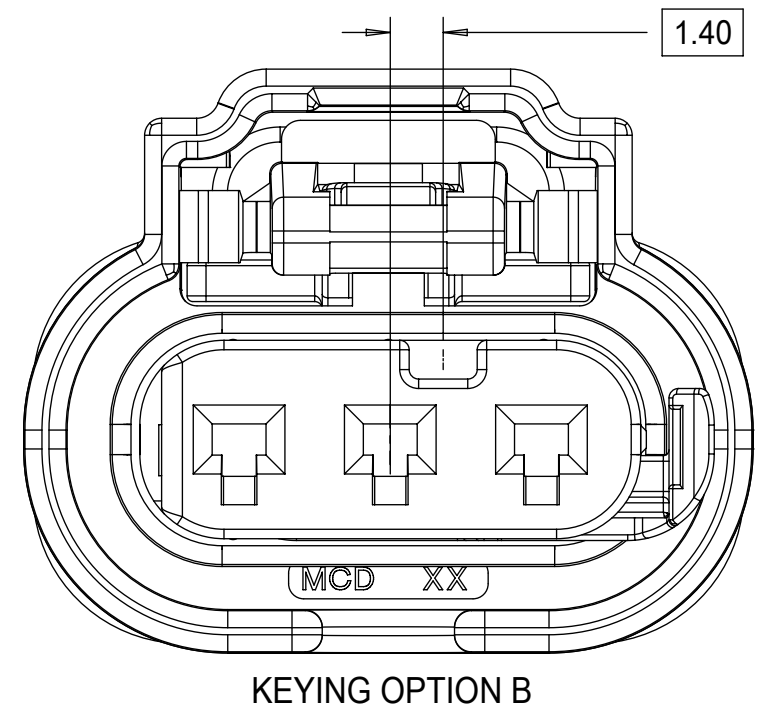
KEYING OPTION E

THIS DRAWING CONTAINS INFORMATION THAT IS PROPRIETARY TO MOLEX ELECTRONIC TECHNOLOGIES, LLC AND SHOULD NOT BE USED WITHOUT WRITTEN PERMISSION										
QUALITY SYMBOLS □ = 0 ▽ = 0 ▽ = 0 ▽ = 0 ▽ = 0 ▽ = 0 ▽ = 0 ▽ = 0 ▽ = 0 ▽ = 0	2020/06/17	GENERAL TOLERANCES (UNLESS SPECIFIED)		DIMENSION UNITS	SCALE	 1.2MM 1X2, 1X3 RECPT. SEALED ASSEMBLY CABLE SEAL 621905: ADDED CPA2 PNS, RE-ADDED PNS USING TERMINAL H				
	DRWN: GELLIOTTO1	2020/06/23	4 PLACES ±	mm	5:1					
	CHKD: KBORUSZEWSKI	2020/06/23	3 PLACES ±	ANGULAR TOL ± °	DRWN BY	DATE	PRODUCT CUSTOMER DRAWING SERIES: 34900 MATERIAL NUMBER: SEE BOM CUSTOMER: GENERAL MARKET			
	REV: APPR: KBORUSZEWSKI	2020/06/23	2 PLACES ± 0.1	0 PLACES ± 0.5	CHKD BY	DATE				
	EC NO: 639764		1 PLACE ± 0.2	DRAFT WHERE APPLICABLE MUST REMAIN WITHIN DIMENSIONS	APPR BY	DATE	DOCUMENT NUMBER: SD-34900-2001 DOC TYPE: PSD DOC PART: 001 SHEET NUMBER: 2 OF 7			
			0 PLACES ± 0.5		GGA	2012/12/13				
					DRAWING SIZE	THIRD ANGLE PROJECTION				
					D					

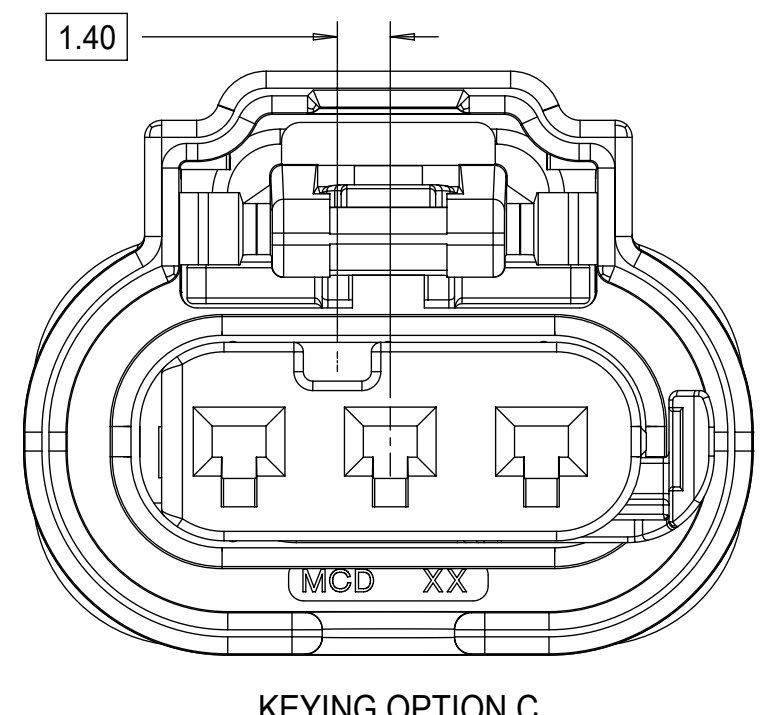
1x3 RECEPTACLE SEALED ASSEMBLY KEYING CONFIGURATIONS. FOR PART NUMBERS REFER TO BOM SHEET.



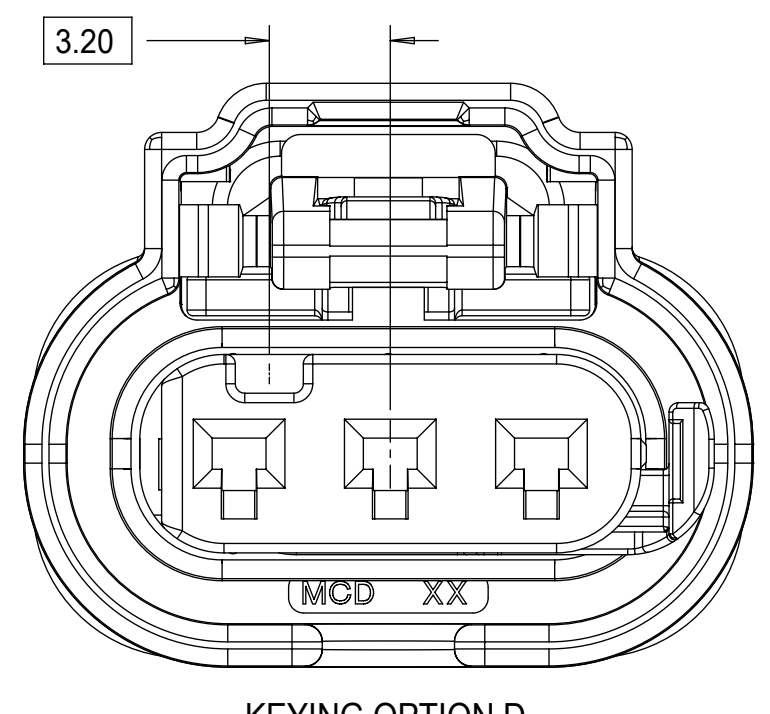
KEYING OPTION A



KEYING OPTION B

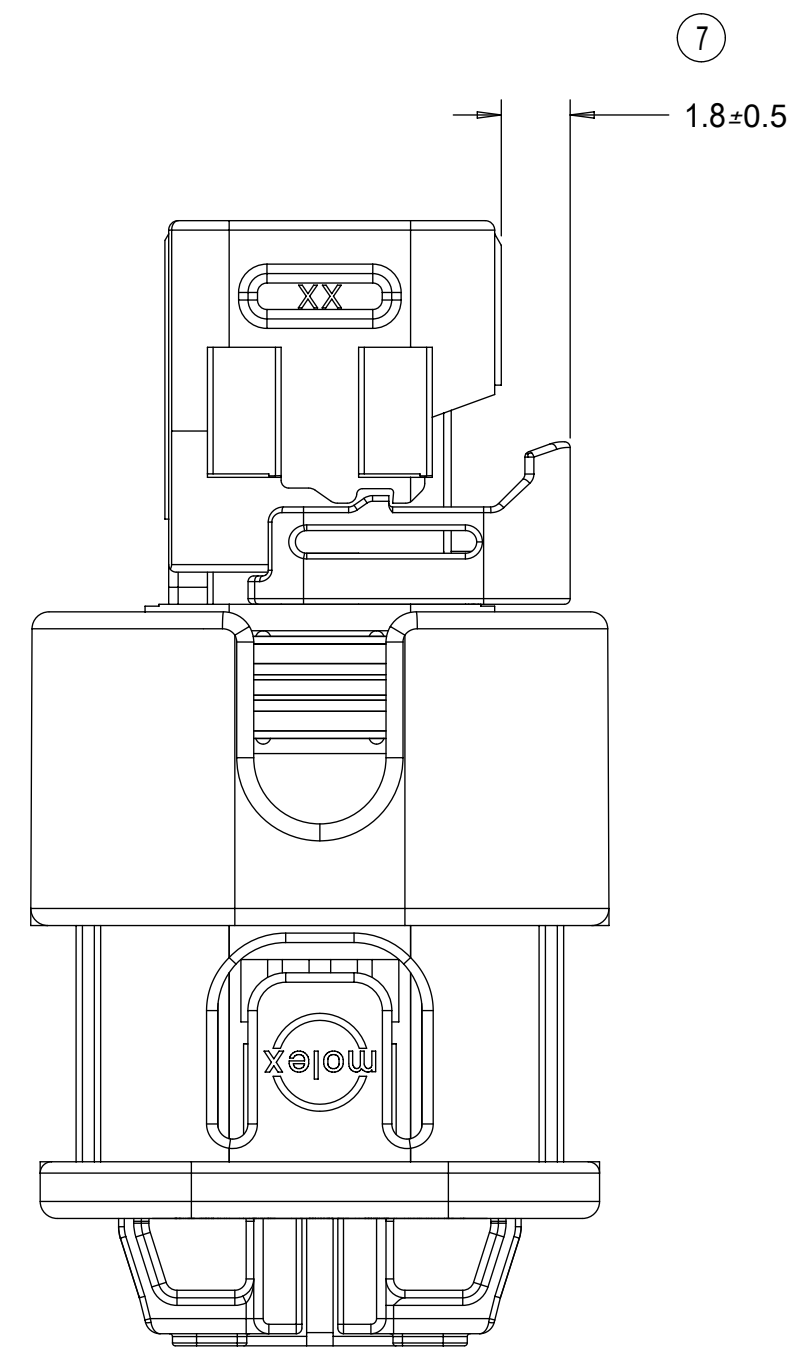
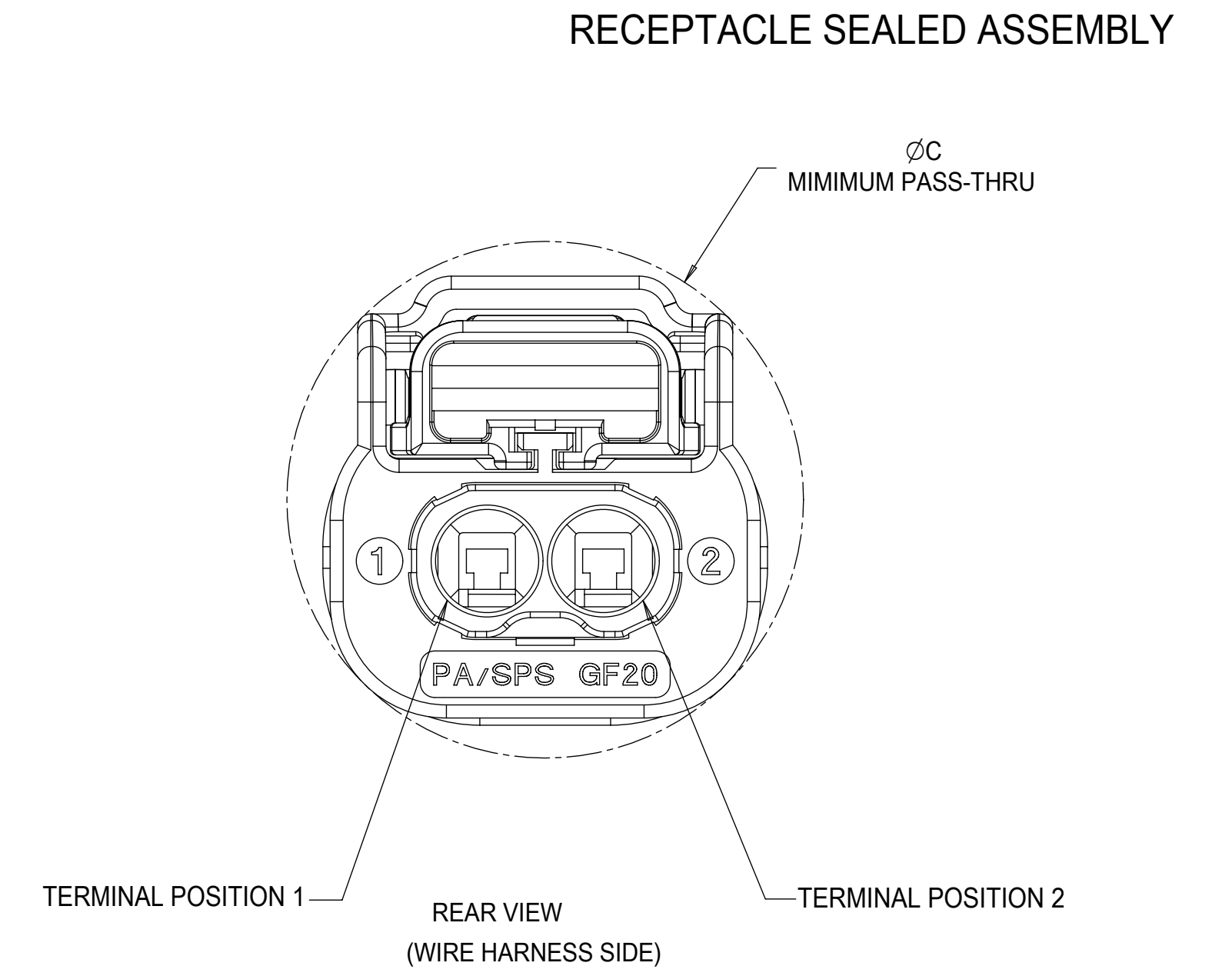
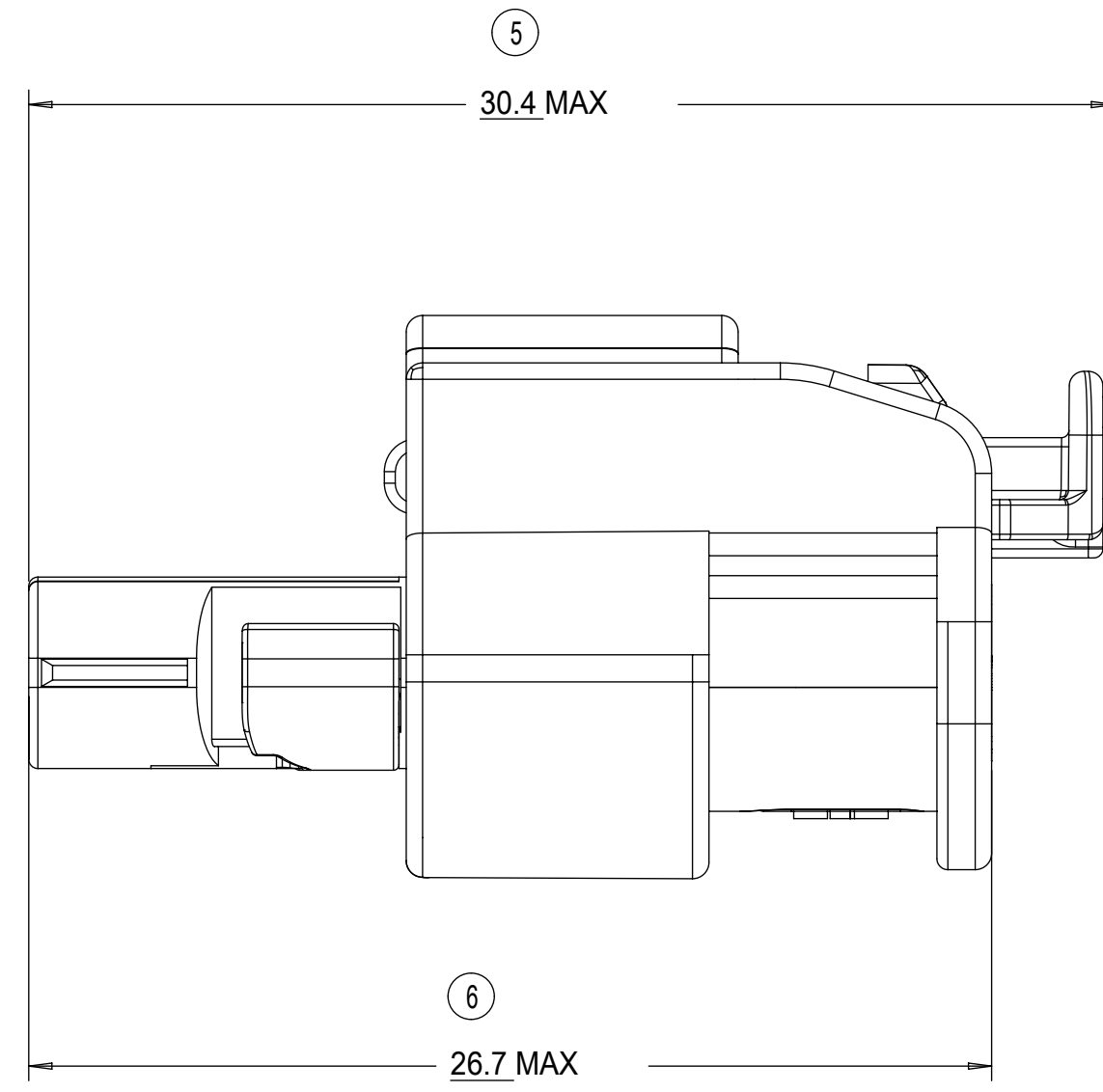
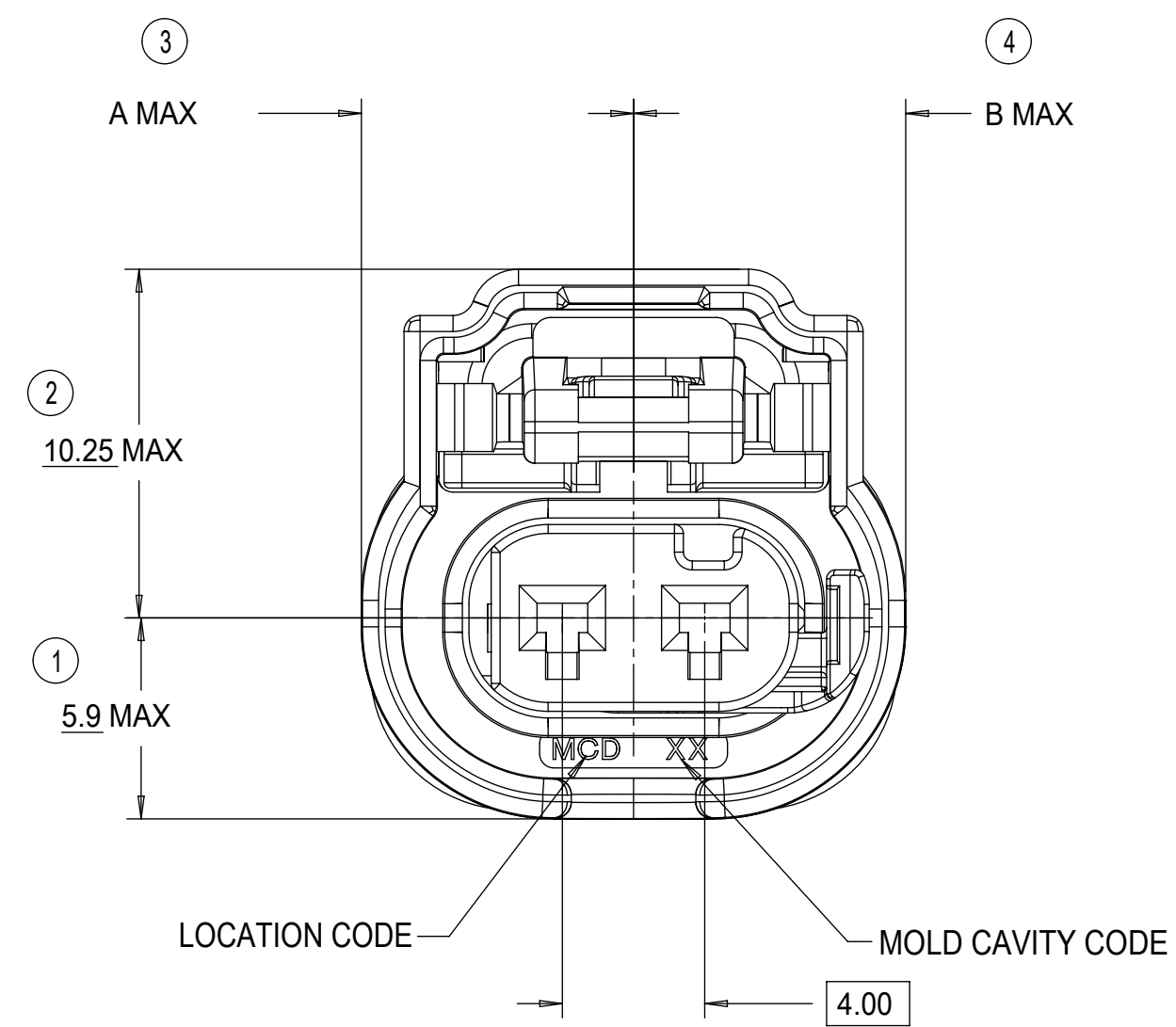
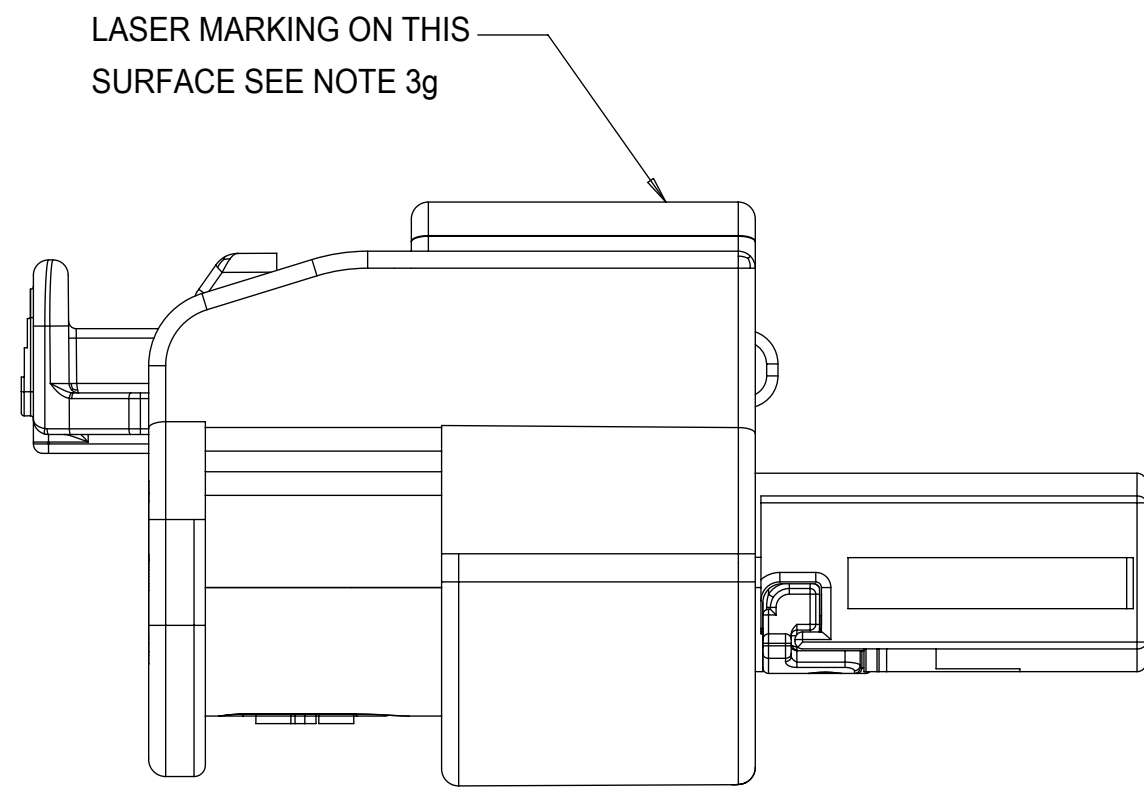


KEYING OPTION C

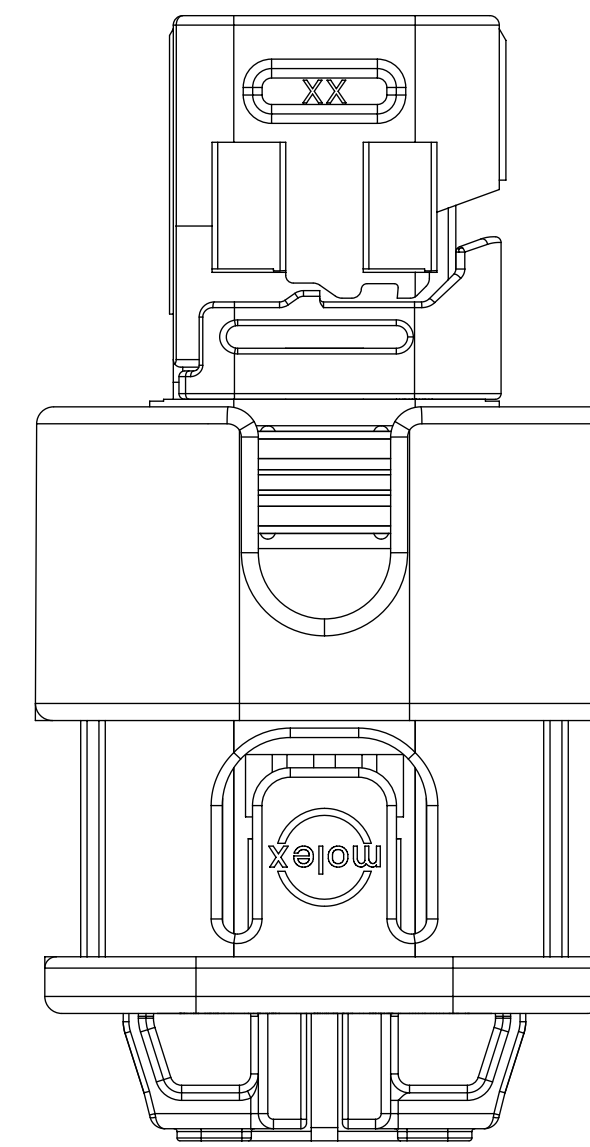


KEYING OPTION D

THIS DRAWING CONTAINS INFORMATION THAT IS PROPRIETARY TO MOLEX ELECTRONIC TECHNOLOGIES, LLC AND SHOULD NOT BE USED WITHOUT WRITTEN PERMISSION									
QUALITY SYMBOLS = 0 = 0 = 0 = 0 = 0 = 0 = 0 = 0	2020/06/17	GENERAL TOLERANCES (UNLESS SPECIFIED)		DIMENSION UNITS	SCALE				
	DRWN: GELLIOTTO1	mm	5:1						
	2020/06/23	ANGULAR TOL ± °		DRWN BY	DATE	1.2MM 1X2, 1X3 RECPT. SEALED ASSEMBLY CABLE SEAL 621905: ADDED CPA2 PNS, RE-ADDED PNS USING TERMINAL H			
	CHKD: KBORUSZEWSKI	4 PLACES ±	MVANSLAMBROU	2012/02/15					
	2020/06/23	3 PLACES ±	CHKD BY	DATE	PRODUCT CUSTOMER DRAWING				
	REV: APPR: KBORUSZEWSKI	2 PLACES ± 0.1		2013/11/06					
		1 PLACE ± 0.2	APPR BY	DATE	SERIES: 34900 MATERIAL NUMBER: SEE BOM CUSTOMER: GENERAL MARKET				
		0 PLACES ± 0.5	GGA	2012/12/13					
		DRAFT WHERE APPLICABLE MUST REMAIN WITHIN DIMENSIONS	DRAWING SIZE	THIRD ANGLE PROJECTION	DOCUMENT NUMBER: SD-34900-2001 DOC TYPE: PSD DOC PART: 001 SHEET NUMBER: 3 OF 7				
			D						



INDEPENDENT SECONDARY LOCK (ISL)
SHOWN IN THE PRE-STAGED POSITION



INDEPENDENT SECONDARY LOCK (ISL)
SHOWN IN THE FINAL-LOCK POSITION

1x3 RECEPTACLE SEALED ASSEMBLY	10.0	10.0	20.75
1x2 RECEPTACLE SEALED ASSEMBLY	8.0	8.0	18.75
CONFIGURATION	A	B	C

CHARTED DIMENSIONS

QUALITY SYMBOLS 	THIS DRAWING CONTAINS INFORMATION THAT IS PROPRIETARY TO MOLEX ELECTRONIC TECHNOLOGIES, LLC AND SHOULD NOT BE USED WITHOUT WRITTEN PERMISSION			
	EC NO: 639764 DRWN: GELIOTTO1 CHKD: KBORUSZEWSKI REV APPR: KBORUSZEWSKI	2020/06/17 2020/06/23 2020/06/23	GENERAL TOLERANCES (UNLESS SPECIFIED) ANGULAR TOL ± ° 4 PLACES ± 3 PLACES ± 2 PLACES ± 0.1 1 PLACE ± 0.2 0 PLACES ± 0.5 DRAFT WHERE APPLICABLE MUST REMAIN WITHIN DIMENSIONS	DIMENSION UNITS: mm SCALE: 5:1 DRWN BY: MVANSLAMBROU DATE: 2012/02/15 CHKD BY: GGA DATE: 2013/11/06 APPR BY: GGA DATE: 2012/12/13 DRAWING SIZE: D THIRD ANGLE PROJECTION

1X2 RECEPTACLE SEALED ASSEMBLY BOM SHEET 1

KEYING OPTION E, BLACK	34900-2223	-40 TO 155	4	SHORT					CHB			E		CPA2	TOOLED BUT NOT VALIDATED		1	2	3
KEYING OPTION C, BLACK	34900-2222	-40 TO 155	4	SHORT					CHB			C		CPA2	TOOLED BUT NOT VALIDATED		1	2	3
KEYING OPTION B, BLACK	34900-2221	-40 TO 155	4	SHORT					CHB	B				CPA2	TOOLED BUT NOT VALIDATED		1	2	3
KEYING OPTION A, BLACK	34900-2220	-40 TO 155	4	SHORT					CHB	A				CPA2	TOOLED BUT NOT VALIDATED		1	2	3
KEYING OPTION E, YELLOW	34900-2204	-40 TO 125	2	SHORT					CHY			E		CPA2	TOOLED BUT NOT VALIDATED		1	2	3
KEYING OPTION C, YELLOW	34900-2203	-40 TO 125	2	SHORT					CHY			C		CPA2	TOOLED BUT NOT VALIDATED		1	2	3
KEYING OPTION B, YELLOW	34900-2202	-40 TO 125	2	SHORT					CHY	B				CPA2	TOOLED BUT NOT VALIDATED		1	2	3
KEYING OPTION A, YELLOW	34900-2201	-40 TO 125	2	SHORT					CHY	A				CPA2	TOOLED BUT NOT VALIDATED		1	2	3
KEYING OPTION E, BLACK	34900-2123	-40 TO 155	4	SHORT					CHB			E	CPA1		NOT RECOMMENDED	ALT. KEY SUGGESTED	1	2	3
KEYING OPTION C, BLACK	34900-2122	-40 TO 155	4	SHORT					CHB			C	CPA1		SALEABLE		1	2	3
KEYING OPTION B, BLACK	34900-2121	-40 TO 155	4	SHORT					CHB	B			CPA1		SALEABLE		1	2	3
KEYING OPTION A, BLACK	34900-2120	-40 TO 155	4	SHORT					CHB	A			CPA1		SALEABLE		1	2	3
KEYING OPTION E, YELLOW	34900-2104	-40 TO 125	2	SHORT					CHY			E	CPA1		NOT RECOMMENDED	ALT. KEY SUGGESTED	1	2	3
KEYING OPTION C, YELLOW	34900-2103	-40 TO 125	2	SHORT					CHY			C	CPA1		SALEABLE		1	2	3
KEYING OPTION B, YELLOW	34900-2102	-40 TO 125	2	SHORT					CHY	B			CPA1		SALEABLE		1	2	3
KEYING OPTION A, YELLOW	34900-2101	-40 TO 125	2	SHORT					CHY	A			CPA1		SALEABLE		1	2	3
KEYING OPTION B, YELLOW	34900-2002	-40 TO 125	2	SHORT	CHY					B			CPA1		SALEABLE		1	2	3
KEYING OPTION A, YELLOW	34900-2001	-40 TO 125	2	SHORT	CHY					A			CPA1		SALEABLE		1	2	3
ASSEMBLY DESCRIPTION	PART NUMBER	OPERATING TEMPERATURE	VIBRATION CLASS PER GMW3191 DEC. 2007	OUTER HOUSING SHROUD LENGTH					A	B	C	E	CPA1	CPA3	STATUS	COMMENTS	DESIGNED TO MATE WITH DEVICE CONNECTION		

	RING SEAL	BURNT RED	INHERENTLY LUBRICATED SILICONE	
	ISL	NATURAL	SPS/NYLON GF20	
	CPA2	RED	PBT GF30	
	CPA1	RED	PBT GF30	
	TERMINAL HOUSING KEYING OPTION E	STONE GRAY	SPS/NYLON GF20	ALT. KEY SUGGESTED
	TERMINAL HOUSING KEYING OPTION C	DARK GRAY	SPS/NYLON GF20	
	TERMINAL HOUSING KEYING OPTION B	LT. GRAY	SPS/NYLON GF20	
	TERMINAL HOUSING KEYING OPTION A	BLACK	SPS/NYLON GF20	
	CONNECTOR HOUSING	BLACK	SPS/NYLON GF20	UPDATED LATCH
	CONNECTOR HOUSING	YELLOW	SPS/NYLON GF20	UPDATED LATCH
	CONNECTOR HOUSING	BLACK	SPS/NYLON GF20	
	CONNECTOR HOUSING	YELLOW	SPS/NYLON GF20	
	WIRE DRESS COVER STRAIGHT	BLACK	PA66	SOLD SEPARATELY SEE SD-160091-0001
	WIRE DRESS COVER RIGHT	BLACK	PA66	
	WIRE DRESS COVER LEFT	BLACK	PA66	
	DESCRIPTION	COLOR	MATERIAL	COMMENTS
BOM / APPLICABLE COMPONENTS TABLE				

ABBREVIATION	COMPONENT
CHY	CONNECTOR HOUSING YELLOW
CHB	CONNECTOR HOUSING BLACK
A	TERMINAL HOUSING KEY A
B	TERMINAL HOUSING KEY B
C	TERMINAL HOUSING KEY C
E	TERMINAL HOUSING KEY E
CPA1	CPA VERSION 1
CPA2	CPA VERSION 2
ISL	ISL
R	RING SEAL
1	USCAR INTERFACE 120-S-003-1-Z01 SEE NOTE 1f FOR WEBSITE
2	MOLEX INLINE BLADE CONNECTOR E-34899-2001
3	USCAR INTERFACE 120-S-003-1-Z02 SEE NOTE 1f FOR WEBSITE

THIS DRAWING CONTAINS INFORMATION THAT IS PROPRIETARY TO MOLEX ELECTRONIC TECHNOLOGIES, LLC AND SHOULD NOT BE USED WITHOUT WRITTEN PERMISSION														
QUALITY SYMBOLS	2020/06/17	GENERAL TOLERANCES (UNLESS SPECIFIED)	DIMENSION UNITS	SCALE	molex 1.2MM 1X2, 1X3 RECPT. SEALED ASSEMBLY CABLE SEAL 621905: ADDED CPA2 PNS, RE-ADDED PNS USING TERMINAL H					PRODUCT CUSTOMER DRAWING				
	2020/06/23	ANGULAR TOL ± °	mm	2:1						SERIES 34900 MATERIAL NUMBER 9999999999 CUSTOMER GENERAL MARKET				
DRWN BY	2020/06/23	4 PLACES ±	DRWN BY	DATE	GGA 2012/12/13									
CHKD BY		3 PLACES ±	CHKD BY	DATE										
APPR BY		2 PLACES ± 0.1	APPR BY	DATE										
		1 PLACE ± 0.2												
		0 PLACES ± 0.5												
		DRAFT WHERE APPLICABLE MUST REMAIN WITHIN DIMENSIONS	DRAWING SIZE	THIRD ANGLE PROJECTION										
			D											

KEYING OPTION D, STONE GRAY	34900-3223	-40 TO 125	2	SHORT	CHB				D			CPA2	TOOLED BUT NOT VALIDATED	1	2	3
KEYING OPTION C, DARK GRAY	34900-3222	-40 TO 125	2	SHORT	CHB				C			CPA2	TOOLED BUT NOT VALIDATED	1	2	3
KEYING OPTION B, LIGHT GRAY	34900-3221	-40 TO 125	2	SHORT	CHB		B					CPA2	TOOLED BUT NOT VALIDATED	1	2	3
KEYING OPTION A, BLACK	34900-3220	-40 TO 125	2	SHORT	CHB	A						CPA2	TOOLED BUT NOT VALIDATED	1	2	3
KEYING OPTION D, YELLOW	34900-3204	-40 TO 125	2	SHORT	CHY				D			CPA2	TOOLED BUT NOT VALIDATED	1	2	3
KEYING OPTION C, YELLOW	34900-3203	-40 TO 125	2	SHORT	CHY				C			CPA2	TOOLED BUT NOT VALIDATED	1	2	3
KEYING OPTION B, YELLOW	34900-3202	-40 TO 125	2	SHORT	CHY		B					CPA2	TOOLED BUT NOT VALIDATED	1	2	3
KEYING OPTION A, YELLOW	34900-3201	-40 TO 125	2	SHORT	CHY	A						CPA2	TOOLED BUT NOT VALIDATED	1	2	3
KEYING OPTION D, STONE GRAY	34900-3127	-40 TO 125	CONTACT MOLEX FOR INFO	SHORT	CHB					D	CPA1	SALEABLE	RESTRICTED	1	2	3
KEYING OPTION A, BLACK	34900-3124	-40 TO 125	CONTACT MOLEX FOR INFO	SHORT	CHB					A	CPA1	SALEABLE	RESTRICTED	1	2	3
KEYING OPTION D, STONE GRAY	34900-3123	-40 TO 125	2	SHORT	CHB				D		CPA1	TOOLED BUT NOT VALIDATED		1	2	3
KEYING OPTION C, DARK GRAY	34900-3122	-40 TO 125	2	SHORT	CHB				C		CPA1	TOOLED BUT NOT VALIDATED		1	2	3
KEYING OPTION B, LIGHT GRAY	34900-3121	-40 TO 125	2	SHORT	CHB		B				CPA1	SALEABLE		1	2	3
KEYING OPTION A, BLACK	34900-3120	-40 TO 125	2	SHORT	CHB	A					CPA1	SALEABLE		1	2	3
KEYING OPTION D, YELLOW	34900-3104	-40 TO 125	2	SHORT	CHY				D		CPA1	TOOLED BUT NOT VALIDATED		1	2	3
KEYING OPTION C, YELLOW	34900-3103	-40 TO 125	2	SHORT	CHY				C		CPA1	TOOLED BUT NOT VALIDATED		1	2	3
KEYING OPTION B, YELLOW	34900-3102	-40 TO 125	2	SHORT	CHY		B				CPA1	SALEABLE		1	2	3
KEYING OPTION A, YELLOW	34900-3101	-40 TO 125	2	SHORT	CHY	A					CPA1	SALEABLE		1	2	3
ASSEMBLY DESCRIPTION	PART NUMBER	OPERATING TEMPERATURE	VIBRATION CLASS PER GMW3191 DEC. 2007	OUTER HOUSING SHROUD LENGTH		A	B	C	D	A	D	CPA1	CPA3	STATUS	COMMENTS	DESIGNED TO MATE WITH DEVICE CONNECTION

1X3 RECEPTACLE SEALED ASSEMBLY BOM SHEET 1

RING SEAL	LIGHT BLUE	INHERENTLY LUBRICATED SILICONE	
ISL	NATURAL	SPS/NYLON GF20	
CPA2	RED	PBT GF30	
CPA1	RED	PBT GF30	
TERMINAL HOUSING KEYING OPTION D, Alt.	STONE GRAY	SPS/NYLON GF20	RESTRICTED
TERMINAL HOUSING KEYING OPTION A, Alt.	BLACK	SPS/NYLON GF20	RESTRICTED
TERMINAL HOUSING KEYING OPTION D	STONE GRAY	SPS/NYLON GF20	
TERMINAL HOUSING KEYING OPTION C	DARK GRAY	SPS/NYLON GF20	
TERMINAL HOUSING KEYING OPTION B	LT. GRAY	SPS/NYLON GF20	
TERMINAL HOUSING KEYING OPTION A	BLACK	SPS/NYLON GF20	
CONNECTOR HOUSING	BLACK	SPS/NYLON GF20	UPDATED LATCH
CONNECTOR HOUSING	YELLOW	SPS/NYLON GF20	UPDATED LATCH
CONNECTOR HOUSING	BLACK	SPS/NYLON GF20	
CONNECTOR HOUSING	YELLOW	SPS/NYLON GF20	
WIRE DRESS COVER STRAIGHT	BLACK	PA66	SOLD SEPARATELY SEE SD-160091-0001
WIRE DRESS COVER RIGHT	BLACK	PA66	
WIRE DRESS COVER LEFT	BLACK	PA66	
DESCRIPTION	COLOR	MATERIAL	COMMENTS

BOM / APPLICABLE COMPONENTS TABLE

ABREVIATION	COMPONENT
CHY	CONNECTOR HOUSING YELLOW
CHB	CONNECTOR HOUSING BLACK
A	TERMINAL HOUSING KEY A
B	TERMINAL HOUSING KEY B
C	TERMINAL HOUSING KEY C
D	TERMINAL HOUSING KEY D
CPA1	CPA VERSION 1
CPA2	CPA VERSION 2
ISL	ISL
R	RING SEAL
1	USCAR INTERFACE 120-S-002-1-Z01 SEE NOTE 1f FOR WEBSITE
2	MOLEX INLINE BLADE CONNECTOR E-34899-2001
3	USCAR INTERFACE 120-S-002-1-Z02 SEE NOTE 1f FOR WEBSITE

QUALITY SYMBOLS	THIS DRAWING CONTAINS INFORMATION THAT IS PROPRIETARY TO MOLEX ELECTRONIC TECHNOLOGIES, LLC AND SHOULD NOT BE USED WITHOUT WRITTEN PERMISSION																									
	<table border="1"> <tr><td>DRWN BY: GELLIOTTO1</td><td>DATE: 2020/06/23</td></tr> <tr><td>CHKD BY: KBORUSZEWSKI</td><td>DATE: 2020/06/23</td></tr> <tr><td>REV APPR: KBORUSZEWSKI</td><td>DATE: 2020/06/23</td></tr> </table>	DRWN BY: GELLIOTTO1	DATE: 2020/06/23	CHKD BY: KBORUSZEWSKI	DATE: 2020/06/23	REV APPR: KBORUSZEWSKI	DATE: 2020/06/23	<table border="1"> <tr><td>DIMENSION UNITS: mm</td><td>SCALE: 5:1</td></tr> <tr><td>GENERAL TOLERANCES (UNLESS SPECIFIED):</td><td></td></tr> <tr><td>ANGULAR TOL ±: °</td><td></td></tr> <tr><td>4 PLACES ±: ±</td><td></td></tr> <tr><td>3 PLACES ±: ±</td><td></td></tr> <tr><td>2 PLACES ±: ± 0.1</td><td></td></tr> <tr><td>1 PLACE ±: ± 0.2</td><td></td></tr> <tr><td>0 PLACES ±: ± 0.5</td><td></td></tr> <tr><td>DRAFT WHERE APPLICABLE MUST REMAIN WITHIN DIMENSIONS</td><td></td></tr> </table>	DIMENSION UNITS: mm	SCALE: 5:1	GENERAL TOLERANCES (UNLESS SPECIFIED):		ANGULAR TOL ±: °		4 PLACES ±: ±		3 PLACES ±: ±		2 PLACES ±: ± 0.1		1 PLACE ±: ± 0.2		0 PLACES ±: ± 0.5		DRAFT WHERE APPLICABLE MUST REMAIN WITHIN DIMENSIONS	
DRWN BY: GELLIOTTO1	DATE: 2020/06/23																									
CHKD BY: KBORUSZEWSKI	DATE: 2020/06/23																									
REV APPR: KBORUSZEWSKI	DATE: 2020/06/23																									
DIMENSION UNITS: mm	SCALE: 5:1																									
GENERAL TOLERANCES (UNLESS SPECIFIED):																										
ANGULAR TOL ±: °																										
4 PLACES ±: ±																										
3 PLACES ±: ±																										
2 PLACES ±: ± 0.1																										
1 PLACE ±: ± 0.2																										
0 PLACES ±: ± 0.5																										
DRAFT WHERE APPLICABLE MUST REMAIN WITHIN DIMENSIONS																										
EC NO: 639764	DRWN: GELLIOTTO1	DATE: 2020/06/23																								
CHKD: KBORUSZEWSKI	DATE: 2020/06/23	REV APPR: KBORUSZEWSKI																								
APPR: KBORUSZEWSKI	DATE: 2020/06/23																									
SERIES: 34900		MATERIAL NUMBER: 9999999999																								
CUSTOMER: GENERAL MARKET																										
DOCUMENT NUMBER: SD-34900-2001	DOC TYPE: PSD	DOC PART SHEET NUMBER: 001 6 OF 7																								

OBSOLETE PART NUMBERS

34900-2023	OBSOLETE
34900-2022	OBSOLETE
34900-2021	OBSOLETE
34900-2020	OBSOLETE
34900-2004	OBSOLETE
34900-2003	OBSOLETE
ASSEMBLY PART NUMBERS	STATUS

1X2

34900-3023	OBSOLETE
34900-3022	OBSOLETE
34900-3021	OBSOLETE
34900-3020	OBSOLETE
34900-3004	OBSOLETE
34900-3003	OBSOLETE
34900-3002	OBSOLETE
34900-3001	OBSOLETE
ASSEMBLY PART NUMBERS	STATUS

1X3

THIS DRAWING CONTAINS INFORMATION THAT IS PROPRIETARY TO MOLEX ELECTRONIC TECHNOLOGIES, LLC AND SHOULD NOT BE USED WITHOUT WRITTEN PERMISSION															
DIMENSION UNITS		SCALE		Material:				molex							
mm		1:1		Heat treat:											
GENERAL TOLERANCES (UNLESS SPECIFIED)				Finish:				1.2MM 1X2, 1X3 RECPT. SEALED ASSEMBLY CABLE SEAL 621905: ADDED CPA2 PNS, RE-ADDED PNS USING TERMINAL H							
ANGULAR TOL ± °				CURRENT REV DESC:											
4 PLACES		±		EC NO: 639764 DRWN: GELLIOTT01 2020/06/17 CHK'D: KBORUSZEWSKI 2020/06/23 APPR: KBORUSZEWSKI 2020/06/23 ORIG DRWN BY: MVANSLAMBROU 2012/02/15				PRODUCT CUSTOMER DRAWING							
3 PLACES		±						DOCUMENT NUMBER				SD-34900-2001			
2 PLACES		± 0.1						DOC TYPE				PSD			
1 PLACE		± 0.2						DOC PART				001			
0 PLACES		± 0.5						REVISION				C7			
TOOL NUMBER		THIRD ANGLE PROJECTION		DRAWING		SERIES		MATERIAL NUMBER		CUSTOMER					
				D-SIZE		34900		GENERAL MARKET		SHEET NUMBER					
										7 OF 7					