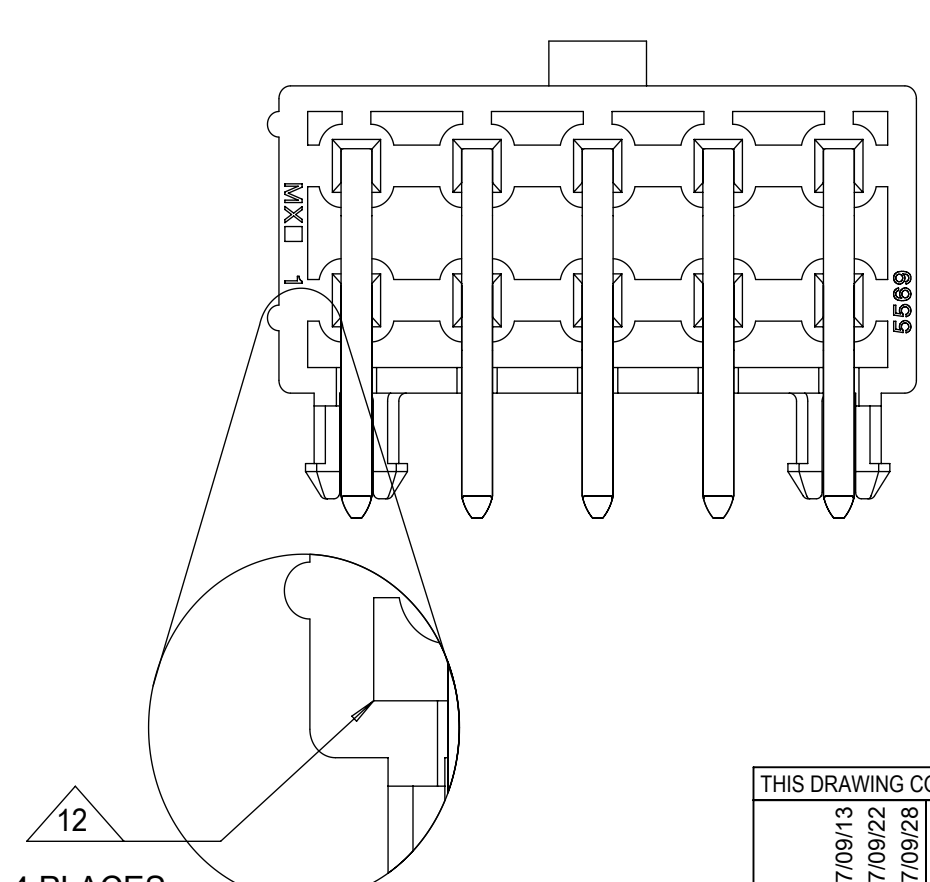


- NOTES:**
- MATERIALS:**  
HOUSING MATERIAL OPTIONS: SEE CHART FOR SPECIFIC PART  
 NYLON, UNFILLED, UL94V-2, COLOR: NATURAL  
 NYLON, UNFILLED, UL94V-2, COLOR: BLACK  
 NYLON, UNFILLED, UL94V-0, COLOR: NATURAL  
 NYLON, UNFILLED, UL94V-0, COLOR: BLACK  
 TERMINALS: BRASS
  - FINISH (PLATING) OPTIONS:** SEE CHART FOR SPECIFIC PART  
 "GS" = 0.00076/(.000030) MIN. SELECT GOLD AND  
 0.00254/(.0000100) SELECT MATTE TIN OVER  
 0.00127/(.000050) MIN. NICKEL  
 "MS" = 0.00254/(.000100) MIN. MATTE TIN OVER  
 0.00127/(.000050) MIN. NICKEL
  - PRODUCT SPECIFICATION:** PS-5556-001
  - PACKAGING:** SEE CHART: BULK PER PK-5569-002  
 TRAY PER PK-5569-003(PEGGED) OR PK-5569-004(FLANGES)
  - CIRCUITS SHOWN PROVIDE THE MAKE-FIRST/BREAK-LAST FEATURE.**  
 SEE CHARTS ON SHEETS 3 & 4 FOR SPECIFIC CIRCUIT LOCATIONS.
  - PART MATES WITH MINI-FIT JR. RECEPTACLE #5557.
  - CONNECTORS ARE NOT TO BE MATED OR UNMATED WHILE CIRCUITS ARE LIVE.
  - PARTS ARE NOT DESIGNED FOR CURRENT SHARING.
  - DISCOLORATION IN THE BANDOLIER CARRIER AREA OF THE PIN IS INHERENT TO THE PLATING PROCESS AND IS DUE TO THE MASKING EFFECT OF THE CARRIER. THIS DISCOLORATION, IF PRESENT, IS IN A NON-FUNCTIONAL AREA OF THE PIN AND WILL NOT EFFECT THE PERFORMANCE OF THE HEADER ASSEMBLY.
  - PART CONFORMS TO CLASS "B" REQUIREMENTS OF COSMETIC SPECIFICATION PS-45499-002.
  - FORMING MARKS ARE ACCEPTABLE.
  - CORNER CORE-OUTS ARE OPTIONAL AND MAY OR MAY NOT BE PRESENT.
  - TEXT ON PART IS FOR REFERENCE ONLY. TEXT AND TEXT LOCATION MAY VARY DEPENDING ON PART NUMBER AND/OR TOOL.



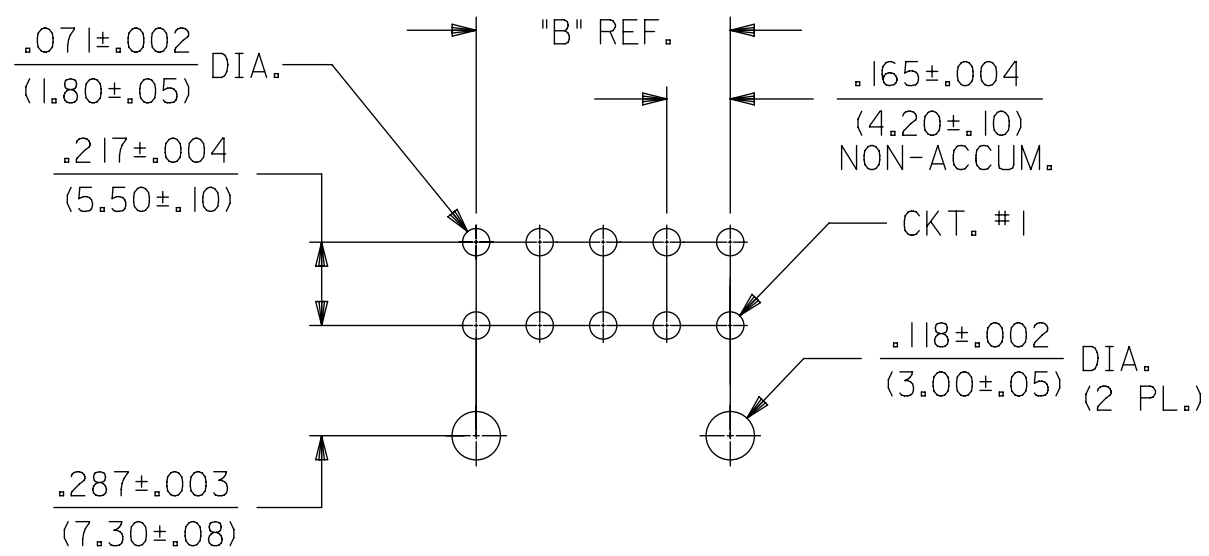
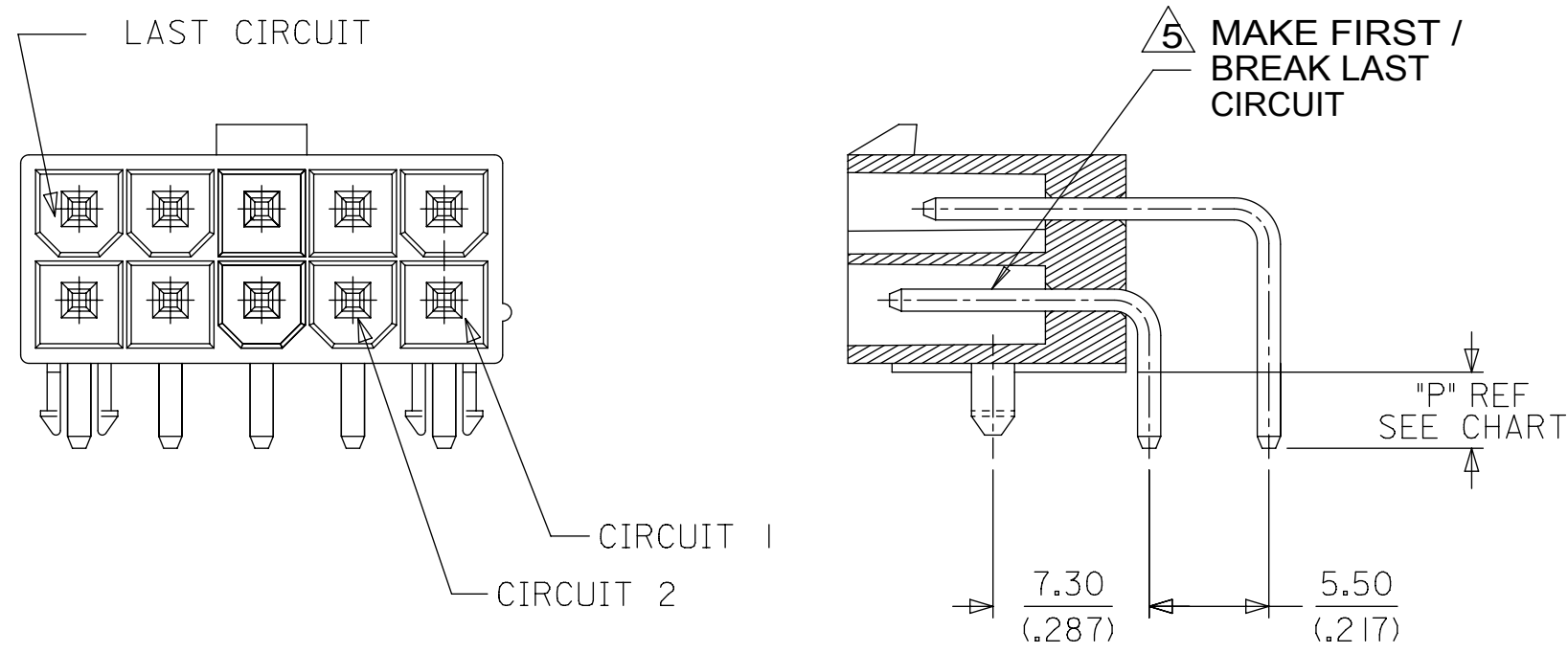
CIRCUIT SIZE	DIM. "A"	DIM. "B"	DIM. "C"	DIM. "D"
2	.606 (15.40)	N.A.	.213 (5.40)	.354 (9.00)
4	.772 (19.60)	.165 (4.20)	.378 (9.60)	.520 (13.20)
6	.937 (23.80)	.331 (8.40)	.543 (13.80)	.685 (17.40)
8	1.102 (28.00)	.496 (12.60)	.709 (18.00)	.850 (21.60)
10	1.268 (32.20)	.661 (16.80)	.874 (22.20)	1.016 (25.80)
12	1.433 (36.40)	.827 (21.00)	1.039 (26.40)	1.181 (30.00)
14	1.598 (40.60)	.992 (25.20)	1.205 (30.60)	1.346 (34.20)
16	1.764 (44.80)	1.157 (29.40)	1.370 (34.80)	1.512 (38.40)
18	1.929 (49.00)	1.323 (33.60)	1.535 (39.00)	1.677 (42.60)
20	2.094 (53.20)	1.488 (37.80)	1.701 (43.20)	1.843 (46.80)
22	2.260 (57.40)	1.654 (42.00)	1.866 (47.40)	2.008 (51.00)
24	2.425 (61.60)	1.819 (46.20)	2.031 (51.60)	2.173 (55.20)

THIS DRAWING CONTAINS INFORMATION THAT IS PROPRIETARY TO MOLEX ELECTRONIC TECHNOLOGIES, LLC AND SHOULD NOT BE USED WITHOUT WRITTEN PERMISSION

ADD 44130-0043 EC NO: 122347 DRWN: RLALSANGI CHKD: JBELL REV APPR: FSMITH	GENERAL TOLERANCES (UNLESS SPECIFIED)		DIMENSION UNITS	SCALE		
			MM/IN	4:1		
	4 PLACES	±	±	DRWN BY		DATE
	3 PLACES	±	± 0.015	POLGAR		1998/01/23
	2 PLACES	± 0.38	± 0.015	CHK'D BY	DATE	
	1 PLACES	± 0.38	±	BANDURA	1998/01/28	
	0 PLACES	±	±	APPR BY	DATE	
	ANGULAR TOL = 0.5		DRAWING SIZE	THIRD ANGLE PROJECTION		
	DRAFT WHERE APPLICABLE MUST REMAIN WITHIN DIMENSIONS		C			

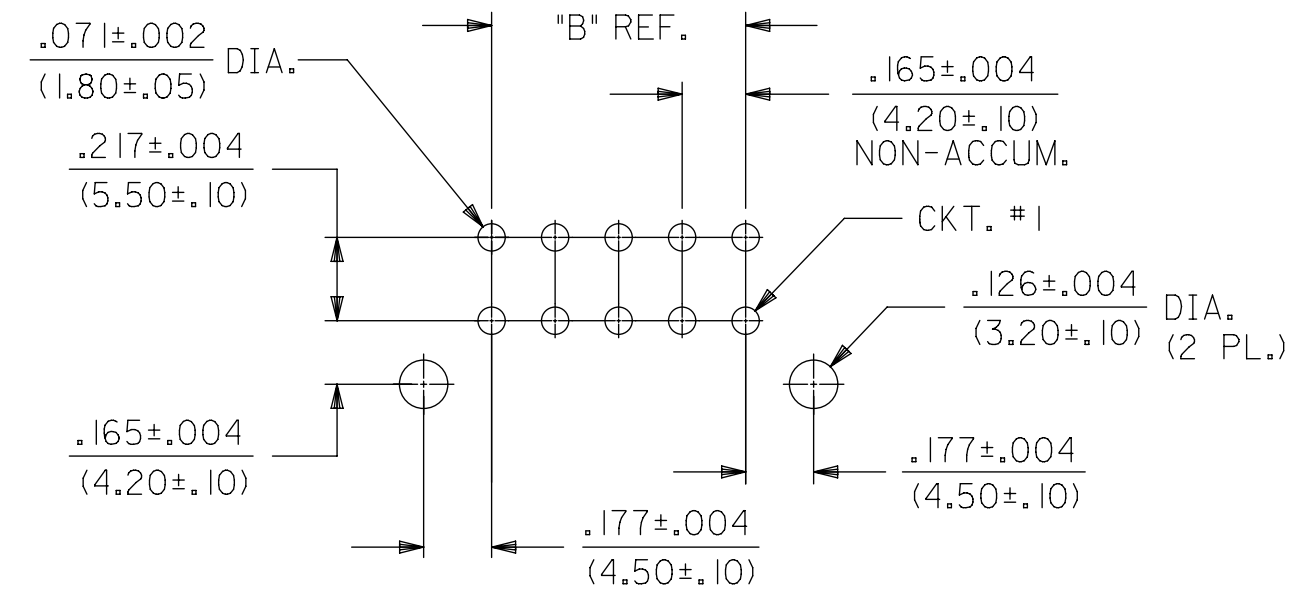
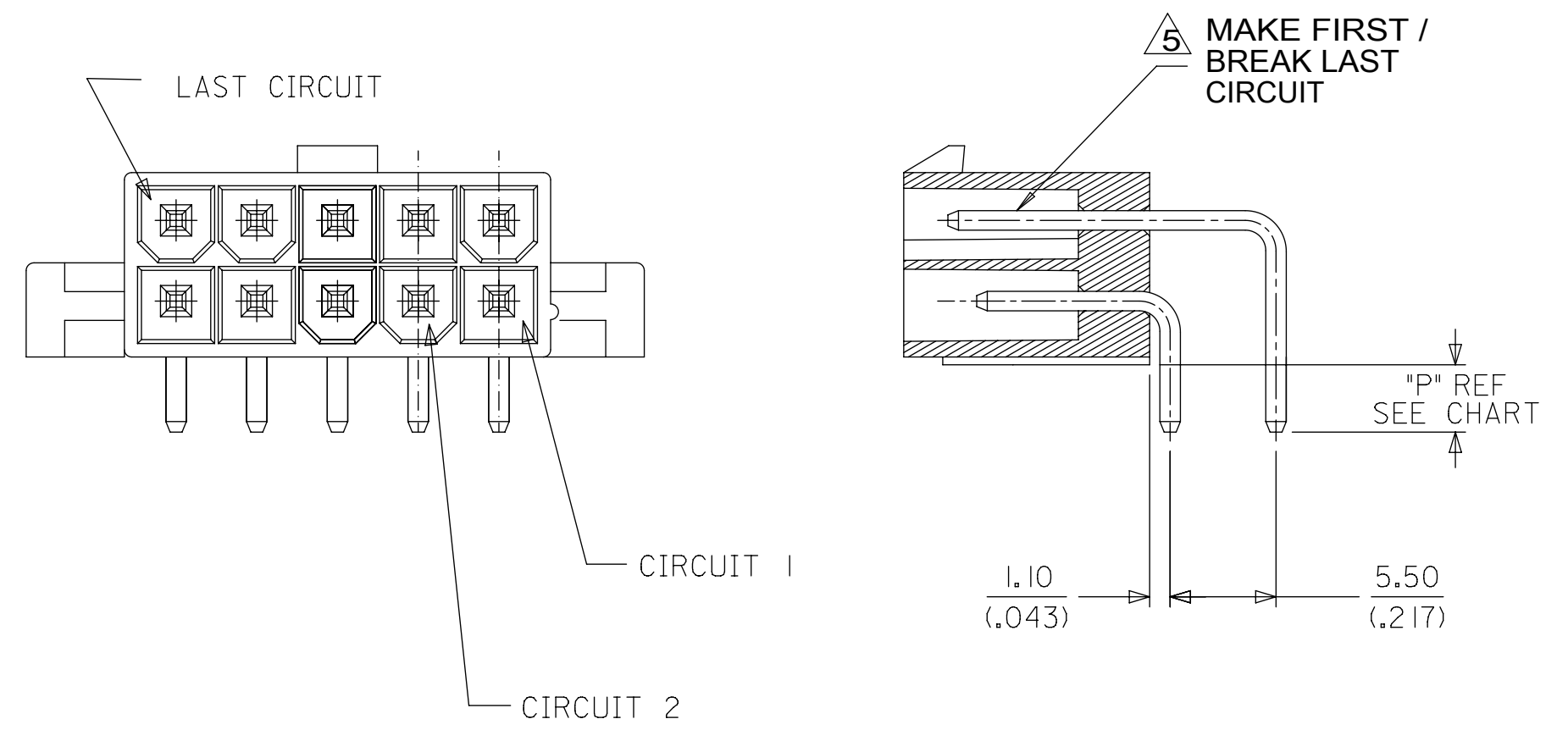
PRODUCT CUSTOMER DRAWING		
SERIES	MATERIAL NUMBER	CUSTOMER
44130	SEE CHART	GENERAL MARKET
DOCUMENT NUMBER	DOC TYPE	DOC PART SHEET NUMBER
SD-44130-001	PSD	000 1 OF 4

### HOUSING WITH PEGS



RECOMMENDED HOLE LAYOUT FOR  
.070/(1.78) MAX. THICK P.C. BOARD.  
(PEG MOUNT)

### HOUSING WITH FLANGE



RECOMMENDED HOLE LAYOUT FOR  
.070/(1.78) MAX. THICK P.C. BOARD.  
(FLANGE MOUNT)



THIS DRAWING CONTAINS INFORMATION THAT IS PROPRIETARY TO MOLEX ELECTRONIC TECHNOLOGIES, LLC AND SHOULD NOT BE USED WITHOUT WRITTEN PERMISSION											
ADD 44130-0043 EC NO: 122347 DRWN: RLALSANGI CHKD: JBELL REV APPR: FSMITH	GENERAL TOLERANCES (UNLESS SPECIFIED)				DIMENSION UNITS		SCALE		<b>molex</b>		
					MM/IN		4:1				
					DRWN BY		DATE		MINI-FIT JR RIGHT ANGLE HEADER ASSY CUSTOM HEADERS		
	4 PLACES ± ±				POLGAR		1998/01/23				
	3 PLACES ± ± 0.015				CHK'D BY		DATE				
2 PLACES ± 0.38 ± 0.015				BANDURA		1998/01/28		PRODUCT CUSTOMER DRAWING			
1 PLACES ± 0.38 ±				APPR BY		DATE					
0 PLACES ± ±				FSMITH		2011/05/18		SERIES MATERIAL NUMBER CUSTOMER			
ANGULAR TOL = 0.5				DRAWING SIZE		THIRD ANGLE PROJECTION		44130 SEE CHART GENERAL MARKET			
DRAFT WHERE APPLICABLE MUST REMAIN WITHIN DIMENSIONS				C				DOCUMENT NUMBER SD-44130-001 DOC TYPE PSD DOC PART 000 SHEET NUMBER 2 OF 4			

MATERIAL NUMBER	HOUSING MAT'L/COLOR	NO OF CKT	HOUSING OPTION	PKG	FINISH SEE NOTE #2	PIN IDENTIFICATION CODE / CIRCUIT LOCATION (SEE CHART BELOW) V = VOID																							
						CKT 1	CKT 2	CKT 3	CKT 4	CKT 5	CKT 6	CKT 7	CKT 8	CKT 9	CKT 10	CKT 11	CKT 12	CKT 13	CKT 14	CKT 15	CKT 16	CKT 17	CKT 18	CKT 19	CKT 20	CKT 21	CKT 22	CKT 23	CKT 24
44130-0001	NYLON 94V-2/BLACK	06	PEG	TRAY	MS					2																			
44130-0002	NYLON 94V-2/BLACK	08	PEG	TRAY	MS	2																							
44130-0003	NYLON 94V-0/BLACK	08	PEG	TRAY	MS	2																							
44130-0004	NYLON 94V-0/BLACK	06	PEG	TRAY	MS					2																			
44130-0005	NYLON 94V-0/NATURAL	04	PEG	BULK	MS	2	3	2	2																				
44130-0006	NYLON 94V-0/NATURAL	06	PEG	BULK	MS	2			2	2	2																		
44130-0007	NYLON 94V-0/NATURAL	10	FLANGES	BULK	MS	4	4	4	4	4	4	4	4	4	4														
44130-0008	NYLON 94V-0/NATURAL	06	PEG	TRAY	MS	V			2	2	2																		
44130-0009	NYLON 94V-2/NATURAL	06	FLANGES	TRAY	MS	2	2	2		2	2																		
44130-0013	NYLON 94V-2/NATURAL	24	PEG	TRAY	MS	2	2																		2				
44130-0015	NYLON 94V-0/BLACK	08	PEG	TRAY	MS		2																						
44130-0017	NYLON 94V-0/NATURAL	02	PEG	BULK	MS	2	1																						
44130-0024	NYLON 94V-0/NATURAL	08	PEG	BULK	GS	2	2	5	2	2	5	2	2																
44130-0026	NYLON 94V-2/NATURAL	04	PEG	BULK	MS	8	8	8	8																				
44130-0027	NYLON 94V-0/NATURAL	02	PEG	BULK	MS	5	5																						
44130-0028	NYLON 94V-0/NATURAL	04	PEG	BULK	MS	8	8	8	8																				
44130-0030	NYLON 94V-0/NATURAL	06	PEG	TRAY	GS	2	1	2	2	2	2																		
44130-0031	NYLON 94V-0/NATURAL	08	PEG	BULK	MS	9	9	9	9	9	9	9																	

PIN ID	MATING CONFIGURATION	DIM P REF (PCB TAIL LENGTH)
1	MAKE FIRST/BREAK LAST (LONGER PIN)	3.5 (.14)
2	STANDARD MATING	3.5 (.14)
3	MAKE FIRST/BREAK LAST (LONGER PIN)	4.9 (.19)
4	STANDARD MATING	6.0 (.24)
5	MAKE FIRST/BREAK LAST (LONGER PIN)	4.2 (.17)
6	STANDARD MATING	4.2 (.17)
8	STANDARD MATING	5.3 (.21)

PIN ID	MATING CONFIGURATION	DIM P (PCB TAIL LENGTH)
9	STANDARD MATING	8.0 (.31)

THIS DRAWING CONTAINS INFORMATION THAT IS PROPRIETARY TO MOLEX ELECTRONIC TECHNOLOGIES, LLC AND SHOULD NOT BE USED WITHOUT WRITTEN PERMISSION

ADD 44130-0043 EC NO: 122347 DRWN: RLALSANGI CHKD: JBELL REV   APPR: FSMITH	GENERAL TOLERANCES (UNLESS SPECIFIED)		DIMENSION UNITS <b>MM/IN</b>		SCALE <b>1:1</b>			
	4 PLACES ±    ±		DRWN BY <b>POLGAR</b>		DATE <b>1998/01/23</b>		<b>MINI-FIT JR RIGHT ANGLE HEADER ASSY CUSTOM HEADERS</b>	
	3 PLACES ±    ± 0.015		CHK'D BY <b>BANDURA</b>		DATE <b>1998/01/28</b>			<b>PRODUCT CUSTOMER DRAWING</b>
	2 PLACES ± 0.38    ± 0.015		APPR BY <b>FSMITH</b>		DATE <b>2011/05/18</b>			
1 PLACES ± 0.38    ±		ANGULAR TOL = 0.5		DRAWING SIZE <b>C</b>		THIRD ANGLE PROJECTION 		
0 PLACES ±    ±		DRAFT WHERE APPLICABLE MUST REMAIN WITHIN DIMENSIONS		SERIES <b>44130</b>		MATERIAL NUMBER <b>SEE CHART</b>		
<b>E11</b>		DOCUMENT NUMBER <b>SD-44130-001</b>		CUSTOMER <b>GENERAL MARKET</b>		DOC TYPE <b>PSD</b>		
RELEASE STATUS <b>P1</b>		RELEASE DATE <b>28.09.2017 20:37:37</b>		DOC PART <b>000</b>		SHEET NUMBER <b>3 OF 4</b>		

