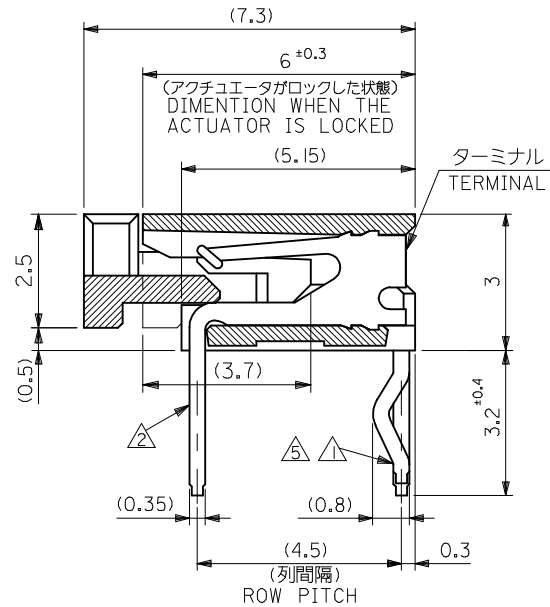
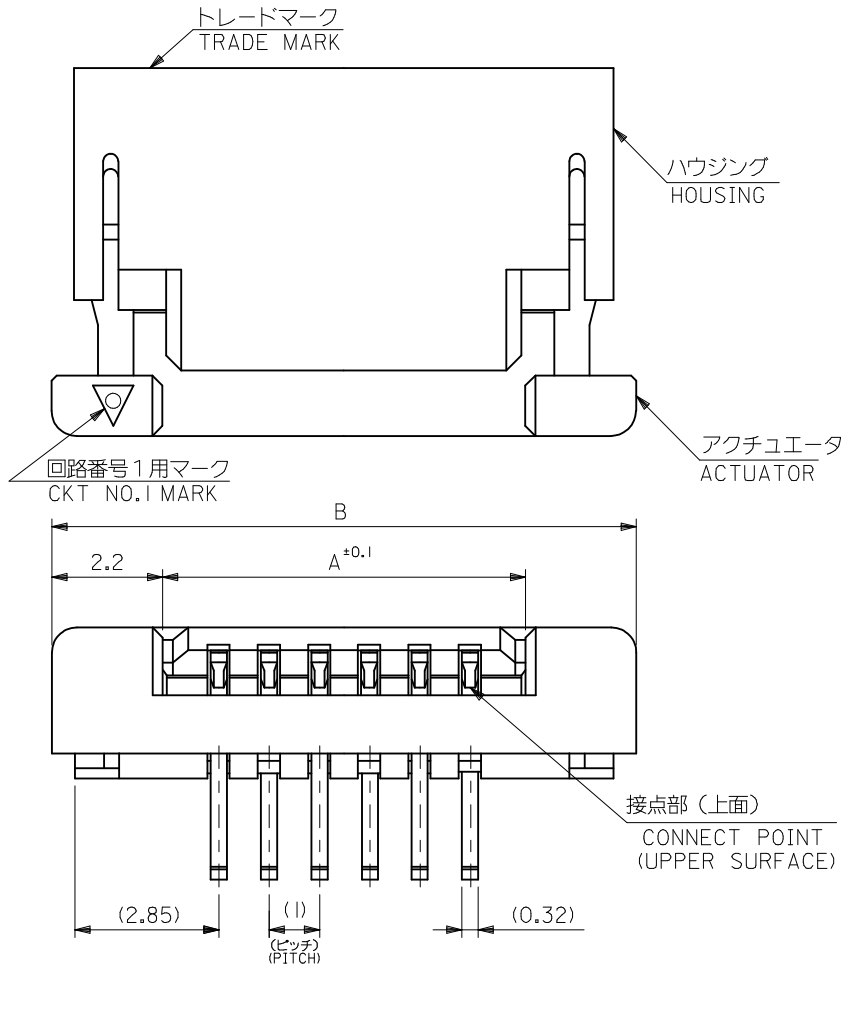


SD-52089-010



35.6	31.2	52089-3029	30
34.6	30.2	-2929	29
33.6	29.2	-2829	28
32.6	28.2	-2729	27
31.6	27.2	-2629	26
30.6	26.2	-2529	25
29.6	25.2	-2429	24
28.6	24.2	-2329	23
27.6	23.2	-2229	22
26.6	22.2	-2129	21
25.6	21.2	-2029	20
24.6	20.2	-1929	19
23.6	19.2	-1829	18
22.6	18.2	-1729	17
21.6	17.2	-1629	16
20.6	16.2	-1529	15
19.6	15.2	-1429	14
18.6	14.2	-1329	13
17.6	13.2	-1229	12
16.6	12.2	-1129	11
15.6	11.2	-1029	10
14.6	10.2	-0929	9
13.6	9.2	-0829	8
12.6	8.2	-0729	7
11.6	7.2	-0629	6
10.6	6.2	52089-0529	5
B	A	MATERIAL NO.	極数 CKT.

<b>REVISED</b> EC NO.: J2013-1517 DRWN: AYOSHI 01 2013/06/13 CHKD: YKOBAYASHI 02 2013/06/13 APPR: YNOGAWA 2013/07/03	GENERAL TOLERANCES (UNLESS SPECIFIED)		DIMENSION STYLE <b>MM ONLY</b>		SCALE ---	DESIGN UNITS <b>METRIC</b>		THIRD ANGLE PROJECTION		
	10 UNDER ± ---	10 OVER 30 UNDER ± ---	30 OVER ± ---	DRAWN BY AYOSHI 01	DATE 2013/06/13	TITLE <b>1.0 FPC CONN.                  Z.I.F. R/A                  -LEAD FREE-</b>				
	ANGULAR ± --- °			CHECKED BY YKOBAYASHI 02	DATE 2013/06/13	MATERIAL NO. <b>SEE CHART</b>				
	DRAFT WHERE APPLICABLE MUST REMAIN WITHIN DIMENSIONS			APPROVED BY	DATE	DOCUMENT NO. <b>SD-52089-010</b>				SHEET NO. 1 OF 2

**molex**

THIS DRAWING CONTAINS INFORMATION THAT IS PROPRIETARY TO MOLEX  
INCORPORATED AND SHOULD NOT BE USED WITHOUT WRITTEN PERMISSION