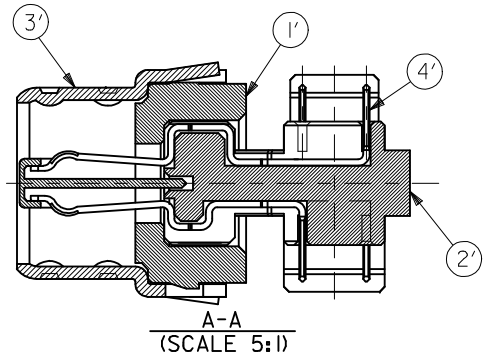


番号 NO.	部品名 PART NAME	個数 QUAN.	材質 MATERIAL	仕上げ FINISH	
1	プラグハウジング アッセンブリ PLUG HOUSING ASSEMBLY	1	OUTER HOUSING	ガラス入りPBT G.F. PBT	
			INNER HOUSING	ガラス入りPBT G.F. PBT	
			シールド SHIELD	鋼 STEEL	ニッケルメッキ NICKEL PLATING
			ターミナル TRMINAL	リン青銅 PHOS. BRO.	接点部 金: 0.76µm IN. CONTACT AREA ,GOLD 圧接部 錫メッキ I.D.PORITION,TIN PLATING ニッケルメッキ NICKEL BASE
2	アッパーハウジング UPPER HOUSING	2	ガラス入りPBT G.F. PBT	—	

注記 1. 適用電線: UL STYLE NO. 20276 相当品
NOTES APPLICABLE WIRE : FIT FOR UL STYLE NO. 20276

サイズ SIZE	導体 WIRE RANGE	絶縁体外径 INS. RANGE
AWG# 28	0.38 (7/0.127)	0.58

2. 本製品は 52316-***11 の鉛フリー品である。
THIS PRODUCT IS LEAD FREE OF 52316-***11.



29.34	52316-3619		36
22.99	52316-2619	52316-***19	26
19.18	52316-2019		20
A	MATERIAL NO.	MODEL NO.	N 極数 CKT.

GENERAL TOLERANCES (UNLESS SPECIFIED)			DIMENSION STYLE MM ONLY		SCALE 2.0	DESIGN UNITS METRIC	THIRD ANGLE PROJECTION
0.25 UNDER	UNDER	±0.2	DRAWN BY	DATE	TITLE		
0.25 OVER	0.5 UNDER	±0.2	H. KAWABATA	2004/04/27	1.27 I/O PLUG ASSY		
0.5 OVER	1.0 UNDER	±0.2	CHECKED BY	DATE	-LEAD FREE-		
1.0 OVER	30 UNDER	±0.2	K. TOJO	2004/04/27	molex		
10 OVER	30 UNDER	±0.25	APPROVED BY	DATE	SEE CHART		
30 OVER		±0.3	MATERIAL NO.	DOCUMENT NO.	SD-52316-002		
ANGULAR	±3 °		SIZE	THIS DRAWING CONTAINS INFORMATION THAT IS PROPRIETARY TO MOLEX ELECTRONIC TECHNOLOGIES, LLC AND SHOULD NOT BE USED WITHOUT WRITTEN PERMISSION		SHEET NO. 1 OF 1	
DRAFT WHERE APPLICABLE MUST REMAIN WITHIN DIMENSIONS			A3				