

MATERIALS AND FINISHES

BODY, JAM NUT, CRIMP TUBE BRASS
PLATED GOLD

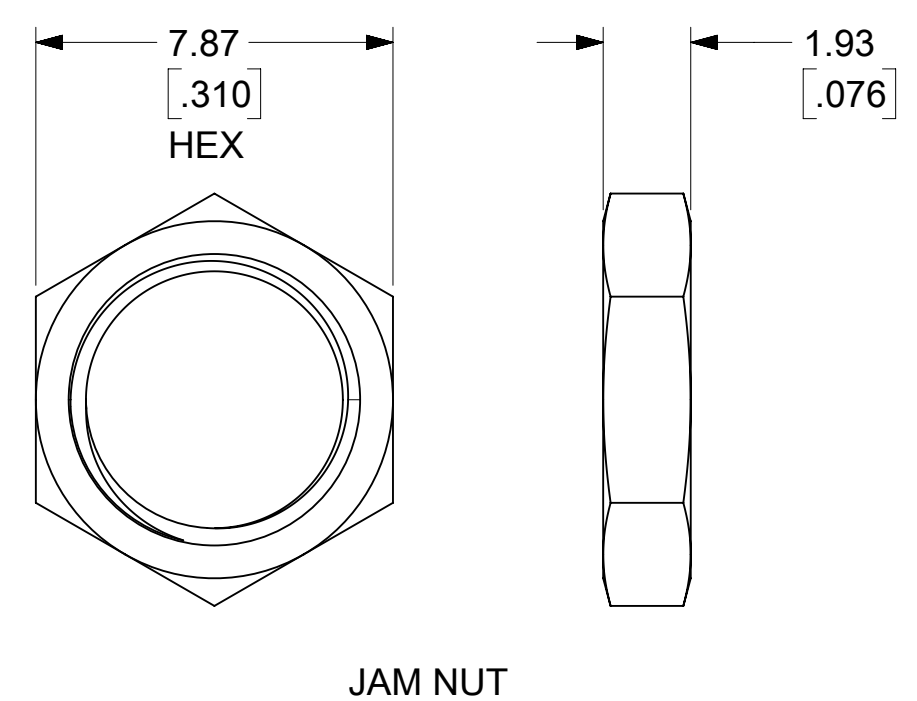
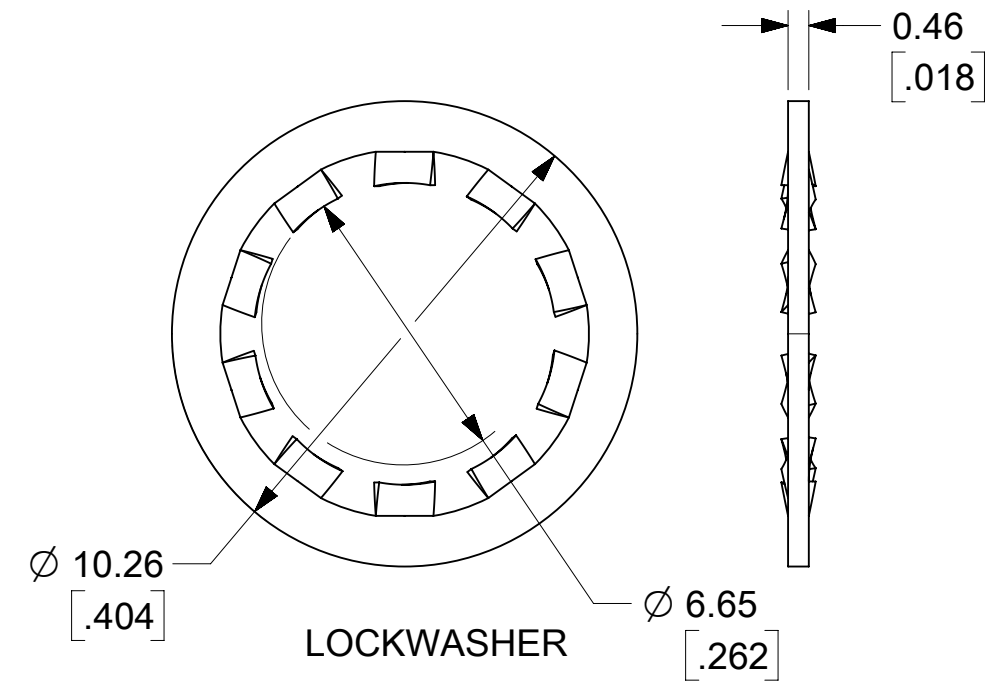
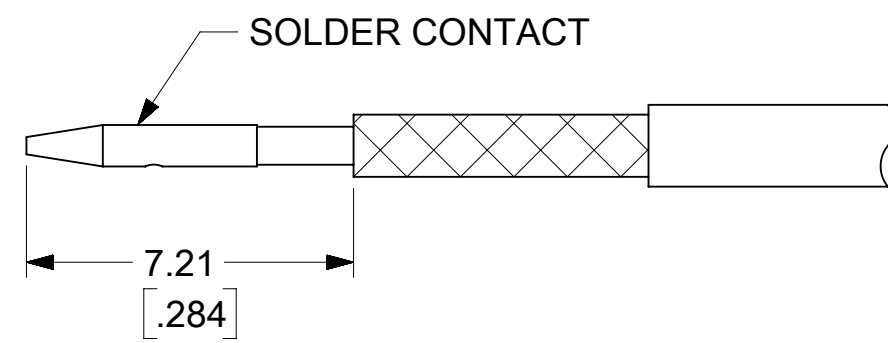
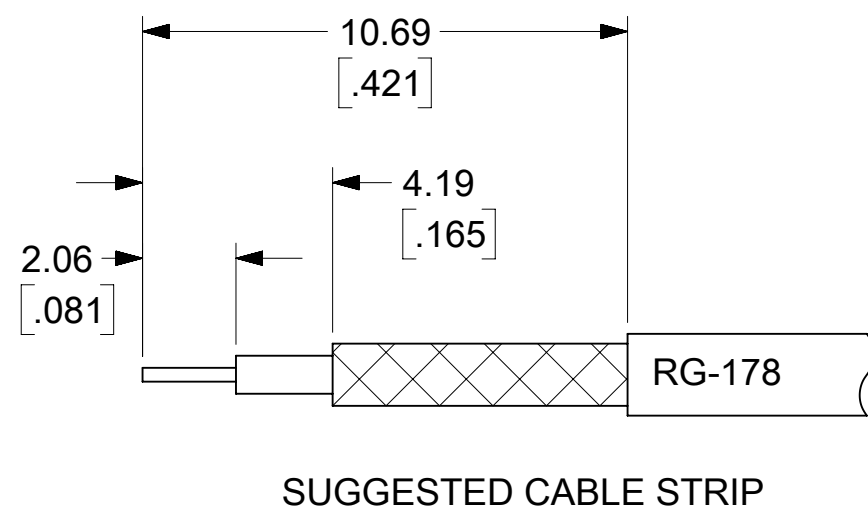
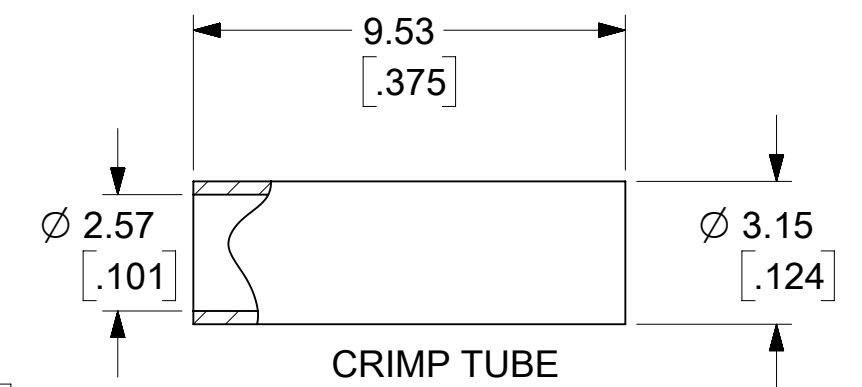
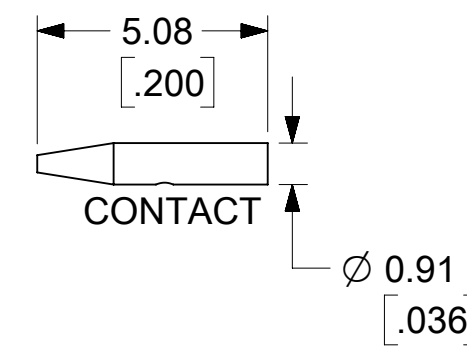
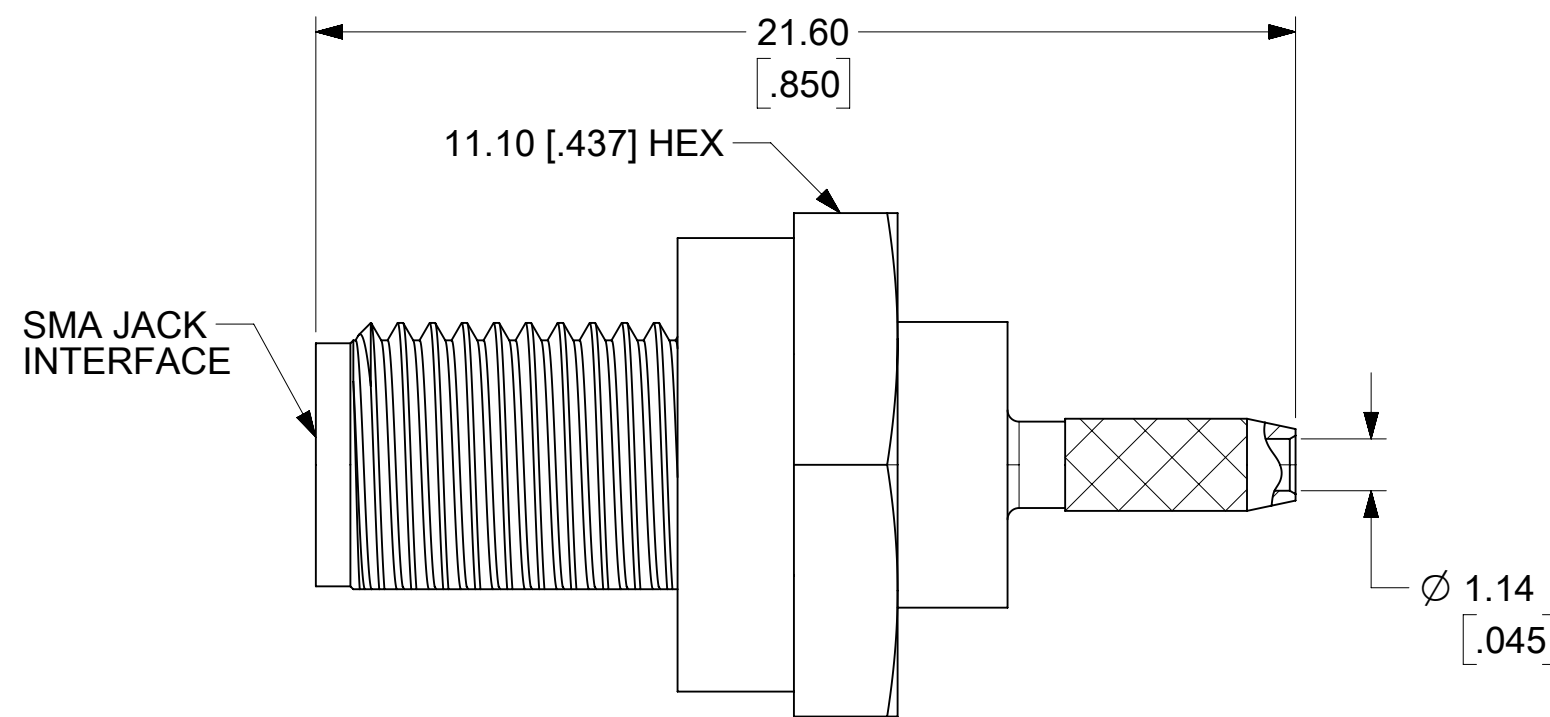
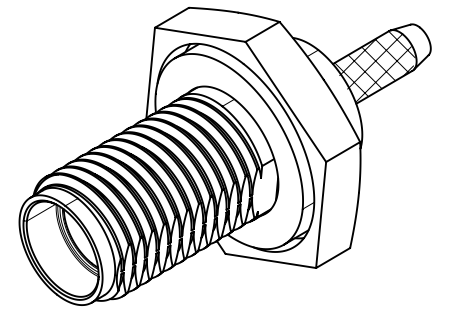
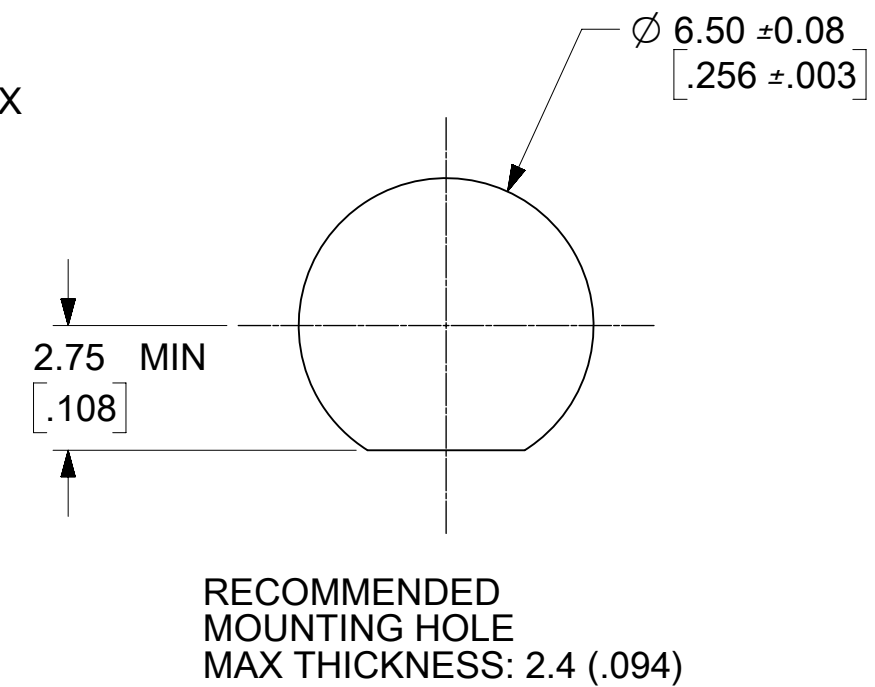
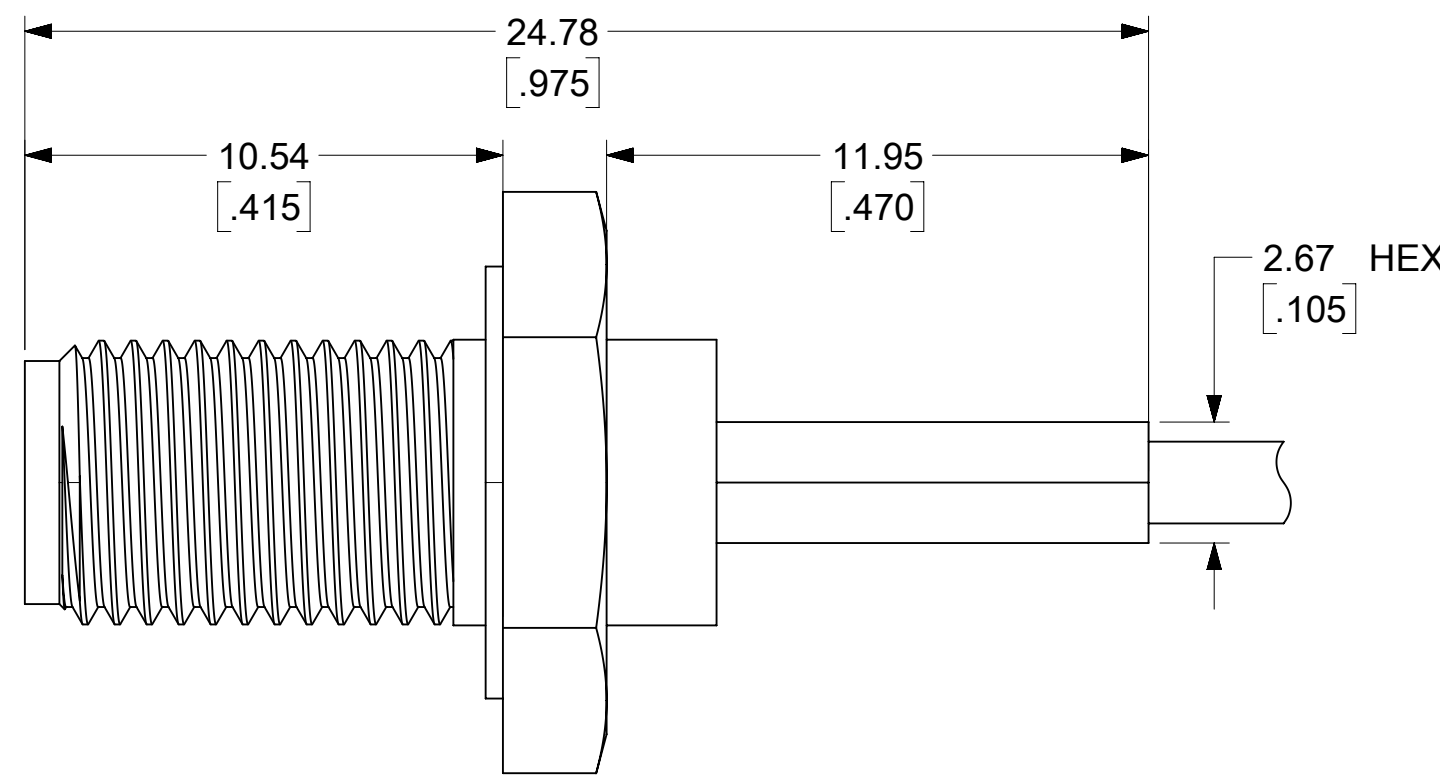
CENTER CONTACT BERYLLIUM COPPER
PLATED GOLD

INSULATOR TEFLON

PIN CONTACT: BRASS
PLATED: GOLD

LOCKWASHER: PHOSPHOR BRONZE
PLATED: GOLD

GASKET: SILICONE RUBBER



MIL - STD - 348A, FIG. 310.2	INTERFACE
SPECIFICATION	DESCRIPTION

73251-1481	SINGLE BAG
73251-1480	BULK
PART NO.	PACKAGING

THIS DRAWING CONTAINS INFORMATION THAT IS PROPRIETARY TO MOLEX ELECTRONIC TECHNOLOGIES, LLC AND SHOULD NOT BE USED WITHOUT WRITTEN PERMISSION									
SYMBOLS		DIMENSION UNITS		SCALE		CURRENT REV DESC: MIGRATED TO NX			
= 0		MM/IN				<p>molex</p> <p>SMA JACK, BLKHD FOR RG178 50 OHMS, EWR-2608 SMA-JC</p> <p>PRODUCT CUSTOMER DRAWING</p> <p>DOCUMENT NUMBER: SD-73251-148 DOC TYPE: PSD DOC PART: 001 REVISION: A4</p> <p>MATERIAL NUMBER: SEE TABLE CUSTOMER: GENERAL MARKET SHEET NUMBER: 1 OF 1</p>			
= 0		GENERAL TOLERANCES (UNLESS SPECIFIED)							
= 0		ANGULAR TOL ± 2.0°							
= 0		4 PLACES ±							
= 0		3 PLACES ±							
= 0		2 PLACES ±							
= 0		1 PLACE ±							
= 0		0 PLACES ±							
= 0		DRAFT WHERE APPLICABLE MUST REMAIN WITHIN DIMENSIONS		THIRD ANGLE PROJECTION		DRAWING		SERIES	
= 0				C-SIZE		73251			

EC NO: 177040
 DRWN: SMAHESHBABU 2018/02/15
 CHK'D: CWEI02 2018/05/22
 APPR: YCHENG 2018/05/23

INITIAL REVISION:
 DRWN: JM 2004/10/12
 APPR: JWIENER 2010/01/28

molex

SMA JACK, BLKHD FOR RG178
50 OHMS, EWR-2608 SMA-JC

PRODUCT CUSTOMER DRAWING

DOCUMENT NUMBER: SD-73251-148 | DOC TYPE: PSD | DOC PART: 001 | REVISION: A4

MATERIAL NUMBER: SEE TABLE | CUSTOMER: GENERAL MARKET | SHEET NUMBER: 1 OF 1