

MATERIALS AND FINISHES

BODY BRASS
PLATED SEE TABLE

CENTER CONTACT (MATING END)
PHOSPHOR BRONZE
PLATED SEE TABLE

CENTER CONTACT (PCB)
BRASS
PLATED SEE TABLE

INSULATOR (FRONT)
POLYPROPYLENE

INSULATOR (REAR)
TEFLON

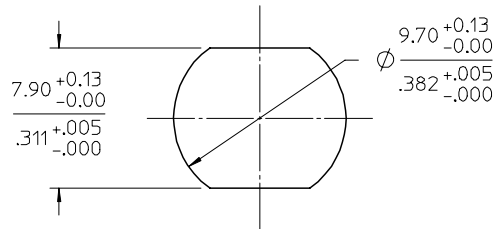
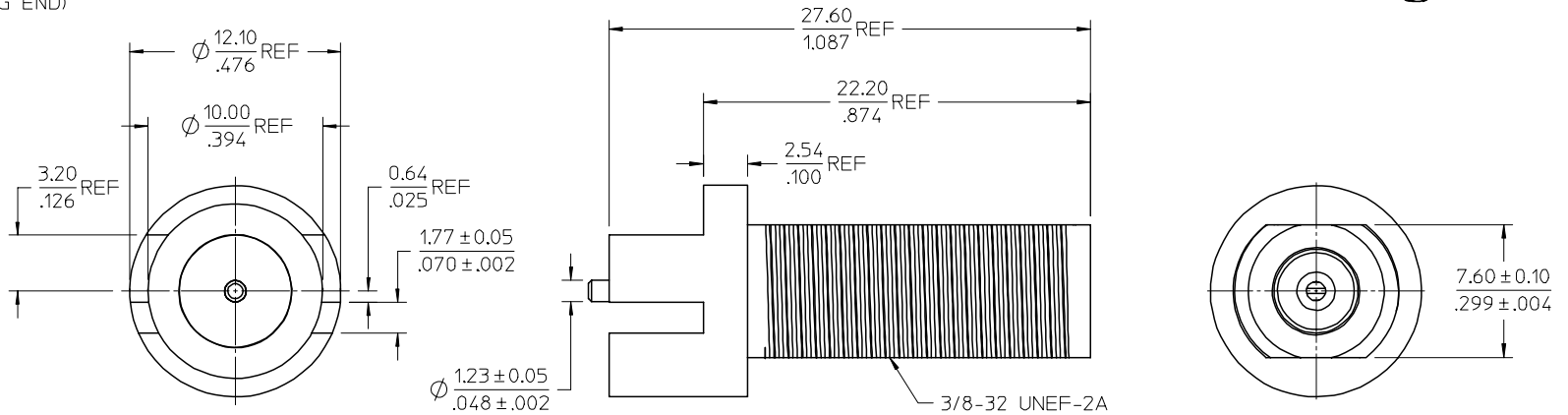
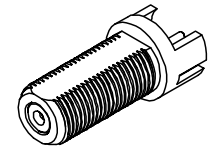
JAM NUT (-0411) BRASS
PLATED NICKEL

SPACER (-0411) DELRIN OR NYLON 46 156F

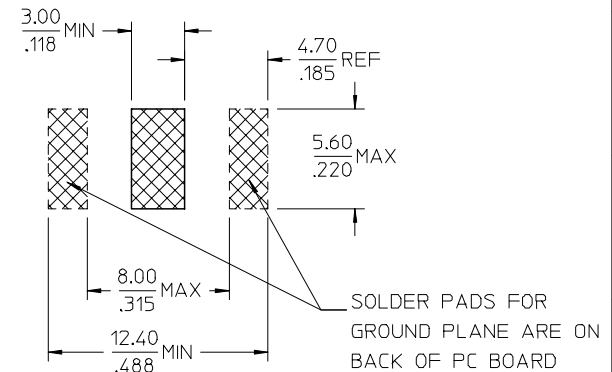
PACKAGING:

BULKPACK

73356-0412	GOLD	GOLD	GOLD
73356-0411	MATTE TIN	MATTE TIN	MATTE TIN
73356-0410	MATTE TIN	MATTE TIN	MATTE TIN
PART NO.	BODY	CONTACT (MAT)	CONTACT (PCB)
	PLATING	PLATING	PLATING



RECOMMENDED MOUNTING HOLE (-0410 ONLY)
RECOMMENDED MOUNTING TORQUE: 1.58 N-m(14 IN-LB) MAX



PC BOARD SOLDER PAD LOCATION

SOLDER PADS FOR GROUND PLANE ARE ON BACK OF PC BOARD

ES-89675-1720	ELEC/MECH PERFORMANCE
SPECIFICATION	DESCRIPTION

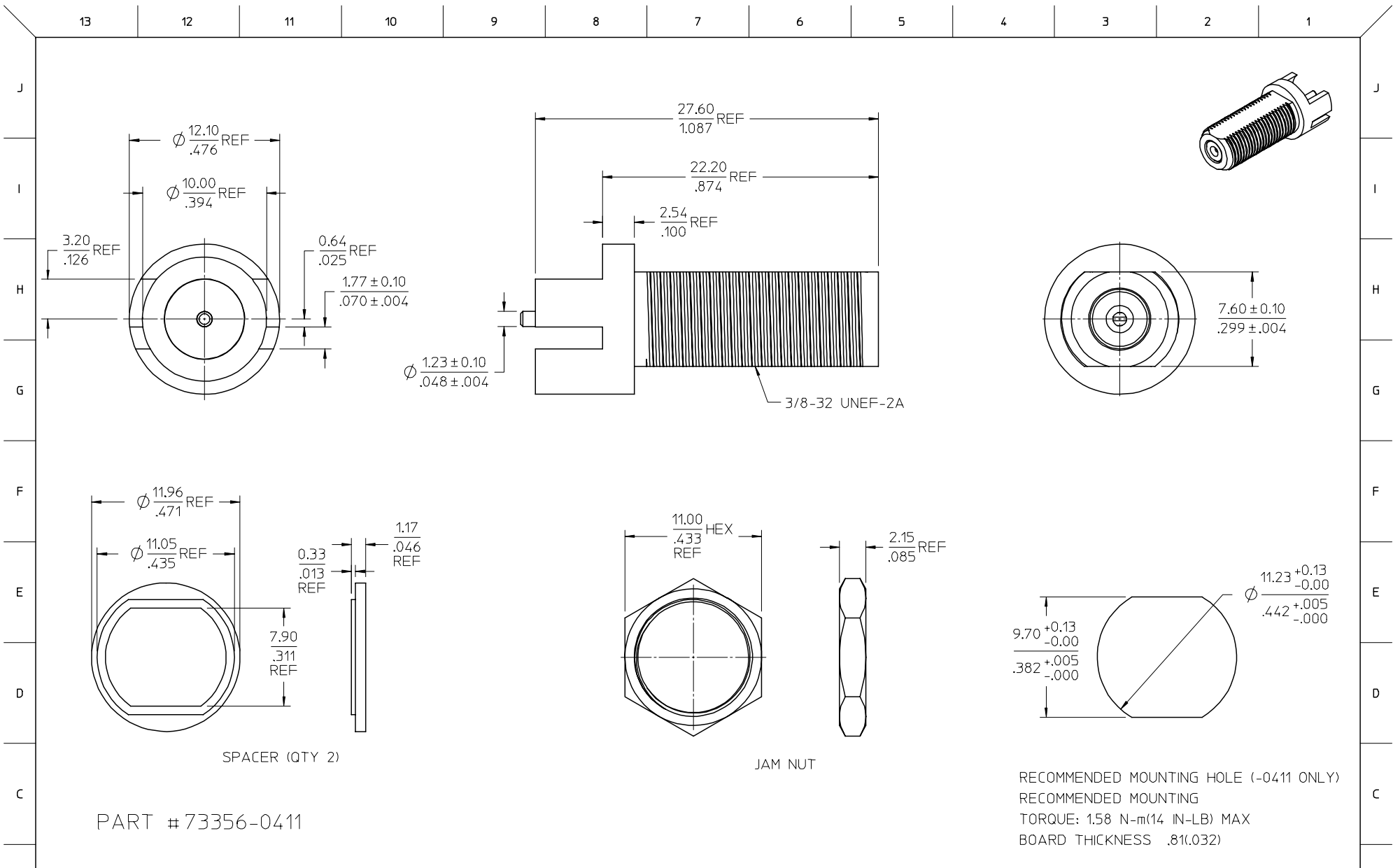
CHG: NEW RELEASE
ADDED MATERIAL
FOR FRONT
INSULATOR, SPACER
MATERIAL WAS
DELRIN OR STANYL
ADDED -0412
FC NO: URF2006-0174
DRAWN:SSAH 2005/11/15
CHKD:IF LAHERY 2005/11/16
APPR:JIM ENER 2005/11/16

QUALITY SYMBOLS

GENERAL TOLERANCES (UNLESS SPECIFIED)	
4 PLACES	± .005
3 PLACES	± .004
2 PLACES	± .003
1 PLACE	± .002
ANGULAR ± 2 °	
DRAFT WHERE APPLICABLE MUST REMAIN WITHIN DIMENSIONS	

DIMENSION STYLE	
MM/IN	
DRAWN BY	DATE
JM	2005/09/12
CHECKED BY	DATE
JM	2005/09/12
APPROVED BY	DATE
JDW	2005/09/12
MATERIAL NO.	733560410

SCALE	DESIGN UNITS	THIRD ANGLE PROJECTION
	METRIC	
F JACK, PCB, LAUNCHER EWR-2211 F-J/PCB/LAUNCHER		
molex MOLEX INCORPORATED		
DOCUMENT NO.	SHEET NO.	
SD-73356-041	1 OF 2	



PART # 73356-0411

SPACER (QTY 2)

JAM NUT

RECOMMENDED MOUNTING HOLE (-0411 ONLY)
 RECOMMENDED MOUNTING
 TORQUE: 1.58 N-m(14 IN-LB) MAX
 BOARD THICKNESS .81(.032)

A	B	C	D	E	F	G	H	I	J	1	2	3	4	5	6	7	8	9	10	11	12	13	CHG: SEE SHEET 1 FC NO: URF2006-0174 DRWNS: SHAH 2005/11/15 CHKD: FLAHERTY 2005/11/16 APPR: JIMENER 2005/11/16 REVISION DESCRIPTION	QUALITY SYMBOLS $\nabla=0$ $\nabla=0$	GENERAL TOLERANCES (UNLESS SPECIFIED) <table border="1"> <tr> <th></th> <th>mm</th> <th>INCH</th> </tr> <tr> <td>4 PLACES</td> <td>± .005</td> <td>± .0005</td> </tr> <tr> <td>3 PLACES</td> <td>± .004</td> <td>± .0004</td> </tr> <tr> <td>2 PLACES</td> <td>± .003</td> <td>± .0003</td> </tr> <tr> <td>1 PLACE</td> <td>± .002</td> <td>± .0002</td> </tr> </table>		mm	INCH	4 PLACES	± .005	± .0005	3 PLACES	± .004	± .0004	2 PLACES	± .003	± .0003	1 PLACE	± .002	± .0002	DIMENSION STYLE MM/IN	SCALE DESIGN UNITS METRIC	THIRD ANGLE PROJECTION
																								mm	INCH																		
																							4 PLACES	± .005	± .0005																		
																							3 PLACES	± .004	± .0004																		
2 PLACES	± .003	± .0003																																									
1 PLACE	± .002	± .0002																																									
DRAWN BY JM DATE 2005/09/12	CHECKED BY JM DATE 2005/09/12	APPROVED BY JDW DATE 2005/09/12	MATERIAL NO. 733560411	DOCUMENT NO. SD-73356-041	SHEET NO. 2 OF 2																																						
DRAFT WHERE APPLICABLE MUST REMAIN WITHIN DIMENSIONS			SIZE C	THIS DRAWING CONTAINS INFORMATION THAT IS PROPRIETARY TO MOLEX INCORPORATED AND SHOULD NOT BE USED WITHOUT WRITTEN PERMISSION																																							
F JACK, PCB, LAUNCHER EWR-2211 F-J/PCB/LAUNCHER MOLEX INCORPORATED																																											