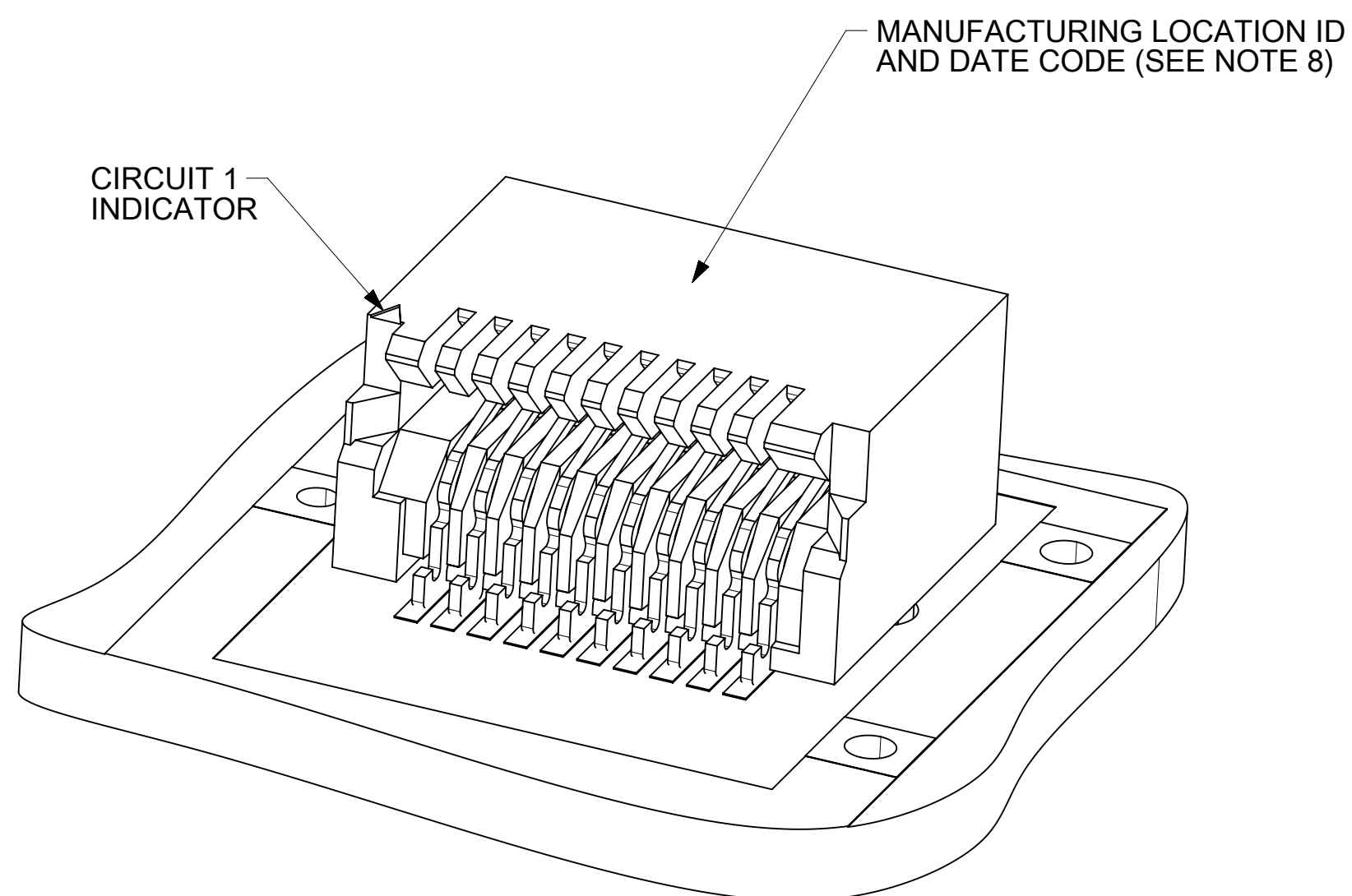


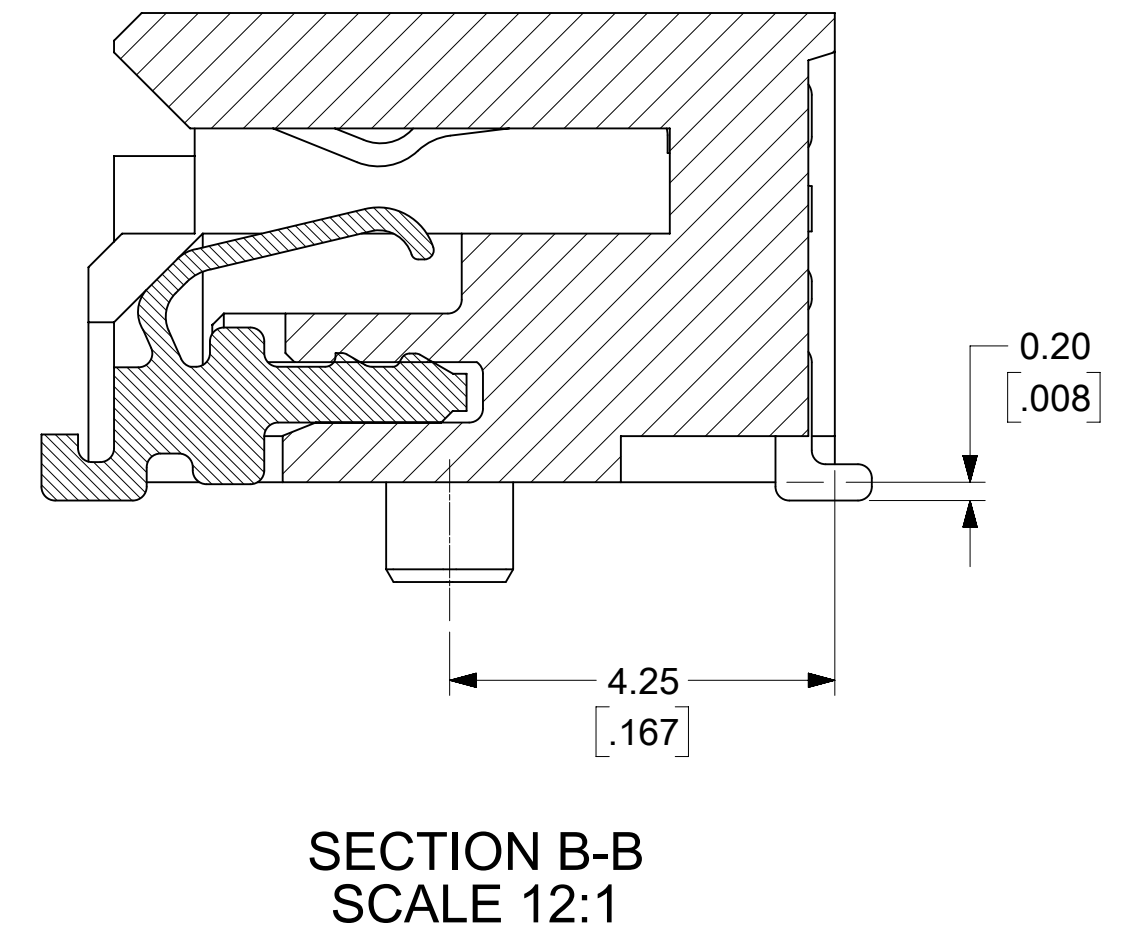
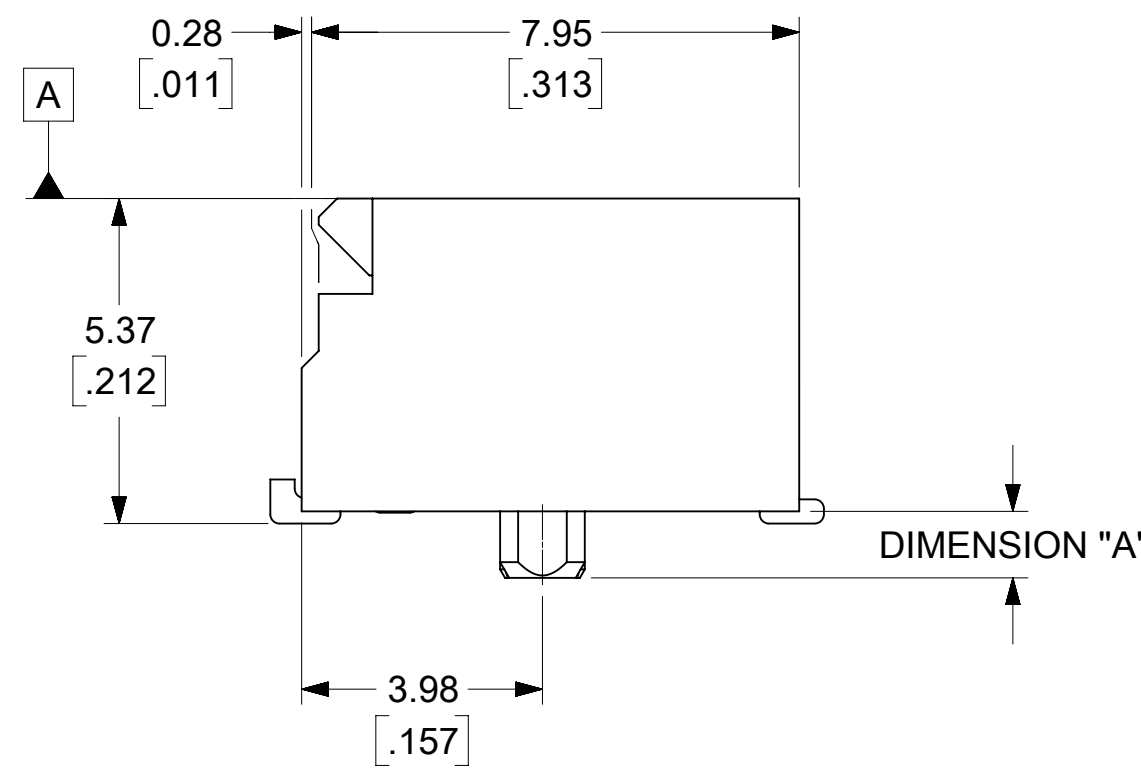
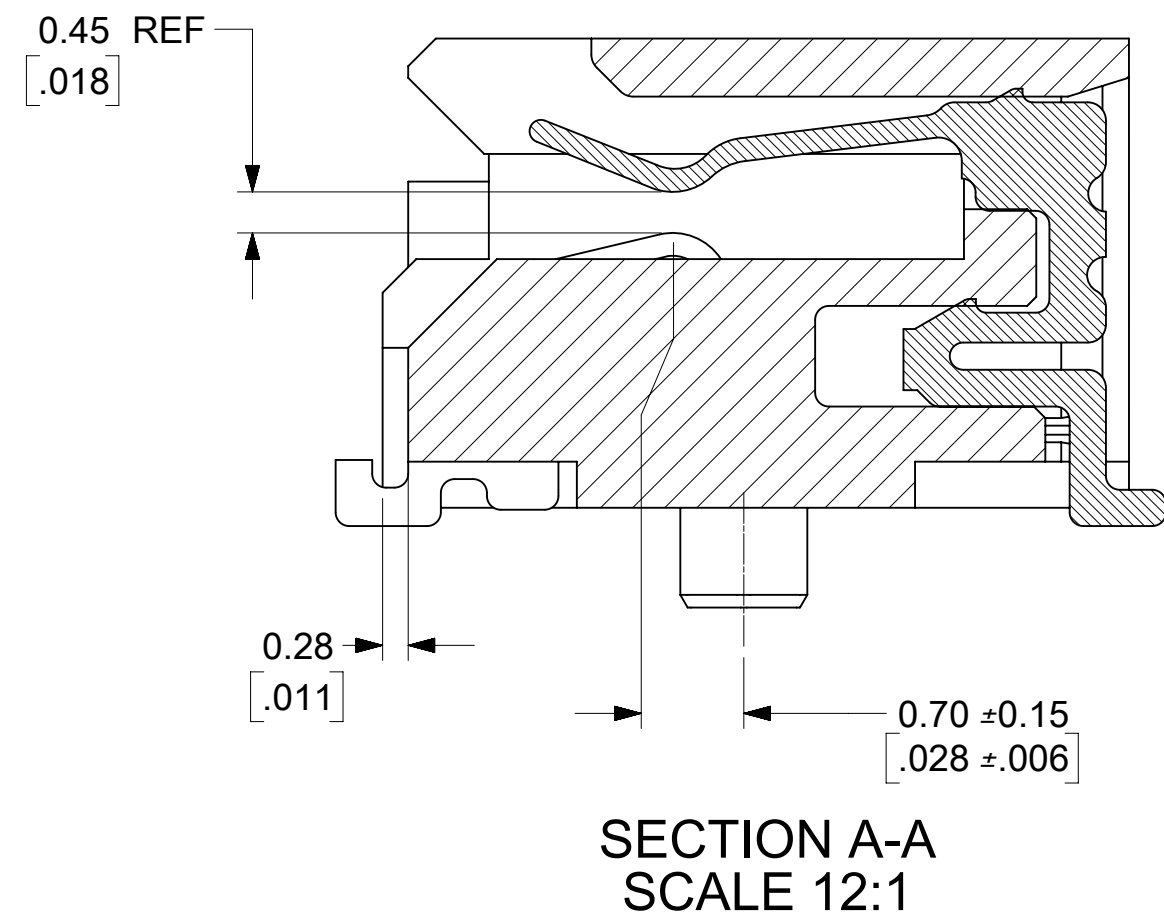
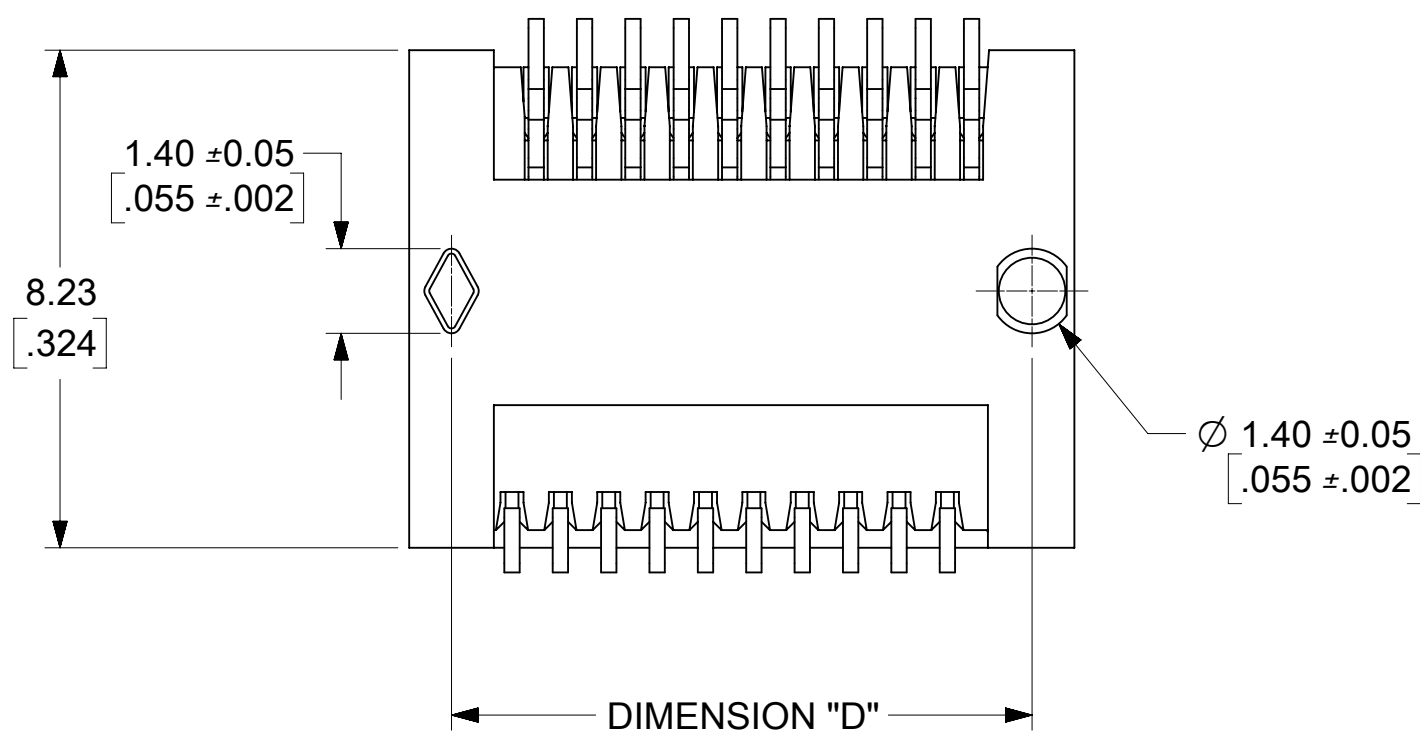
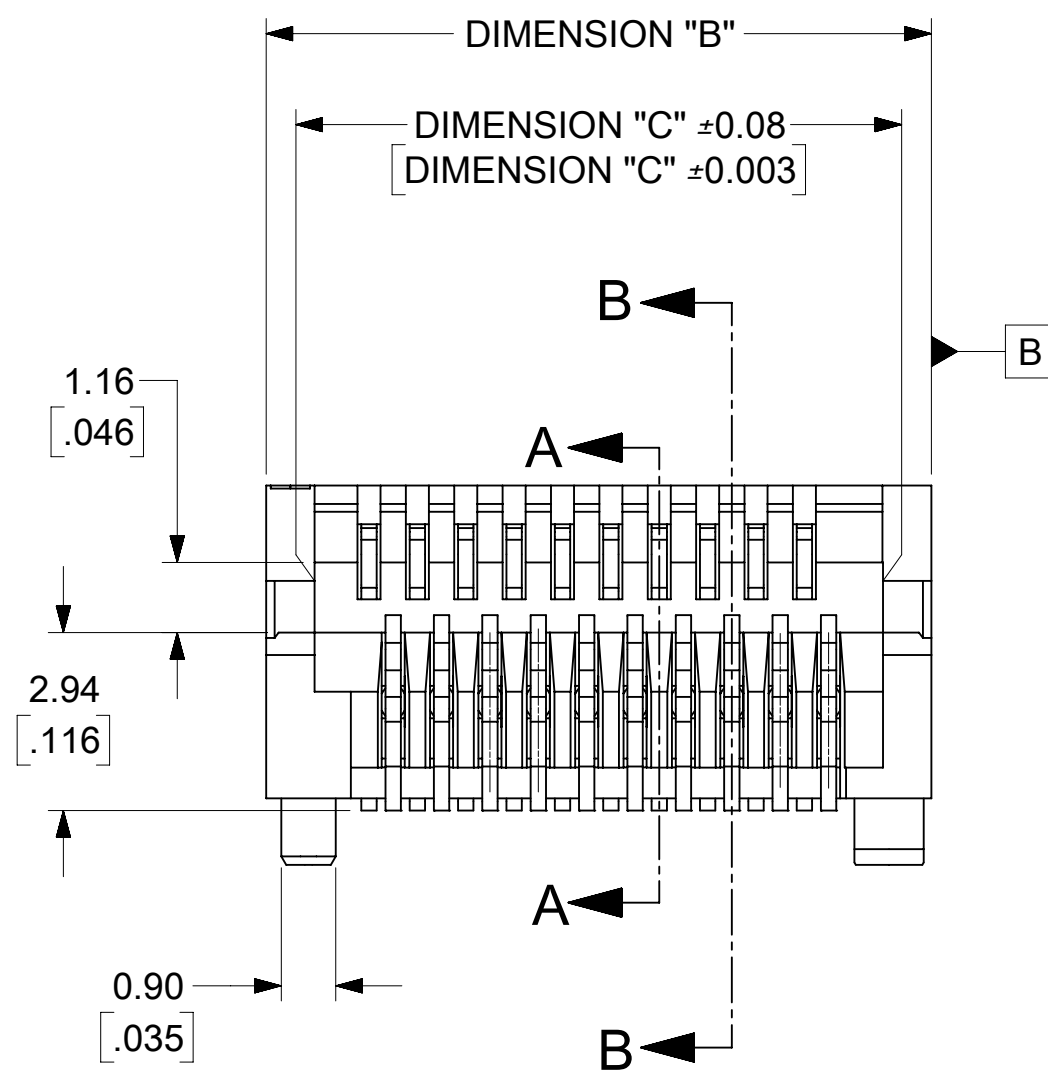
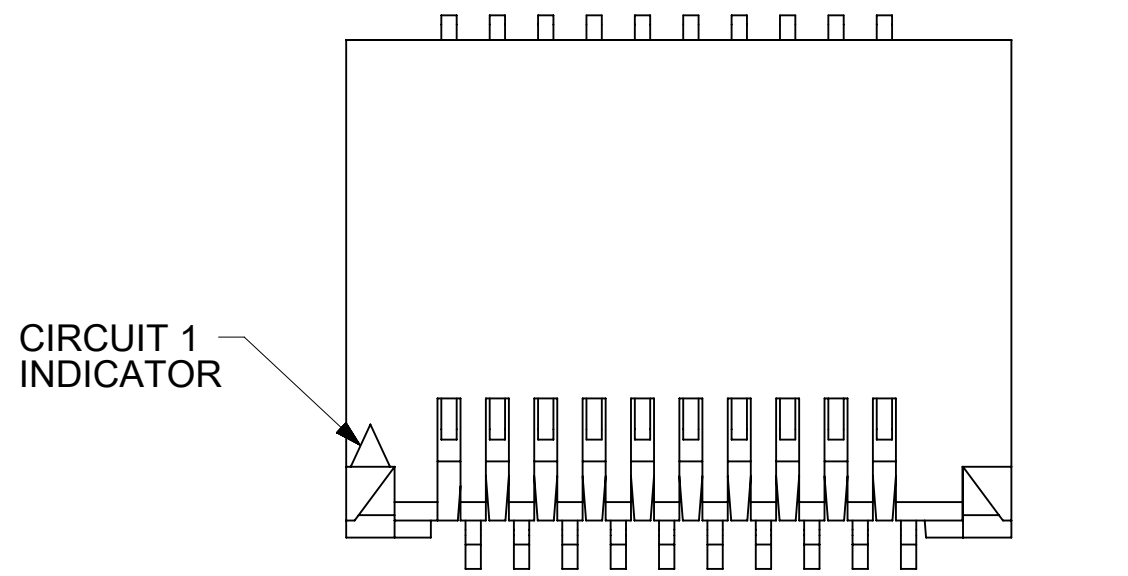
CKT SIZE	PART NUMBER	TOOLED	DESCRIPTION	DIMENSIONS				MULTI-SOURCE AGREEMENT	CIRCUIT BOARD LAYOUT
				"A"	"B"	"C"	"D"		
20	74441-0001	YES	PLATED PER NOTE 2	1.10/.043	11.00/.433	9.40/.370	9.60/.378	SFP	SEE SHEET 3
	74441-0004	NO*	PLATED PER NOTE 2	0.76/.030					
	74441-0010	YES	PLATED PER NOTE 3	1.10/.043					
	74441-0014	NO*	PLATED PER NOTE 3	0.76/.030					
	74441-0031	YES	PLATED PER NOTE 4	1.10/.043					
	74441-0041	YES	PLATED PER NOTE 5	1.10/.043					
30	74441-0007	YES	PLATED PER NOTE 2	1.10/.043	15.00/.591	13.40/.528	13.60/.535	XFP	SEE SHEET 4
	74441-0017	YES	PLATED PER NOTE 3	1.10/.043					
	74441-0009	YES	PLATED PER NOTE 2	1.10/.043					
	74441-0019	YES	PLATED PER NOTE 3	1.10/.043					
40	74441-0037	YES	PLATED PER NOTE 4	1.10/.043	19.00/.748	17.40/.685	17.60/.693		SEE SHEET 5
	74441-0005	YES	PLATED PER NOTE 2	1.10/.043					
	74441-0015	YES	PLATED PER NOTE 3	1.10/.043					
50	74441-0035	YES	PLATED PER NOTE 4	1.10/.043	23.00/.906	21.40/.843	21.60/.850		SEE SHEET 6
	74441-0008	YES	PLATED PER NOTE 2	1.10/.043					
	74441-0018	YES	PLATED PER NOTE 3	1.10/.043					
70	74441-0038	YES	PLATED PER NOTE 5	1.10/.043	31.00/1.220	29.40/1.517	29.60/1.165	XENPAK XPAK X2	SEE SHEET 7
	74441-0003	YES	PLATED PER NOTE 2	1.10/.043					
	74441-0013	YES	PLATED PER NOTE 3	1.10/.043					
	74441-0033	YES	PLATED PER NOTE 4	1.10/.043					

NOTES

- MATERIAL:**
HOUSING - HIGH TEMPERATURE THERMOPLASTIC GLASS FILLED, UL 94V-0, BLACK
TERMINALS - COPPER ALLOY
- PLATING (SEE TABLE):**
CONTACT AREA - 0.38 MICROMETER MINIMUM GOLD OVER NICKEL
SOLDER FOOT AREA - 2.54 MICROMETER MINIMUM TIN OVER NICKEL
- PLATING (SEE TABLE):**
CONTACT AREA - 0.76 MICROMETER MINIMUM GOLD OVER NICKEL
SOLDER AREA - 2.54 MICROMETER MINIMUM TIN OVER NICKEL
- PLATING (SEE TABLE):**
CONTACT AREA - 0.76 MICROMETER MINIMUM GOLD OVER
2.54 MICROMETERS MINIMUM NICKEL.
SOLDER AREA: GOLD FLASH OVER NICKEL.
- PLATING (SEE TABLE):**
CONTACT AREA - 0.38 MICROMETER MINIMUM GOLD OVER NICKEL;
SOLDER AREA: GOLD FLASH OVER NICKEL.
- SOLDER FEET COPLANAR WITHIN 0.10/.004 FOR 20, 30 AND 40 CIRCUIT CONNECTORS,
WITHIN 0.15/.006 FOR 50 AND 70 CIRCUIT CONNECTORS
- * CONTACT PLANT FOR MORE INFORMATION
- DATE CODE: 4 DIGIT (3 DIGIT DAY, 1 DIGIT YEAR)
- THE CIRCUIT 1 INDICATOR MAY VARY IN SIZE AND APPEARANCE.



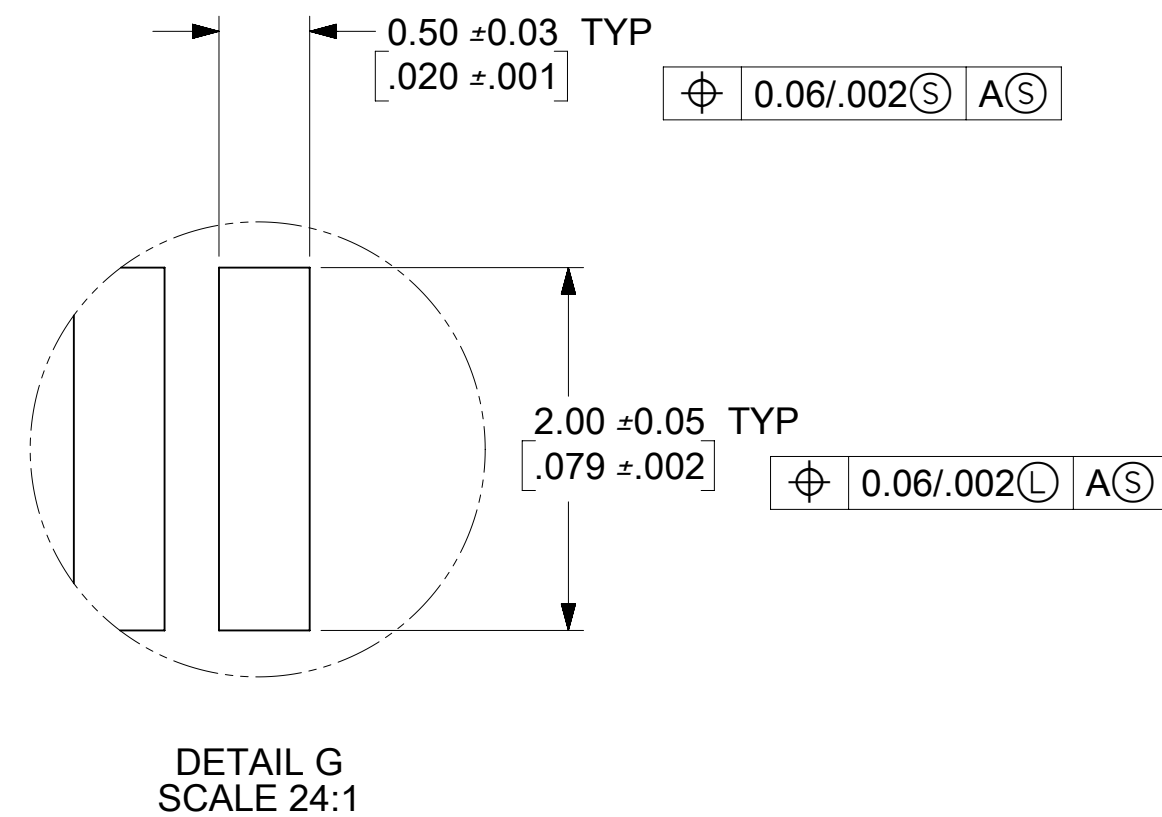
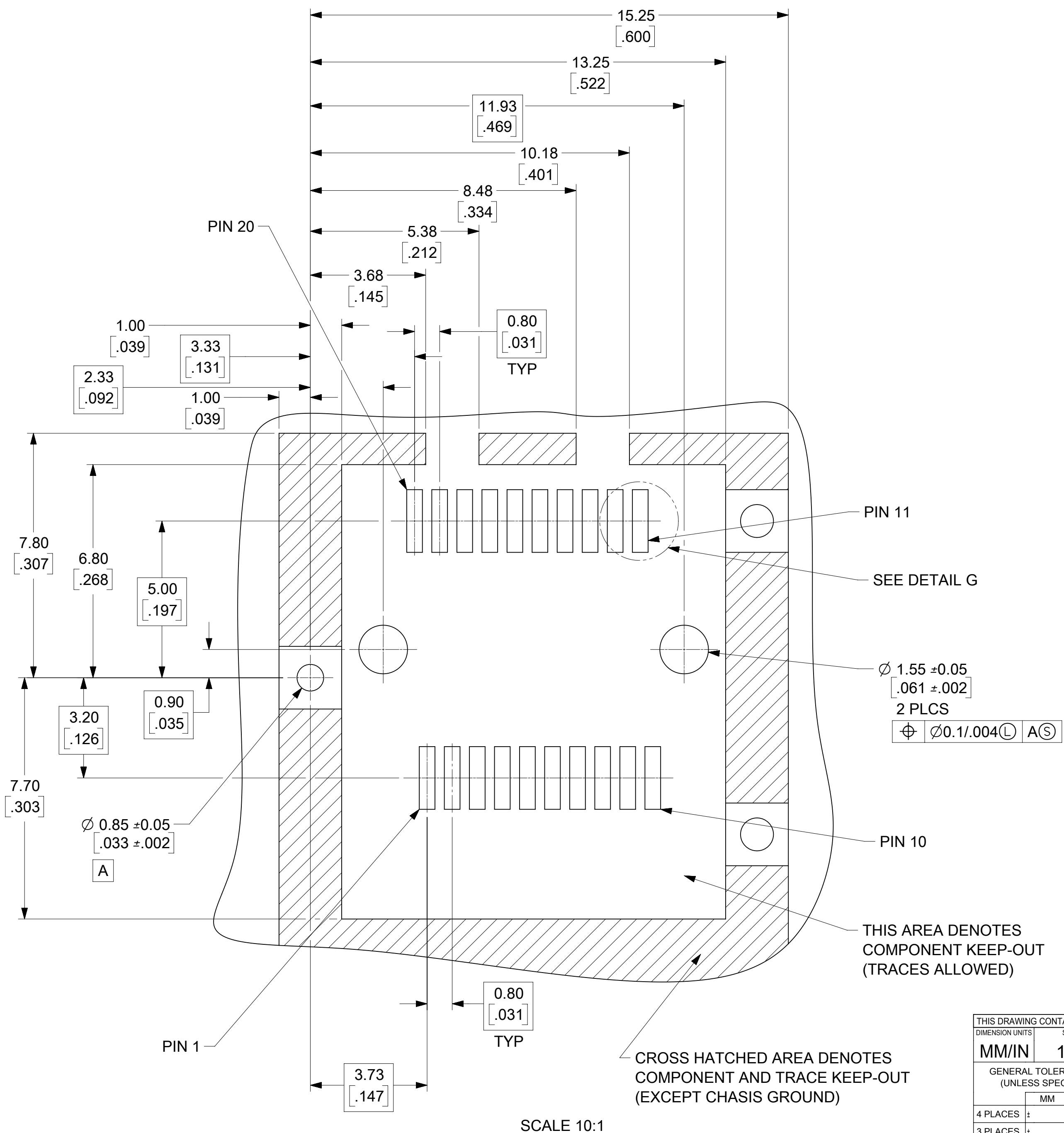
THIS DRAWING CONTAINS INFORMATION THAT IS PROPRIETARY TO MOLEX ELECTRONIC TECHNOLOGIES, LLC AND SHOULD NOT BE USED WITHOUT WRITTEN PERMISSION									
DIMENSION UNITS		SCALE		CURRENT REV DESC: CORRECT DIMENSION					
MM/IN		8:1							
GENERAL TOLERANCES (UNLESS SPECIFIED)				EC NO: 602779					
		MM		INCH		DRWN: RCHEN55 2018/08/17			
4 PLACES		±		±		CHK'D: JKACHLIC 2018/08/24			
3 PLACES		±		± 0.005		APPR: JKACHLIC 2018/08/24			
2 PLACES		± 0.13		± 0.01		INITIAL REVISION:			
1 PLACE		± 0.25		±		DRWN: HAVERY 00/04/06			
0 PLACES		±		±		APPR: MBANAKIS 00/04/06			
ANGULAR TOL		± 0.5 °							
DRAFT WHERE APPLICABLE MUST REMAIN WITHIN DIMENSIONS				THIRD ANGLE PROJECTION		DRAWING		SERIES	
				C-SIZE		74441			
DOCUMENT STATUS				P1		RELEASE DATE		2018/08/24 03:47:16	
DOCUMENT NUMBER				DOC TYPE		DOC PART		REVISION	
SD-74441-001				PSD		001		AB	
MATERIAL NUMBER				CUSTOMER		SHEET NUMBER			
SEE TABLE				GENERAL MARKET		1 OF 7			



THIS DRAWING CONTAINS INFORMATION THAT IS PROPRIETARY TO MOLEX ELECTRONIC TECHNOLOGIES, LLC AND SHOULD NOT BE USED WITHOUT WRITTEN PERMISSION

DIMENSION UNITS		SCALE		CURRENT REV DESC: CORRECT DIMENSION							
MM/IN		8:1									
GENERAL TOLERANCES (UNLESS SPECIFIED)				EC NO: 602779				SALES ASSEMBLY Z AXIS PLUGGABLE PCB CONNECTOR			
				DRWN: RCHEN55 2018/08/17							
4 PLACES ±				CHK'D: JKACHLIC 2018/08/24				PRODUCT CUSTOMER DRAWING			
3 PLACES ±				APPR: JKACHLIC 2018/08/24							
2 PLACES ± 0.13 ± 0.01				INITIAL REVISION:				DOCUMENT NUMBER: SD-74441-001 DOC TYPE: PSD DOC PART: 001 REVISION: AB			
1 PLACE ± 0.25 ±				DRWN: HAVERY 00/04/06							
0 PLACES ±				APPR: MBANAKIS 00/04/06				MATERIAL NUMBER: SEE TABLE CUSTOMER: GENERAL MARKET SHEET NUMBER: 2 OF 7			
ANGULAR TOL ± 0.5 °				THIRD ANGLE PROJECTION							
DRAFT WHERE APPLICABLE MUST REMAIN WITHIN DIMENSIONS				DRAWING: C-SIZE		SERIES: 74441					

DOCUMENT STATUS	P1	RELEASE DATE	2018/08/24 03:47:16
-----------------	----	--------------	---------------------



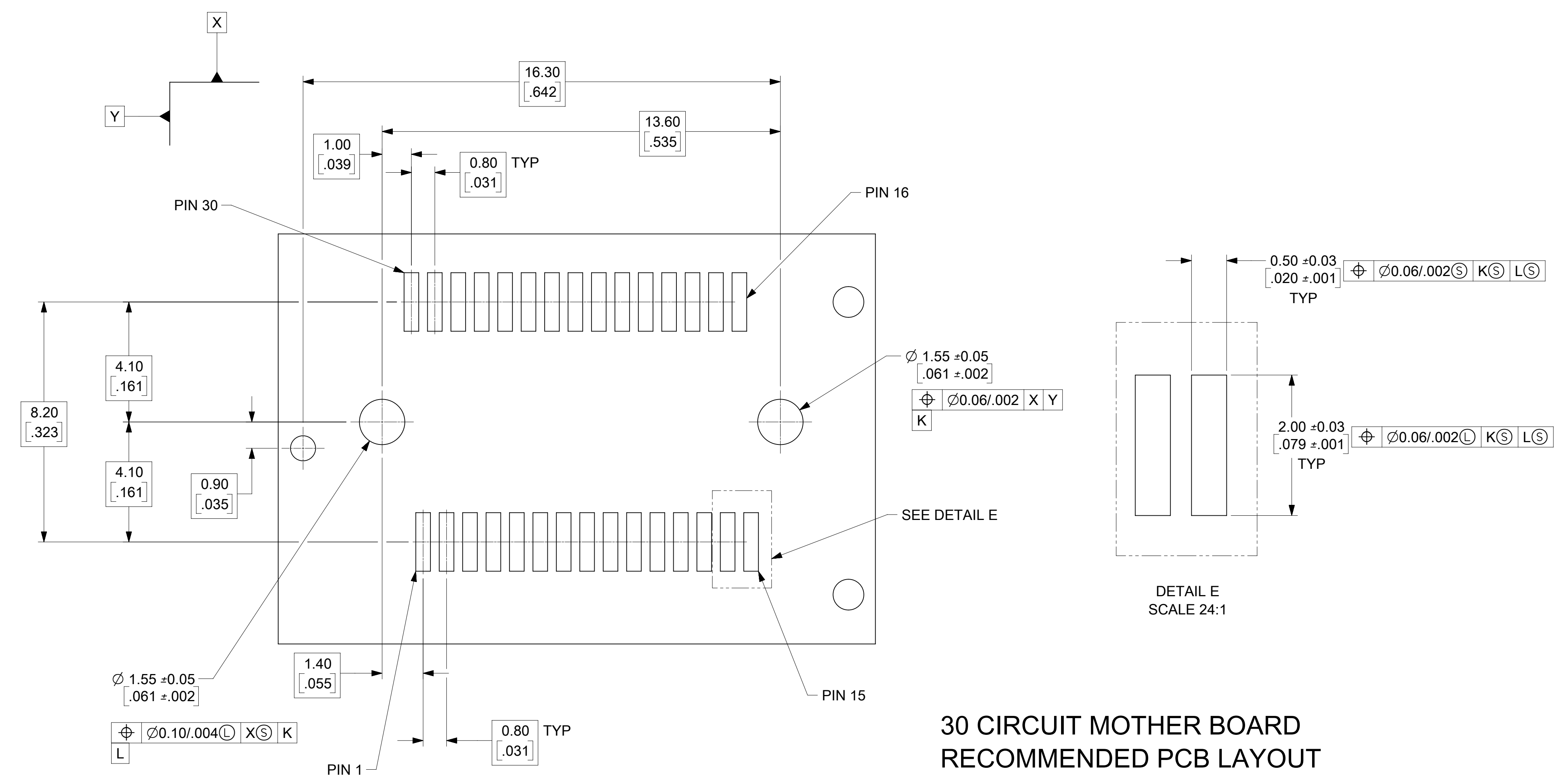
20 CIRCUIT MOTHER BOARD RECOMMENDED PCB LAYOUT

THIS AREA DENOTES
COMPONENT KEEP-OUT
(TRACES ALLOWED)

CROSS HATCHED AREA DENOTES
COMPONENT AND TRACE KEEP-OUT
(EXCEPT CHASIS GROUND)

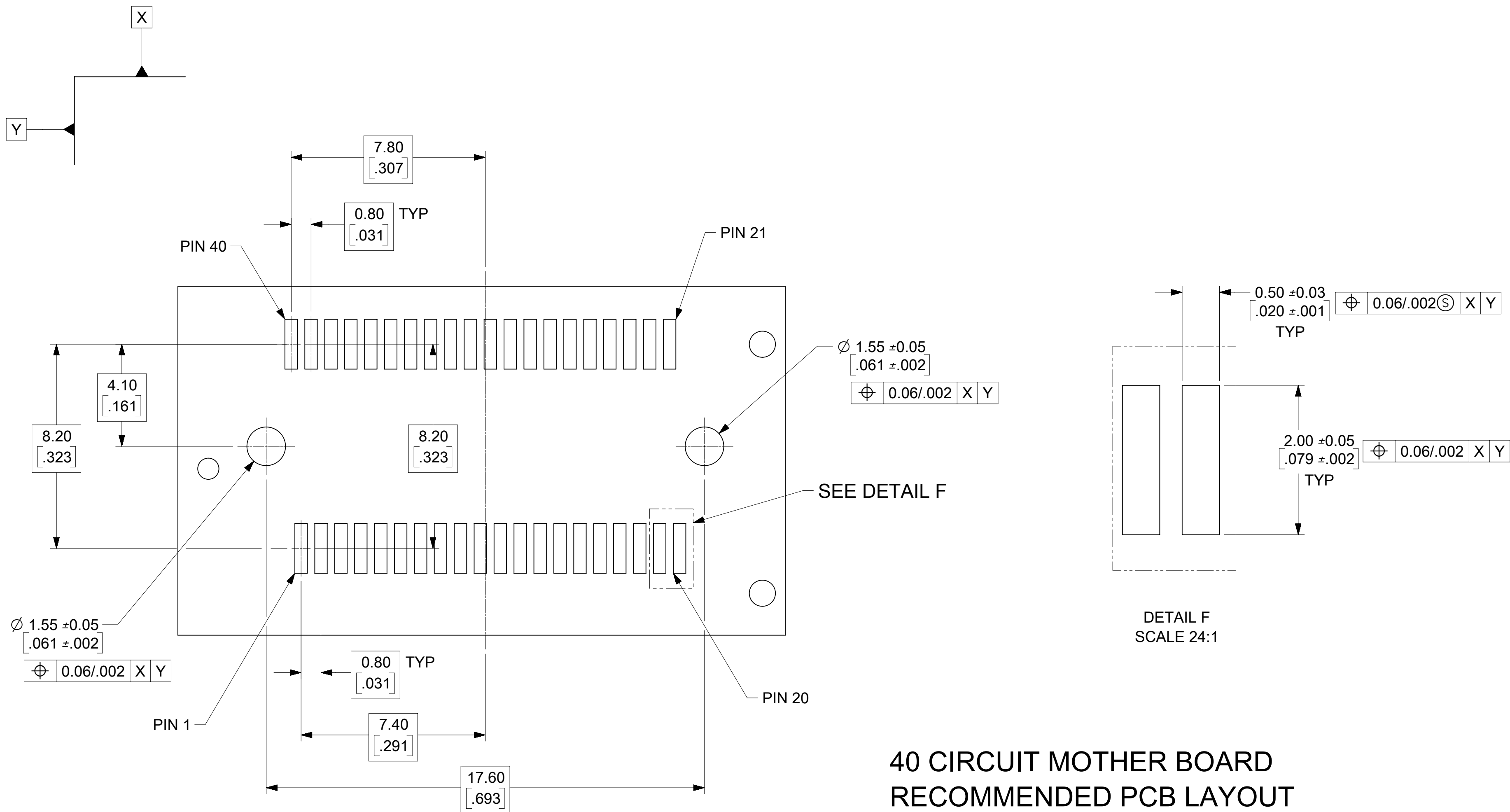
SCALE 10:1

THIS DRAWING CONTAINS INFORMATION THAT IS PROPRIETARY TO MOLEX ELECTRONIC TECHNOLOGIES, LLC AND SHOULD NOT BE USED WITHOUT WRITTEN PERMISSION									
DIMENSION UNITS		SCALE		CURRENT REV DESC: CORRECT DIMENSION					
MM/IN		10:1							
GENERAL TOLERANCES (UNLESS SPECIFIED)									
		MM	INCH	EC NO: 602779					
4 PLACES		±	±	DRWN: RCHEN55		2018/08/17			
3 PLACES		±	± 0.005	CHK'D: JKACHLIC		2018/08/24			
2 PLACES		± 0.13	± 0.01	APPR: JKACHLIC		2018/08/24			
1 PLACE		± 0.25	±	INITIAL REVISION:					
0 PLACES		±	±	DRWN: HAVERY		00/04/06		00/04/06	
ANGULAR TOL		± 0.5 °		APPR: MBANAKIS					
DRAFT WHERE APPLICABLE MUST REMAIN WITHIN DIMENSIONS				THIRD ANGLE PROJECTION		DRAWING		SERIES	
				C-SIZE		74441			
DOCUMENT STATUS				P1		RELEASE DATE		2018/08/24 03:47:16	
DOCUMENT NUMBER				DOC TYPE		DOC PART		REVISION	
SD-74441-001				PSD		001		AB	
MATERIAL NUMBER				CUSTOMER		SHEET NUMBER			
SEE TABLE				GENERAL MARKET		3 OF 7			



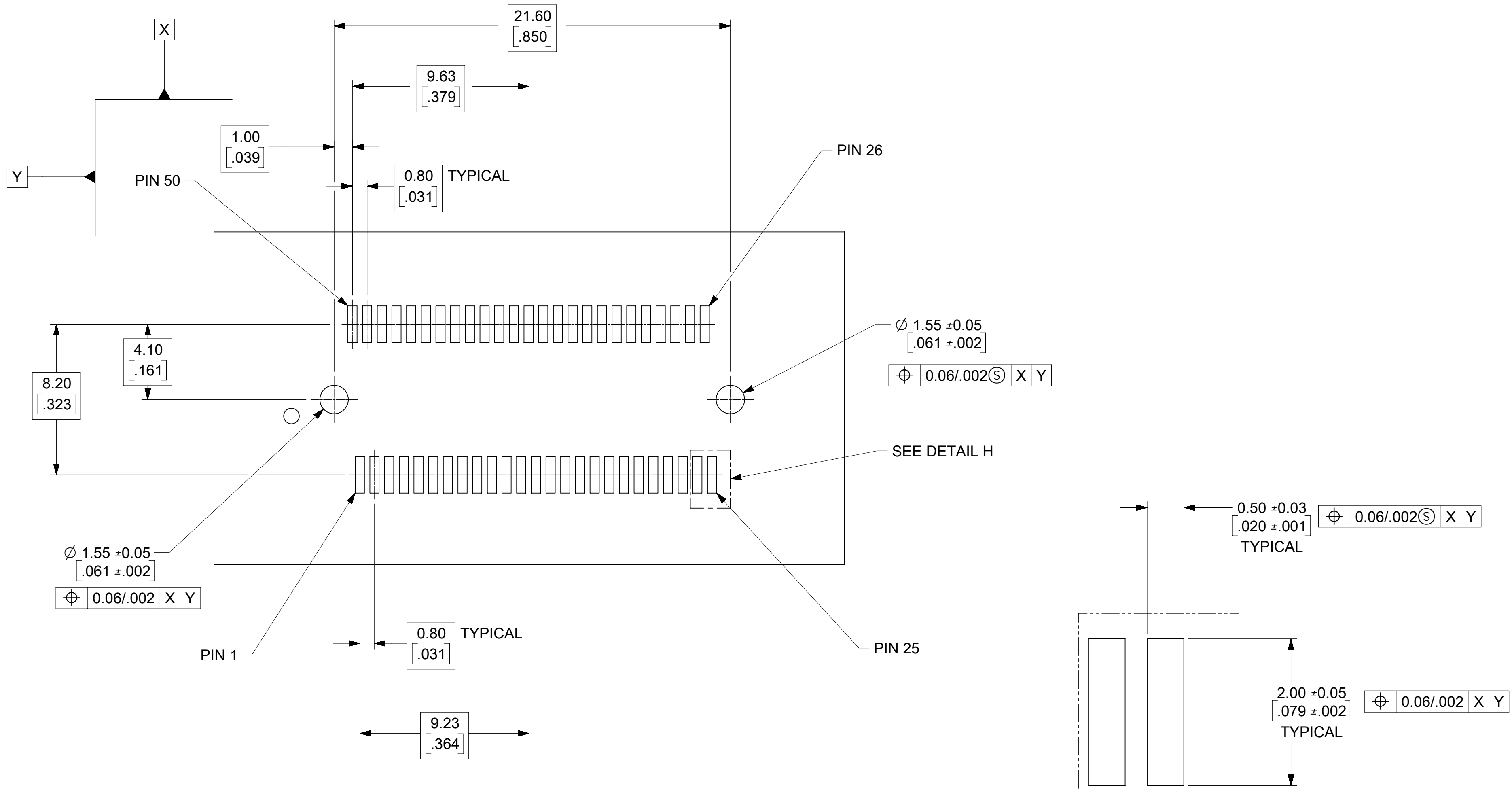
30 CIRCUIT MOTHER BOARD RECOMMENDED PCB LAYOUT

THIS DRAWING CONTAINS INFORMATION THAT IS PROPRIETARY TO MOLEX ELECTRONIC TECHNOLOGIES, LLC AND SHOULD NOT BE USED WITHOUT WRITTEN PERMISSION																																																																								
DIMENSION UNITS		SCALE		CURRENT REV DESC: CORRECT DIMENSION																																																																				
MM/IN		6:1		<table border="1"> <tr> <td colspan="2">GENERAL TOLERANCES (UNLESS SPECIFIED)</td> <td colspan="2">EC NO: 602779</td> <td colspan="2">SALES ASSEMBLY</td> </tr> <tr> <td>4 PLACES</td> <td>±</td> <td>±</td> <td>DRWN: RCHEN55</td> <td colspan="2">2018/08/17</td> </tr> <tr> <td>3 PLACES</td> <td>±</td> <td>± 0.005</td> <td>CHK'D: JKACHLIC</td> <td colspan="2">2018/08/24</td> </tr> <tr> <td>2 PLACES</td> <td>± 0.13</td> <td>± 0.01</td> <td>APPR: JKACHLIC</td> <td colspan="2">2018/08/24</td> </tr> <tr> <td>1 PLACE</td> <td>± 0.25</td> <td>±</td> <td colspan="2">INITIAL REVISION:</td> <td></td> </tr> <tr> <td>0 PLACES</td> <td>±</td> <td>±</td> <td>DRWN: HAVERY</td> <td>00/04/06</td> <td></td> </tr> <tr> <td colspan="2">ANGULAR TOL</td> <td colspan="2">± 0.5 °</td> <td>APPR: MBANAKIS</td> <td>00/04/06</td> <td></td> </tr> <tr> <td colspan="2">DRAFT WHERE APPLICABLE MUST REMAIN WITHIN DIMENSIONS</td> <td colspan="2">THIRD ANGLE PROJECTION</td> <td>DRAWING</td> <td>SERIES</td> <td>MATERIAL NUMBER</td> <td>CUSTOMER</td> <td colspan="2">SHEET NUMBER</td> </tr> <tr> <td colspan="2"></td> <td colspan="2"> </td> <td>C-SIZE</td> <td>74441</td> <td>SEE TABLE</td> <td>GENERAL MARKET</td> <td colspan="2">4 OF 7</td> </tr> </table>						GENERAL TOLERANCES (UNLESS SPECIFIED)		EC NO: 602779		SALES ASSEMBLY		4 PLACES	±	±	DRWN: RCHEN55	2018/08/17		3 PLACES	±	± 0.005	CHK'D: JKACHLIC	2018/08/24		2 PLACES	± 0.13	± 0.01	APPR: JKACHLIC	2018/08/24		1 PLACE	± 0.25	±	INITIAL REVISION:			0 PLACES	±	±	DRWN: HAVERY	00/04/06		ANGULAR TOL		± 0.5 °		APPR: MBANAKIS	00/04/06		DRAFT WHERE APPLICABLE MUST REMAIN WITHIN DIMENSIONS		THIRD ANGLE PROJECTION		DRAWING	SERIES	MATERIAL NUMBER	CUSTOMER	SHEET NUMBER						C-SIZE	74441	SEE TABLE	GENERAL MARKET	4 OF 7	
GENERAL TOLERANCES (UNLESS SPECIFIED)		EC NO: 602779								SALES ASSEMBLY																																																														
4 PLACES	±	±	DRWN: RCHEN55							2018/08/17																																																														
3 PLACES	±	± 0.005	CHK'D: JKACHLIC							2018/08/24																																																														
2 PLACES	± 0.13	± 0.01	APPR: JKACHLIC							2018/08/24																																																														
1 PLACE	± 0.25	±	INITIAL REVISION:																																																																					
0 PLACES	±	±	DRWN: HAVERY	00/04/06																																																																				
ANGULAR TOL		± 0.5 °		APPR: MBANAKIS	00/04/06																																																																			
DRAFT WHERE APPLICABLE MUST REMAIN WITHIN DIMENSIONS		THIRD ANGLE PROJECTION		DRAWING	SERIES	MATERIAL NUMBER	CUSTOMER	SHEET NUMBER																																																																
				C-SIZE	74441	SEE TABLE	GENERAL MARKET	4 OF 7																																																																
molex				SALES ASSEMBLY Z AXIS PLUGGABLE PCB CONNECTOR																																																																				
PRODUCT CUSTOMER DRAWING																																																																								
DOCUMENT NUMBER				DOC TYPE		DOC PART		REVISION																																																																
SD-74441-001				PSD		001		AB																																																																



40 CIRCUIT MOTHER BOARD RECOMMENDED PCB LAYOUT

THIS DRAWING CONTAINS INFORMATION THAT IS PROPRIETARY TO MOLEX ELECTRONIC TECHNOLOGIES, LLC AND SHOULD NOT BE USED WITHOUT WRITTEN PERMISSION									
DIMENSION UNITS		SCALE		CURRENT REV DESC: CORRECT DIMENSION					
MM/IN		8:1		<p>molex</p> <p>SALES ASSEMBLY Z AXIS PLUGGABLE PCB CONNECTOR</p> <p>PRODUCT CUSTOMER DRAWING</p> <p>DOCUMENT NUMBER: SD-74441-001 DOC TYPE: PSD DOC PART: 001 REVISION: AB</p> <p>MATERIAL NUMBER: SEE TABLE CUSTOMER: GENERAL MARKET SHEET NUMBER: 5 OF 7</p>					
GENERAL TOLERANCES (UNLESS SPECIFIED)									
	MM	INCH							
4 PLACES	±	±							
3 PLACES	±	± 0.005							
2 PLACES	± 0.13	± 0.01		EC NO: 602779		2018/08/17			
1 PLACE	± 0.25	±		DRWN: RCHEN55		2018/08/24			
0 PLACES	±	±		CHK'D: JKACHLIC		2018/08/24			
ANGULAR TOL ± 0.5°				APPR: JKACHLIC		2018/08/24			
DRAFT WHERE APPLICABLE MUST REMAIN WITHIN DIMENSIONS				THIRD ANGLE PROJECTION		DRAWING		SERIES	
				C-SIZE		74441			

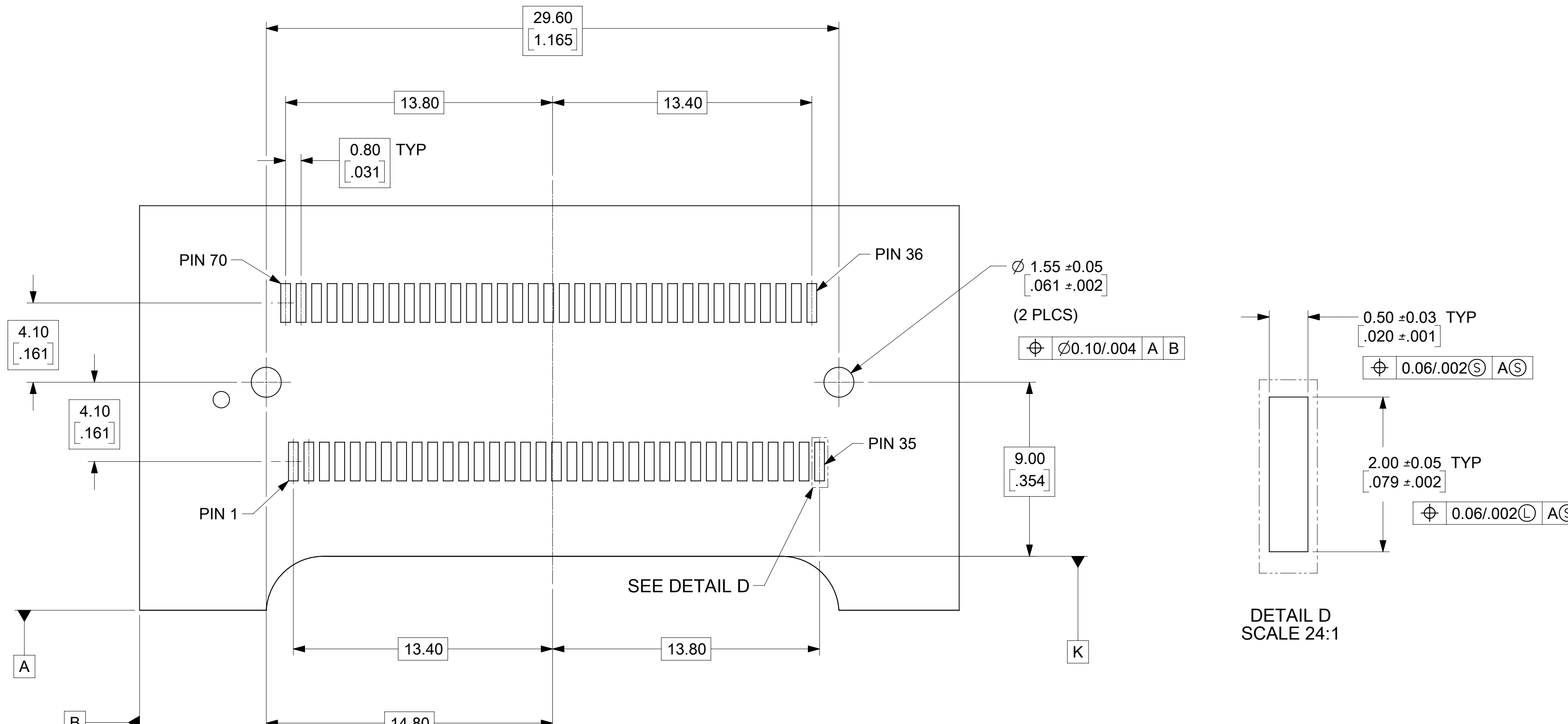


50 CIRCUIT MOTHER BOARD RECOMMENDED PCB LAYOUT

DETAIL H
SCALE 24:1

THIS DRAWING CONTAINS INFORMATION THAT IS PROPRIETARY TO MOLEX ELECTRONIC TECHNOLOGIES, LLC AND SHOULD NOT BE USED WITHOUT WRITTEN PERMISSION

DIMENSION UNITS MM/IN		SCALE 6:1		CURRENT REV DESC: CORRECT DIMENSION										
GENERAL TOLERANCES (UNLESS SPECIFIED)				EC NO: 602779										
		MM	INCH	DRWN: RCHEN55		2018/08/17		SALES ASSEMBLY						
4 PLACES \pm				CHK'D: JKACHLIC		2018/08/24		Z AXIS PLUGGABLE PCB CONNECTOR						
3 PLACES \pm			± 0.005	APPR: JKACHLIC		2018/08/24		PRODUCT CUSTOMER DRAWING						
2 PLACES \pm		0.13	± 0.01	INITIAL REVISION:				DOCUMENT NUMBER						
1 PLACE \pm		0.25	\pm	DRWN: HAVERY				00/04/06		DOC TYPE		DOC PART	REVISION	
0 PLACES \pm			\pm	APPR: MBANAKIS				00/04/06		SD-74441-001		PSD	001	AB
ANGULAR TOL $\pm 0.5^\circ$				THIRD ANGLE PROJECTION		DRAWING		SERIES		MATERIAL NUMBER		CUSTOMER		SHEET NUMBER
DRAFT WHERE APPLICABLE MUST REMAIN WITHIN DIMENSIONS						C-SIZE		74441		SEE TABLE		GENERAL MARKET		6 OF 7



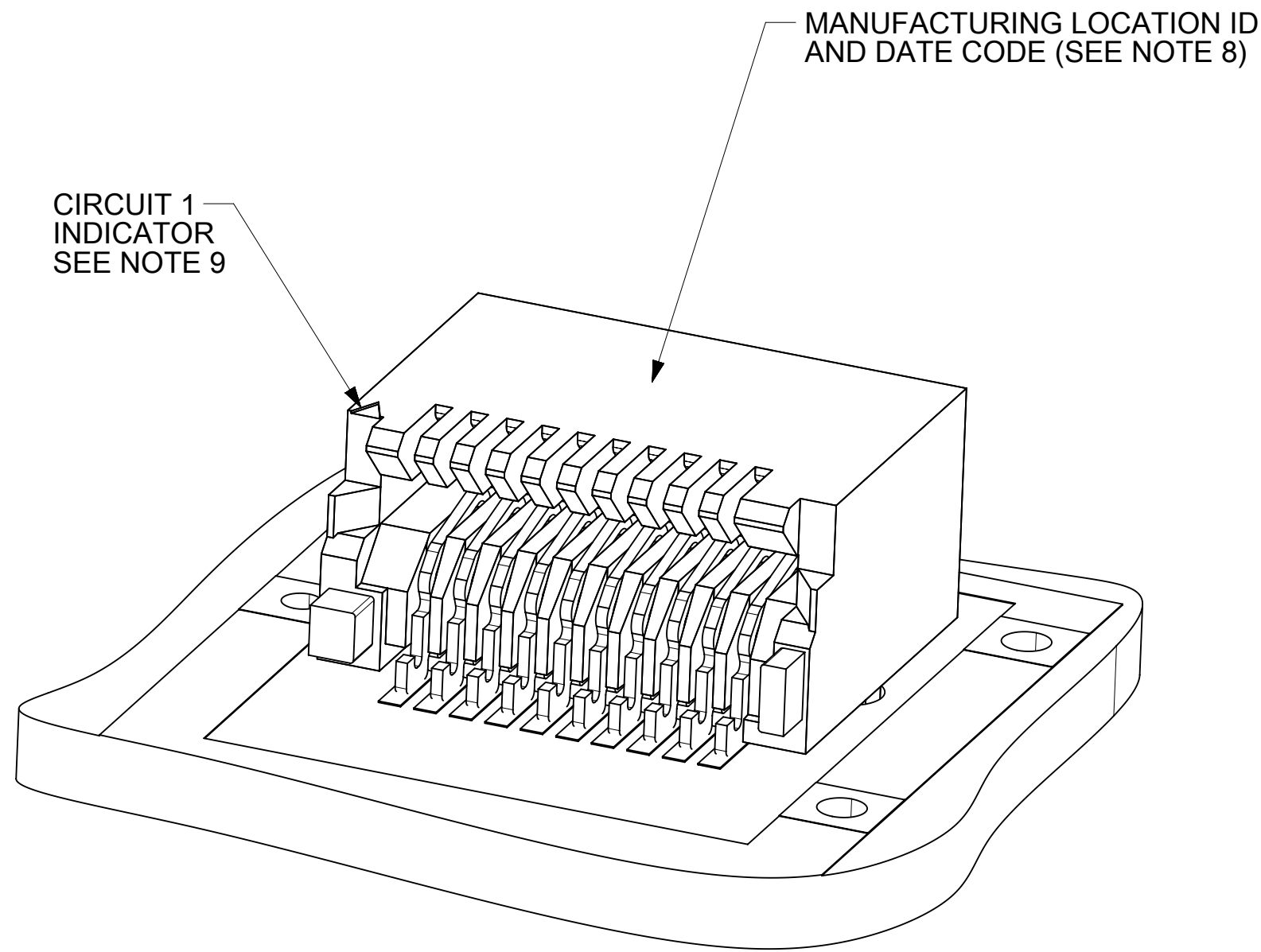
70 CIRCUIT MOTHER BOARD RECOMMENDED PCB LAYOUT

THIS DRAWING CONTAINS INFORMATION THAT IS PROPRIETARY TO MOLEX ELECTRONIC TECHNOLOGIES, LLC AND SHOULD NOT BE USED WITHOUT WRITTEN PERMISSION

DIMENSION UNITS	SCALE	CURRENT REV DESC: CORRECT DIMENSION		<h1 style="margin: 0;">molex</h1>		
MM/IN	6:1					
GENERAL TOLERANCES (UNLESS SPECIFIED)				SALES ASSEMBLY Z AXIS PLUGGABLE PCB CONNECTOR		
				PRODUCT CUSTOMER DRAWING		
				DOCUMENT NUMBER		DOC TYPE
				SD-74441-001		PSD
				DOC PART		001
				REVISION		AB
				MATERIAL NUMBER		CUSTOMER
				SEE TABLE		GENERAL MARKET
				SHEET NUMBER		7 OF 7

DOCUMENT STATUS	P1	RELEASE DATE	2018/08/24	03:47:16
-----------------	----	--------------	------------	----------

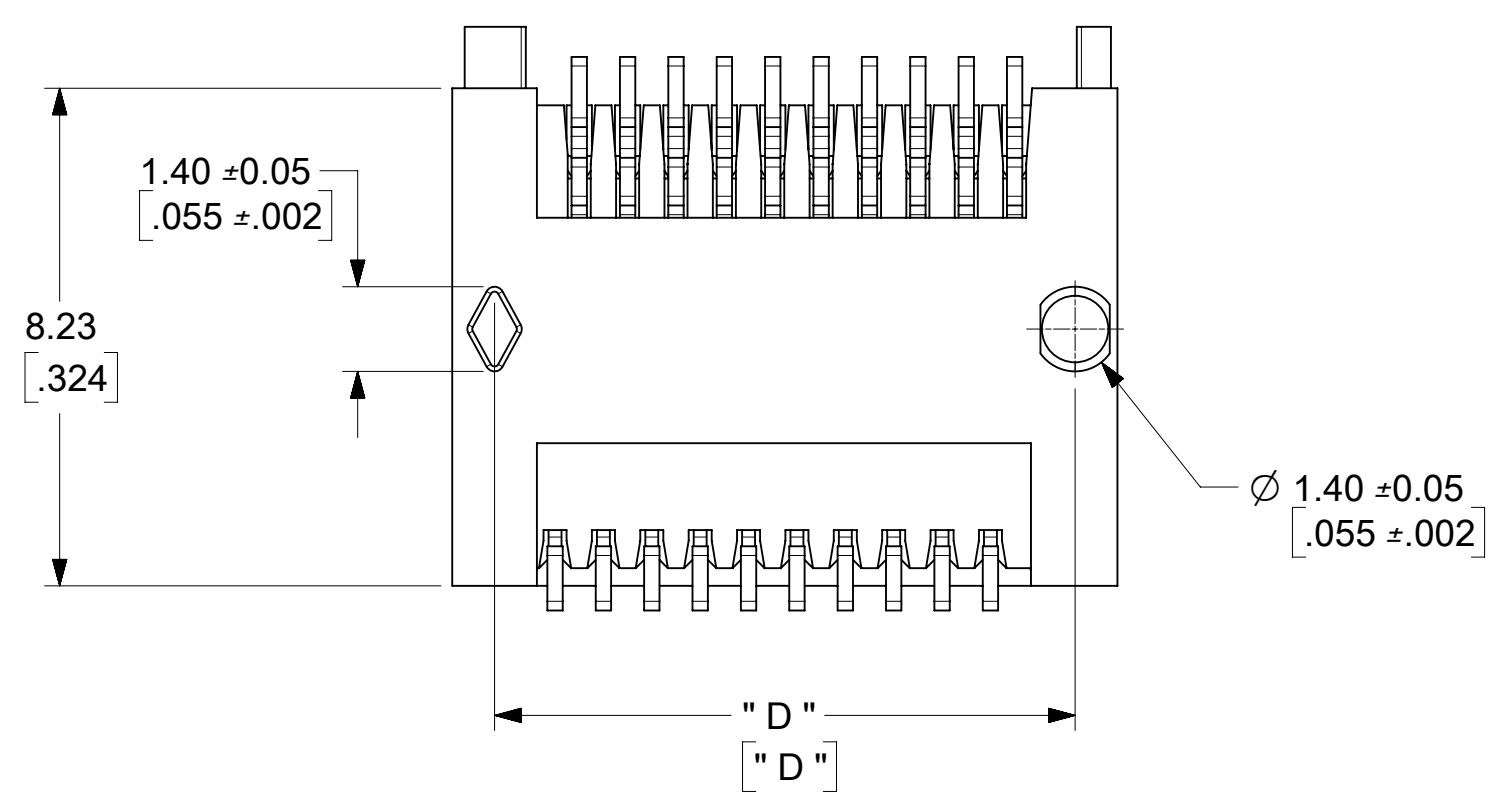
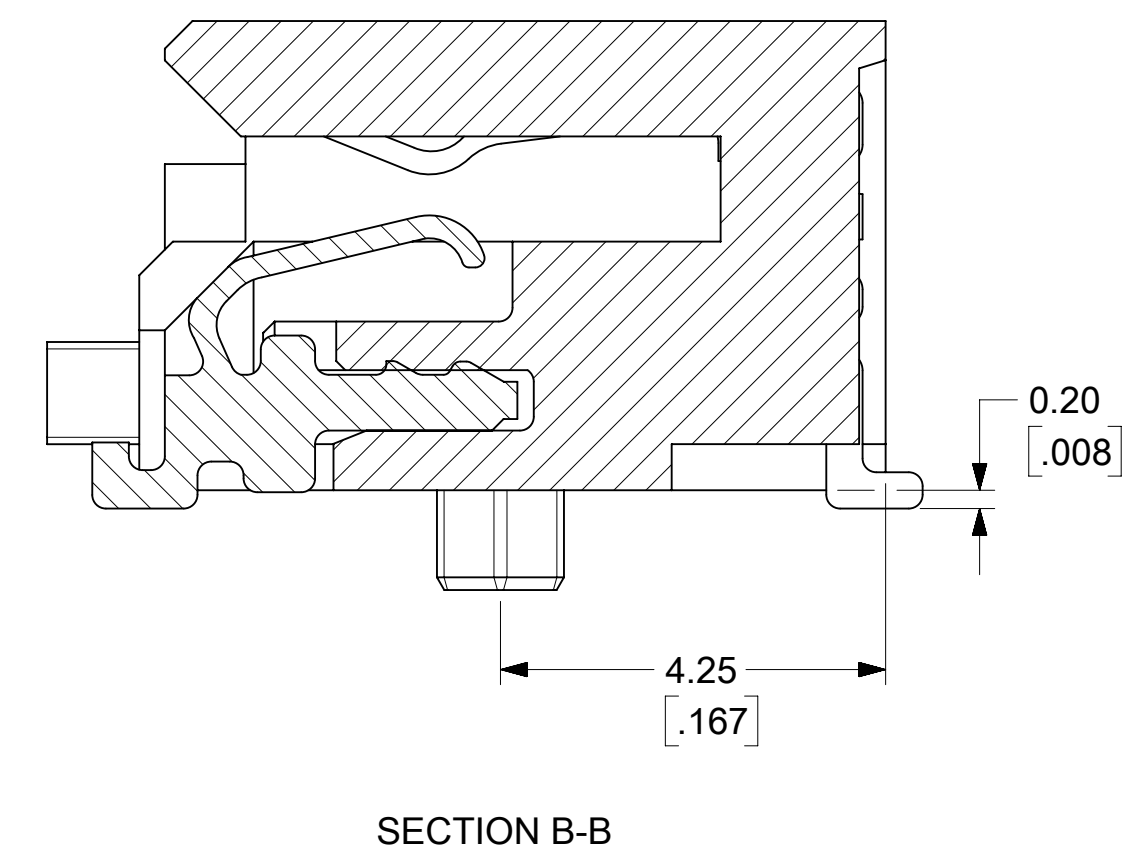
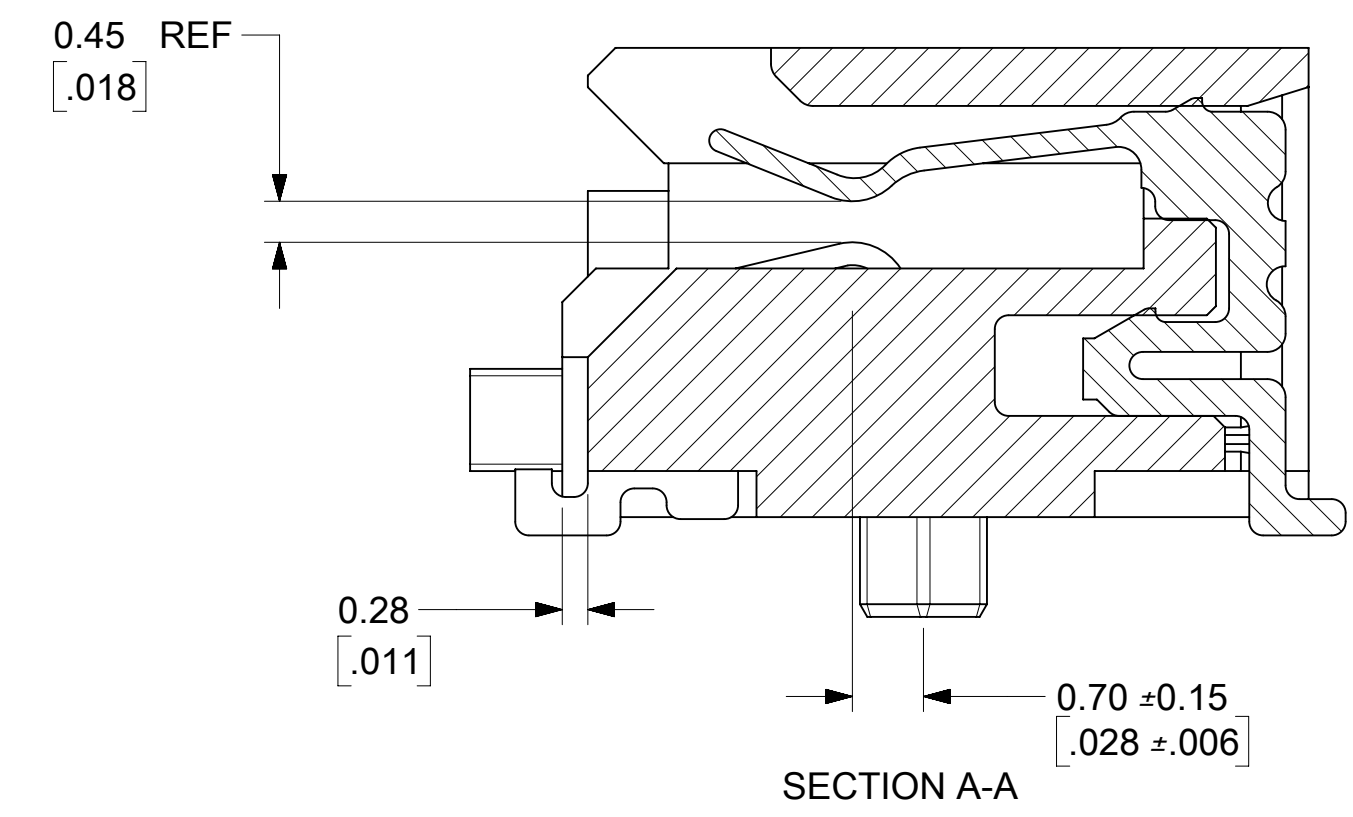
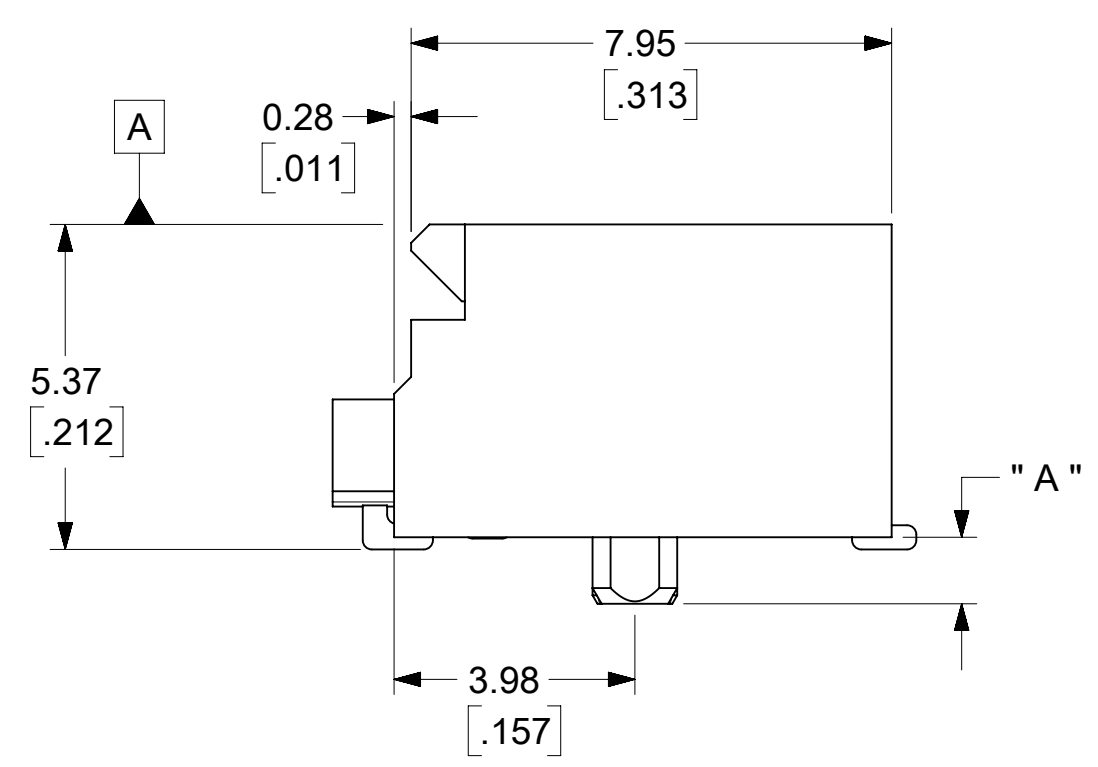
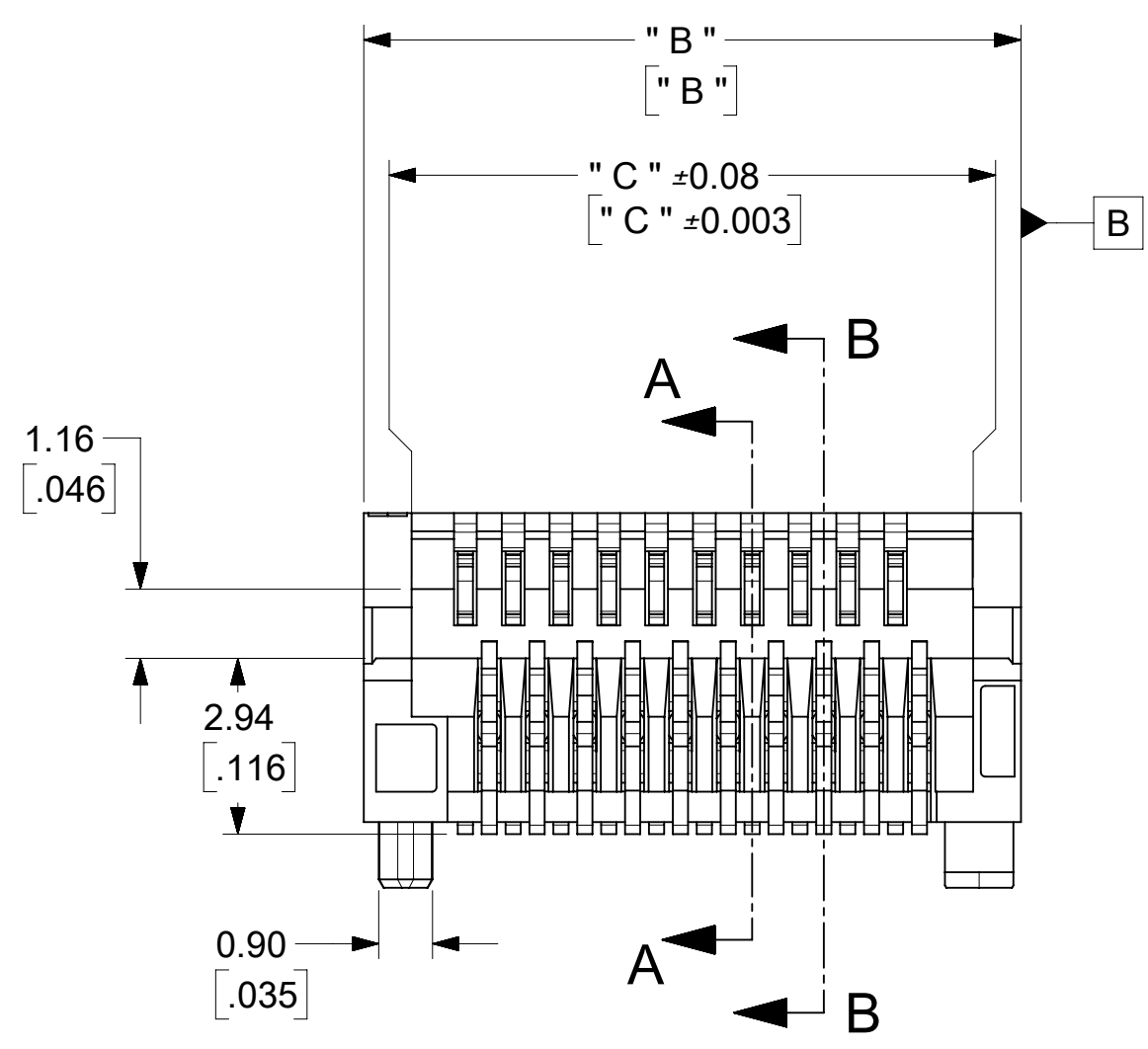
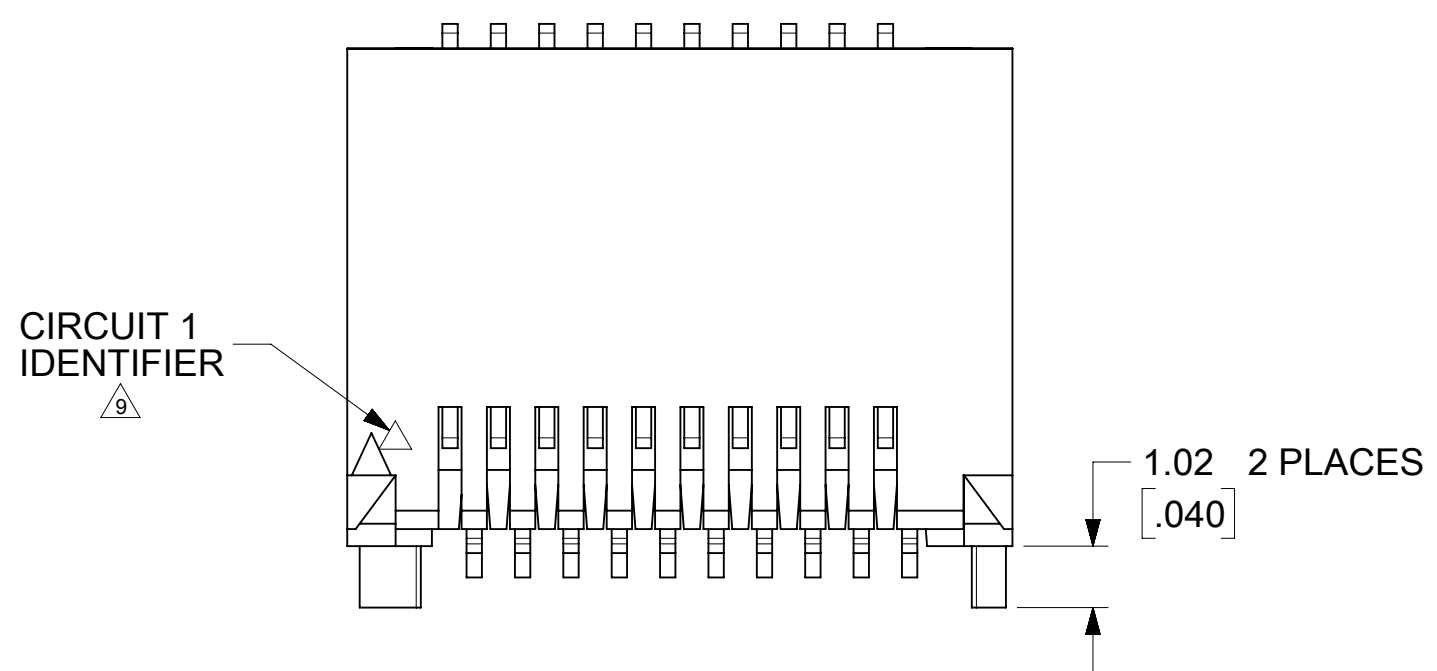
CKT SIZE	PART NUMBER	TOOLED	DESCRIPTION	" A "	" B "	" C "	" D "	MULTI-SOURCE AGREEMENT	CONNECTOR DRAWING	CIRCUIT BOARD DRAWING
20	74441-5001	YES	PLATED PER NOTE 2	1.10/.043	11.00/.433	9.40/.370	9.60/.378	SFP+	PAGE 2	PAGE 3
	74441-5010	YES	PLATED PER NOTE 3	1.10/.043						



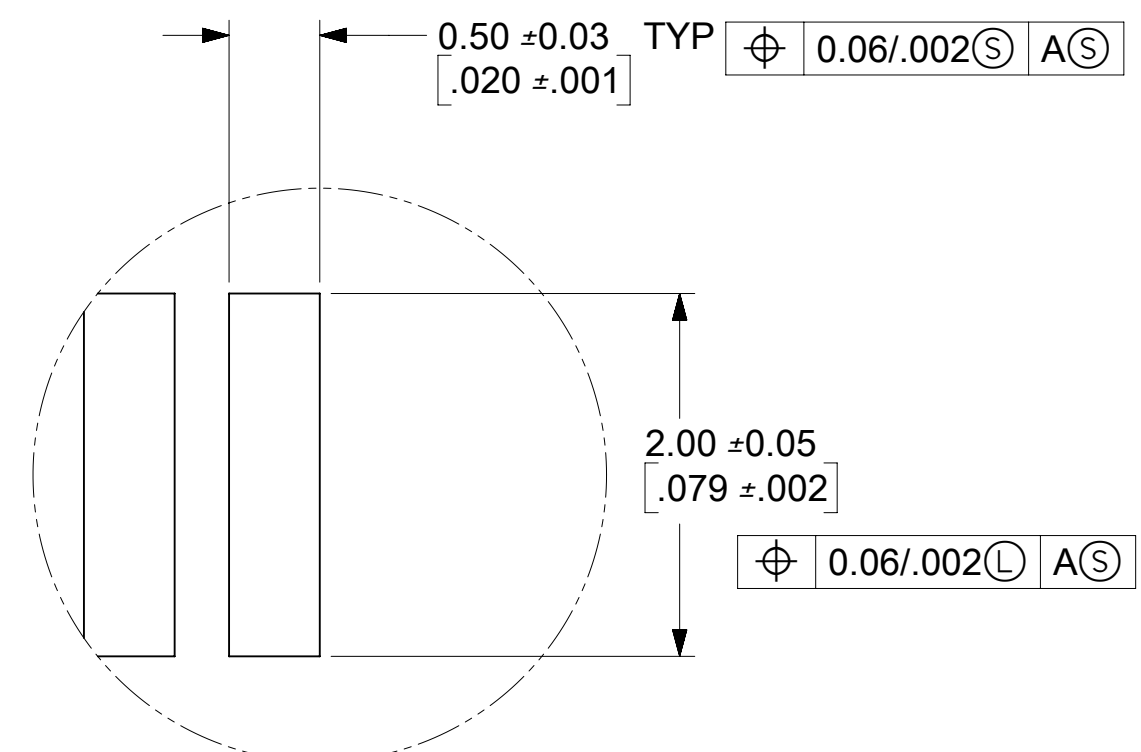
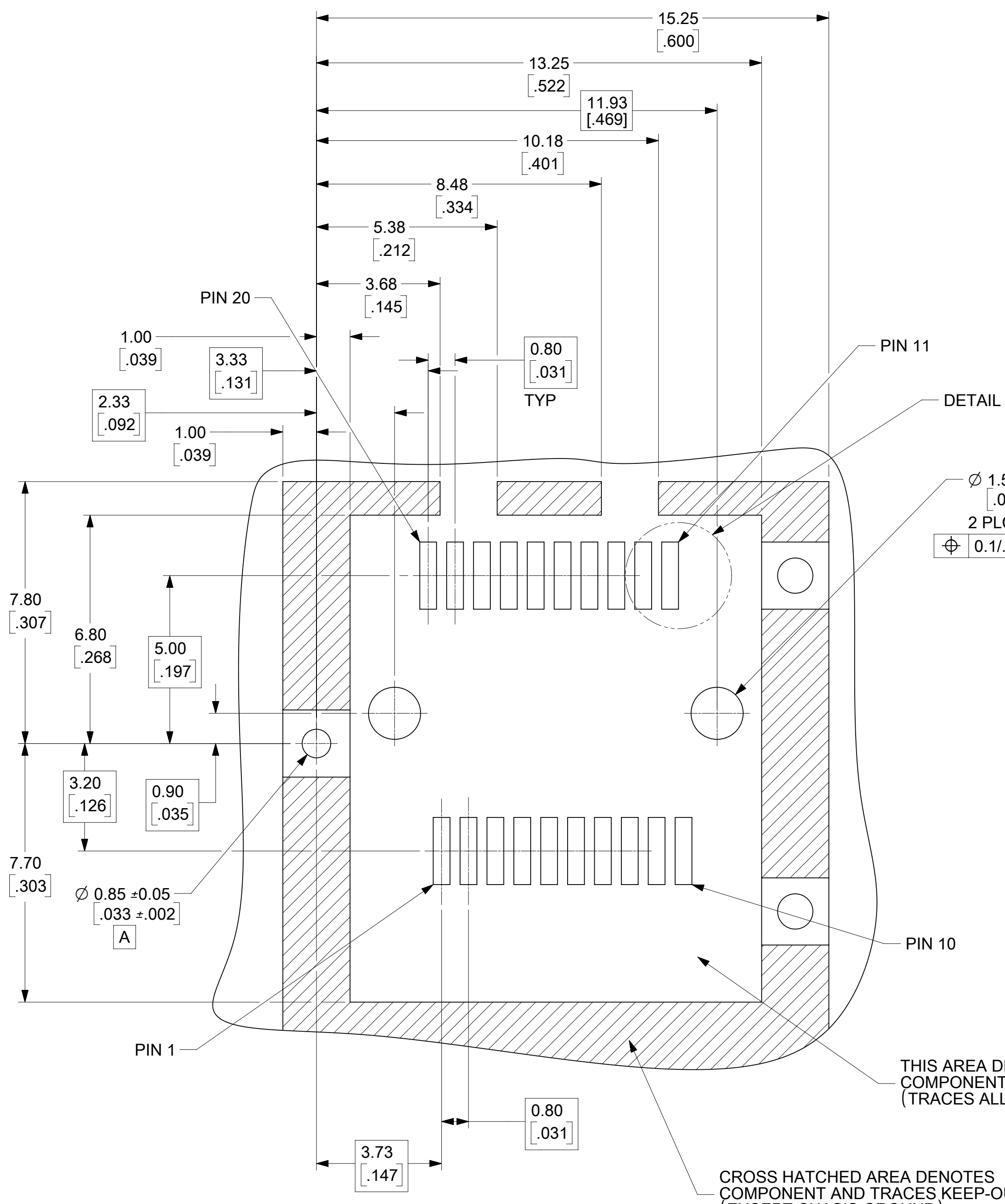
NOTES

- MATERIAL:
HOUSING - HIGH TEMPERATURE THERMOPLASTIC GLASS FILLED, UL 94V-0, BLACK
TERMINALS - COPPER ALLOY
- PLATING:
CONTACT AREA - 0.38 μM MIN GOLD OVER 2.54 μM MIN NICKEL
SOLDER FOOT AREA - 2.54 - 5.09 μM TIN OVER 2.54 μM MIN NICKEL.
- PLATING:
CONTACT AREA - 0.76 μM MIN GOLD OVER 2.54 μM NICKEL
SOLDER AREA - 2.54 - 5.09 μM TIN OVER 2.54 μM MIN NICKEL
- PLATING:
CONTACT AREA - 0.76 μM MIN GOLD OVER 2.54 μM NICKEL; LUBRICATED
SOLDER AREA: GOLD FLASH OVER 2.54 μM MIN NICKEL.
- PLATING:
CONTACT AREA - 0.76 μM MIN GOLD OVER 2.54 μM NICKEL;
SOLDER AREA: GOLD FLASH OVER 2.54 μM MIN NICKEL.
- TERMINAL SOLDER FEET TO BE COPLANAR WITHIN 0.10/.004 FOR 20, 30 AND 40 CIRCUIT CONNECTORS
TERMINAL SOLDER FEET TO BE COPLANAR WITHIN 0.15/.006 FOR 70 CIRCUIT CONNECTOR
- * CONTACT PLANT FOR MORE INFORMATION
- DATE CODE: 4 DIGIT (3 DIGIT DATE, 1 DIGIT YEAR)
- THE CIRCUIT ONE INDICATOR MAY VARY IN SIZE AND APPEARANCE.

SYMBOLS	THIS DRAWING CONTAINS INFORMATION THAT IS PROPRIETARY TO MOLEX ELECTRONIC TECHNOLOGIES, LLC AND SHOULD NOT BE USED WITHOUT WRITTEN PERMISSION											
	DIMENSION UNITS	SCALE		CURRENT REV DESC: MIGRATION						molex		
∇ = 0	MM/IN	1:1										
∇ = 0	GENERAL TOLERANCES (UNLESS SPECIFIED)			EC NO: 602493 DRWN: SUDAYGUNAGI 2018/07/30 CHK'D: JKACHLIC 2018/08/13 APPR: JKACHLIC 2018/08/13						SALES ASSEMBLY SFP PLUS HOST CONNECTOR 20 CIRCUIT		
∇ = 0		MM	INCH									
∇ = 0	4 PLACES	\pm	\pm	INITIAL REVISION: DRWN: BBARKER 2007/01/23 APPR: SMILLER 2007/01/23						PRODUCT CUSTOMER DRAWING		
∇ = 0	3 PLACES	\pm	\pm 0.005									
∇ = 0	2 PLACES	\pm 0.13	\pm 0.01	DOCUMENT NUMBER SD-74441-008						DOC TYPE	DOC PART	REVISION
∇ = 0	1 PLACE	\pm 0.25	\pm							PSD	001	E
∇ = 0	0 PLACES	\pm	\pm	MATERIAL NUMBER SEE TABLE		CUSTOMER GENERAL MARKET		SHEET NUMBER 1 OF 3				
∇ = 0	ANGULAR TOL \pm 0.5 °			THIRD ANGLE PROJECTION		DRAWING	SERIES					
∇ = 0	DRAFT WHERE APPLICABLE MUST REMAIN WITHIN DIMENSIONS					C-SIZE	74441					



THIS DRAWING CONTAINS INFORMATION THAT IS PROPRIETARY TO MOLEX ELECTRONIC TECHNOLOGIES, LLC AND SHOULD NOT BE USED WITHOUT WRITTEN PERMISSION										
SYMBOLS		DIMENSION UNITS		SCALE		CURRENT REV DESC: MIGRATION				
∇ = 0	∇ = 0	MM/IN	6:1			molex SALES ASSEMBLY SFP PLUS HOST CONNECTOR 20 CIRCUIT				
∇ = 0	∇ = 0	GENERAL TOLERANCES (UNLESS SPECIFIED)								
∇ = 0	∇ = 0	MM	INCH			EC NO: 602493 DRWN: SUDAYGUNAGI 2018/07/30 CHK'D: JKACHLIC 2018/08/13 APPR: JKACHLIC 2018/08/13				
∇ = 0	∇ = 0	4 PLACES ±	±			INITIAL REVISION: DRWN: BBARKER 2007/01/23 APPR: SMILLER 2007/01/23				
∇ = 0	∇ = 0	3 PLACES ±	± 0.005			DOCUMENT NUMBER		DOC TYPE	DOC PART	REVISION
∇ = 0	∇ = 0	2 PLACES ±	± 0.13	± 0.01			SD-74441-008	PSD	001	E
∇ = 0	∇ = 0	1 PLACE ±	± 0.25	±			MATERIAL NUMBER		CUSTOMER	
∇ = 0	∇ = 0	0 PLACES ±	±			SEE TABLE		GENERAL MARKET		SHEET NUMBER
∇ = 0	∇ = 0	ANGULAR TOL ± 0.5°					74441		2 OF 3	
∇ = 0	∇ = 0	DRAFT WHERE APPLICABLE MUST REMAIN WITHIN DIMENSIONS					C-SIZE			



20 CIRCUIT MOTHER BOARD
RECOMMENDED PCB LAYOUT

THIS AREA DENOTES
COMPONENT KEEP-OUT
(TRACES ALLOWED)

CROSS HATCHED AREA DENOTES
COMPONENT AND TRACES KEEP-OUT
(EXCEPT CHASIS GROUND)

THIS DRAWING CONTAINS INFORMATION THAT IS PROPRIETARY TO MOLEX ELECTRONIC TECHNOLOGIES, LLC AND SHOULD NOT BE USED WITHOUT WRITTEN PERMISSION											
SYMBOLS		DIMENSION UNITS		SCALE		CURRENT REV DESC: MIGRATION					
∇ = 0	∇ = 0	MM/IN	8:1			EC NO: 602493					
∇ = 0	∇ = 0	GENERAL TOLERANCES (UNLESS SPECIFIED)				DRWN: SUDAYGUNAGI		2018/07/30			
∇ = 0	∇ = 0		MM	INCH		CHK'D: JKACHLIC		2018/08/13			
∇ = 0	∇ = 0	4 PLACES ±				APPR: JKACHLIC		2018/08/13			
∇ = 0	∇ = 0	3 PLACES ±			0.005	INITIAL REVISION:					
∇ = 0	∇ = 0	2 PLACES ±	0.13		0.01	DRWN: BBARKER		2007/01/23			
∇ = 0	∇ = 0	1 PLACE ±	0.25			APPR: SMILLER		2007/01/23			
∇ = 0	∇ = 0	0 PLACES ±				ANGULAR TOL ± 0.5°		THIRD ANGLE PROJECTION		DRAWING SERIES	
∇ = 0	∇ = 0	DRAFT WHERE APPLICABLE MUST REMAIN WITHIN DIMENSIONS				C-SIZE		74441		MATERIAL NUMBER	
						SEE TABLE		GENERAL MARKET		SHEET NUMBER	
										3 OF 3	



SALES ASSEMBLY
SFP PLUS HOST CONNECTOR 20 CIRCUIT

PRODUCT CUSTOMER DRAWING

DOCUMENT NUMBER	DOC TYPE	DOC PART	REVISION
SD-74441-008	PSD	001	E

MATERIAL NUMBER	CUSTOMER	SHEET NUMBER
SEE TABLE	GENERAL MARKET	3 OF 3