

MICRO SWITCH
 FREEPORT ILLINOIS, U.S.A.
 A DIVISION OF HONEYWELL
 FED. MFG. CODE 91929

SWITCH-TOGGLE

CATALOG LISTING
112TW1 SERIES
CHART 1

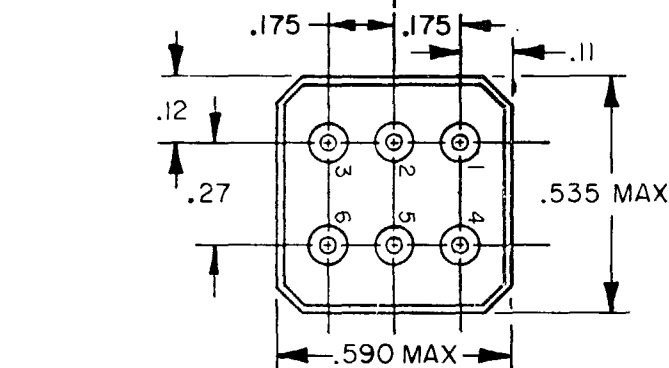
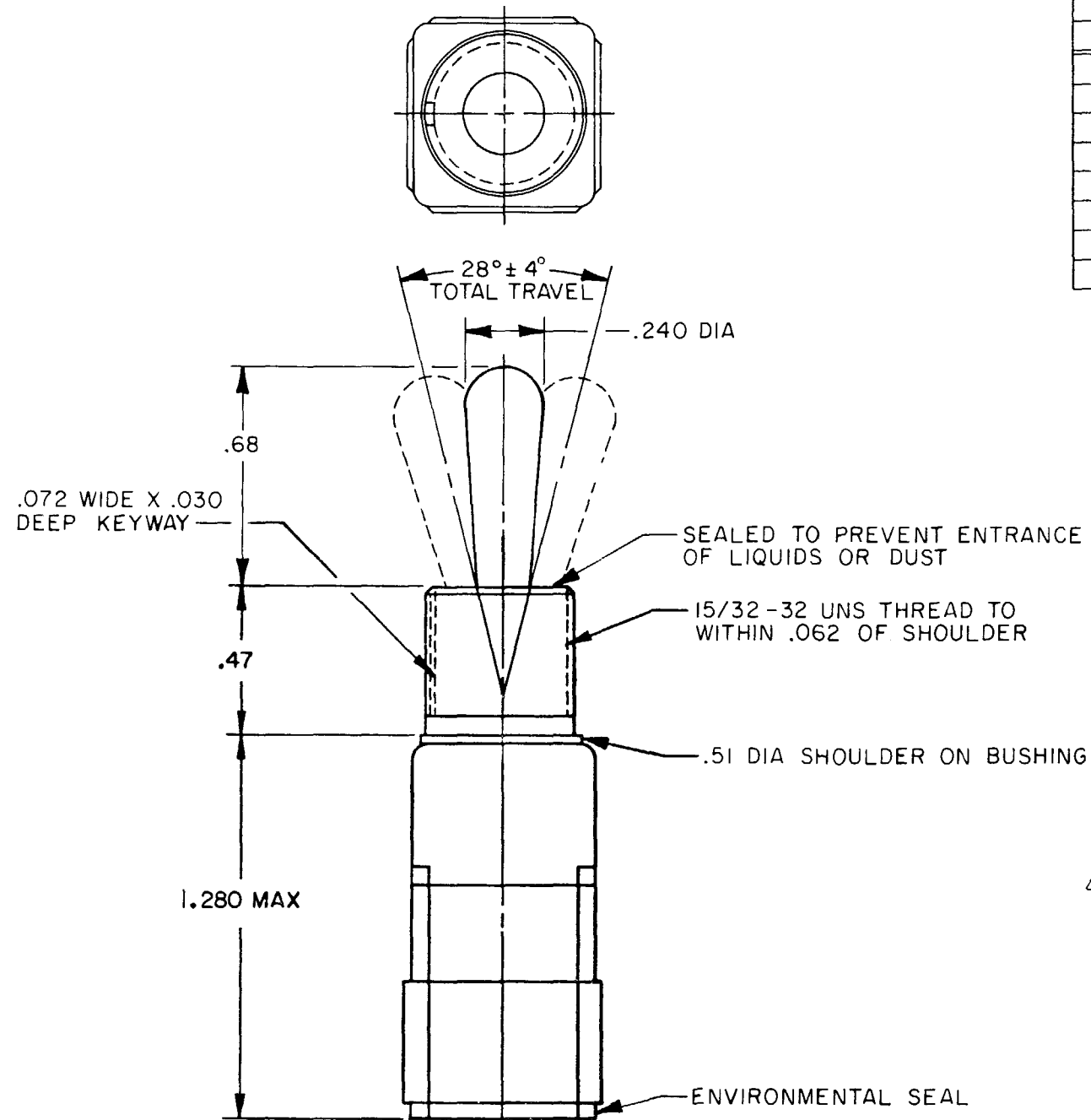
CATALOG LISTING

KEYWAY SIDE	CIRCUIT MADE WITH TOGGLE LEVER IN		OPPOSITE KEYWAY
	2-1 5-4	1-2 4-5	
	ON	OFF	ON
	OFF	NONE	ON
	ON	NONE	ON
(H)	NONE	OFF	ON
(G)	NONE	ON	ON
	MOM OFF	NONE	ON
	MOM ON	OFF	ON
	MOM ON	NONE	OFF
	MOM ON	OFF	MOM ON
	MOM ON	NONE	ON
	NONE	MOM OFF	ON
	NONE	ON	MOM ON
	MOM ON	OFF	NONE

ELECTRICAL DATA

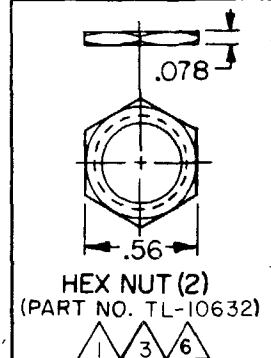
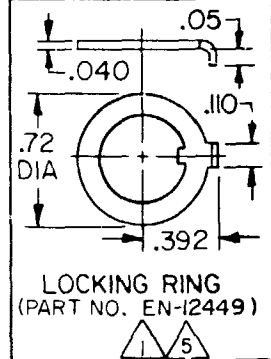
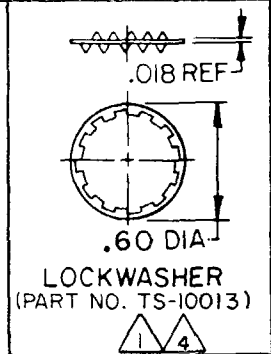
28 VDC & 125 VAC
 5 AMP RES
 2 AMP IND
 1 AMP LAMP

THIS DRAWING COVERS A PROPRIETARY ITEM AND IS THE PROPERTY OF MICRO SWITCH, A DIVISION OF HONEYWELL. THIS DRAWING IS NOT TO BE COPIED OR USED WITHOUT THE APPROVAL OF MICRO SWITCH.



NOTES

- 1 FURNISHED UNASSEMBLED
- 2 TERMINATION WILL ACCEPT CRIMP CONTACT CONFORMING TO M39029/1-101
- 3 MS 35333-136 OR EQUIVALENT
- 4 MS 25081-C4 OR EQUIVALENT
- 5 MS 25082-8 GR EQUIVALENT



CATALOG LISTING
112TW1 SERIES CHART 1
 PAGE 1 OF 1
 ISSUE 21
 CMH 29SEP09
 REVISIONS:
 G CO-93153 JJA 5 MAY 99
 H CO-195308 CSL 9 NOV 99
 J 0041121 KVS 03JUL08
 K 0057112 VKR 29SEP09
 CHECKED BY: ASD 03JUL08
 DRAWN BY: ASD 03JUL08
 DATE: 30 APRIL 79
 RASTER FO-52851-A
 DRAWN

SCALE -
 DO NOT SCALE PRINT
 UNLESS OTHERWISE NOTED
 DIMENSIONS ARE IN INCHES
TOLERANCES ARE:
 ONE PLACE (.0) ± .030
 TWO PLACE (.00) ± .015
 THREE PLACE (.000) ± .005
 ANGLES ± .1°
 WEIGHT