

MICRO SWITCH
 FREEPORT, ILLINOIS, U.S.A.
 A DIVISION OF HONEYWELL
 FED. MFG. CODE 91929

SWITCH - TOGGLE

CATALOG LISTING
12TWI-70 SERIES
CHART 1 ★

THIS DRAWING COVERS A PROPRIETARY ITEM AND IS THE PROPERTY OF MICRO SWITCH, A DIVISION OF MINNEAPOLIS-HONEYWELL REGULATOR CO. THIS DRAWING IS NOT TO BE COPIED OR USED WITHOUT THE APPROVAL OF MICRO SWITCH.

CAT. LIST.	AVAILABLE LOCKING COMBINATIONS FOR CONFIGURATION SEE LETTERED DETAILS	STYLE NO.	ELECTRICAL DATA		MS NUMBER
			-L117-	5A-125 VAC 	
12TWI-70		1			MS27753-40
12TWI-70	E L N	2			MS27754-40 ⁴

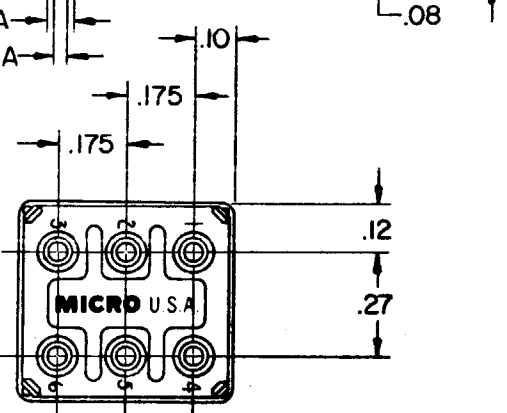
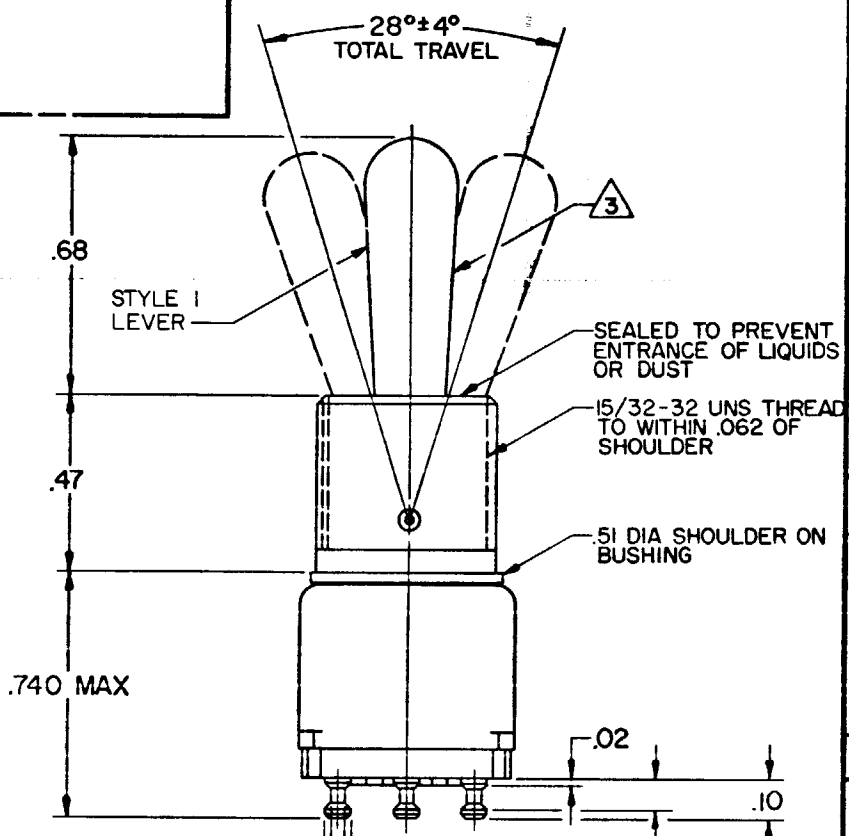
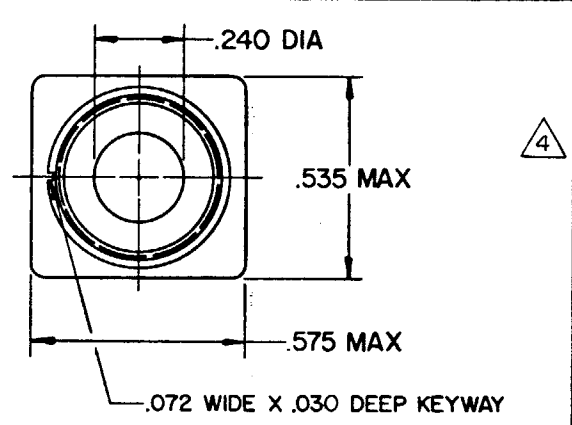
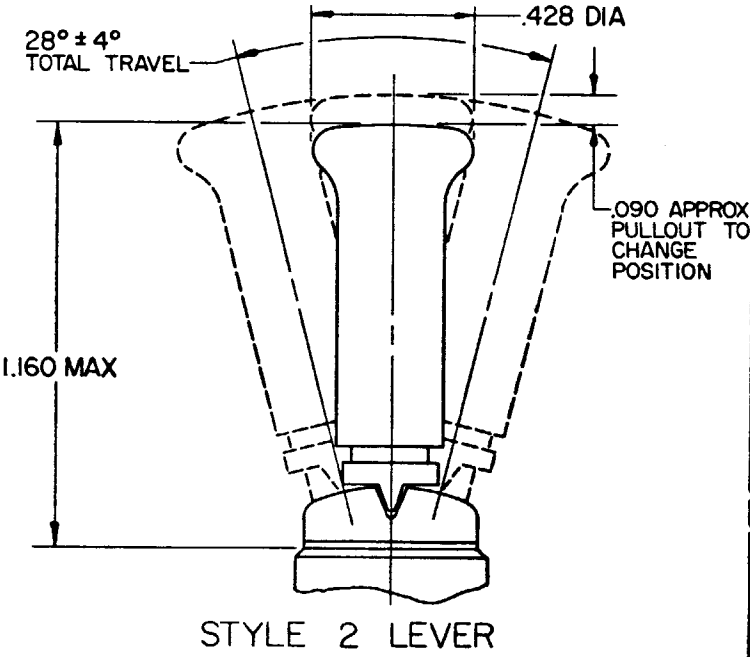
M12TWI-70 SERIES
CHART 1
 DRAWING NUMBER
 ISSUE

REPLACES
 RELEASE NO. CO-30386

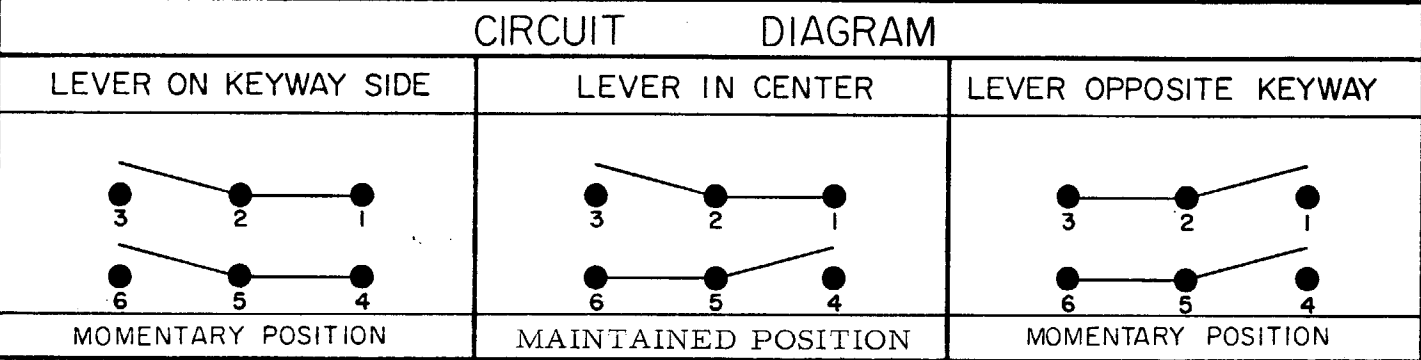
REVISIONS

A	CORR	
4	R E R	APR 73
B	C050565	
16	CJH	DEC 81
C	C056672	
4	J A S	FEB 85
D	C058417	
6	K E W	DEC 85
E	C061252	
16	J A P	MAR 87
F	C062939	
24	T S R	FEB 88

DRAWN
 M J B 12 APR 72
 CHECK
 L S D
 APR 72



"A" LOCKED IN THREE POSITIONS	"B" LOCKED IN CENTER AND EXTREME POSITION (KEYWAY SIDE)	"D" LOCKED OUT OF CENTER POSITION	"E" LOCKED IN CENTER POSITION	"F" LOCKED IN EXTREME POSITION (OPPOSITE KEYWAY)	"G" LOCKED IN EXTREME POSITION (KEYWAY SIDE)
"H" LOCKED OUT OF CENTER AND EXTREME POSITION (KEYWAY SIDE)	"J" LOCKED OUT OF CENTER AND EXTREME POSITION (OPPOSITE KEYWAY)	"K" LOCKED IN CENTER AND EXTREME POSITION (OPPOSITE KEYWAY)	"L" LOCKED OUT OF EXTREME POSITION (KEYWAY SIDE)	"M" LOCKED OUT OF AND INTO EXTREME POSITION (OPPOSITE KEYWAY)	"N" LOCKED OUT OF EXTREME POSITION (OPPOSITE KEYWAY)
"P" LOCKED OUT OF AND INTO EXTREME POSITION (KEYWAY SIDE)	 .47 DIA .018 REF .60 DIA LOCKWASHER (PART NO. TS-10013) ¹		 DIMENSIONS TO FIT KEYWAY IN BUSHING .05 .110 .392 .040 .72 DIA LOCKING RING (PART NO. EN-12449) ¹		 15/32-32 UNS-2 THREAD .078 .56 HEX NUT (2) (PART NO. TL-10632) ^{1 3}



- NOTES**
- ¹ FURNISHED UNASSEMBLED
 - ² - TERMINALS ARE PLATED FOR SOLDERING
 - ³ MATTE FINISH
 - ⁴ SUFFIX LETTER MUST BE ADDED FOR DESIRED TYPE TOGGLE LOCKING. SEE CHART FOR AVAILABLE LOCKING COMBINATIONS.

SCALE 2 TO 1
 DO NOT SCALE PRINT
 UNLESS OTHERWISE NOTED
 DIMENSIONS ARE IN INCHES
TOLERANCES ARE:

ONE PLACE	(.0)	±.030
TWO PLACE	(.00)	±.015
THREE PLACE	(.000)	±.005
ANGLES		

WEIGHT