

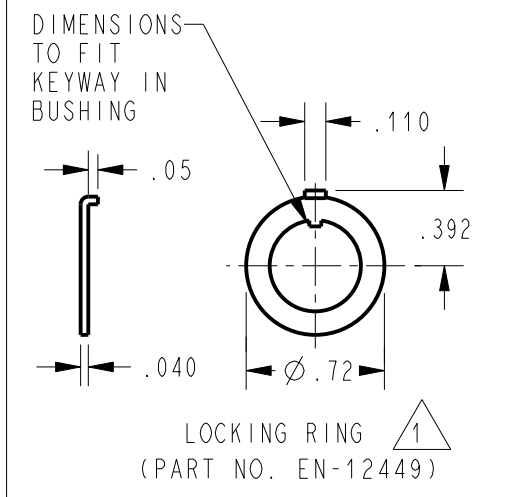
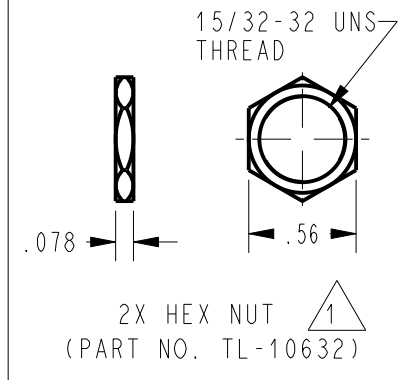
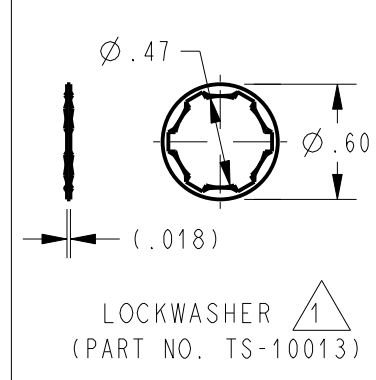
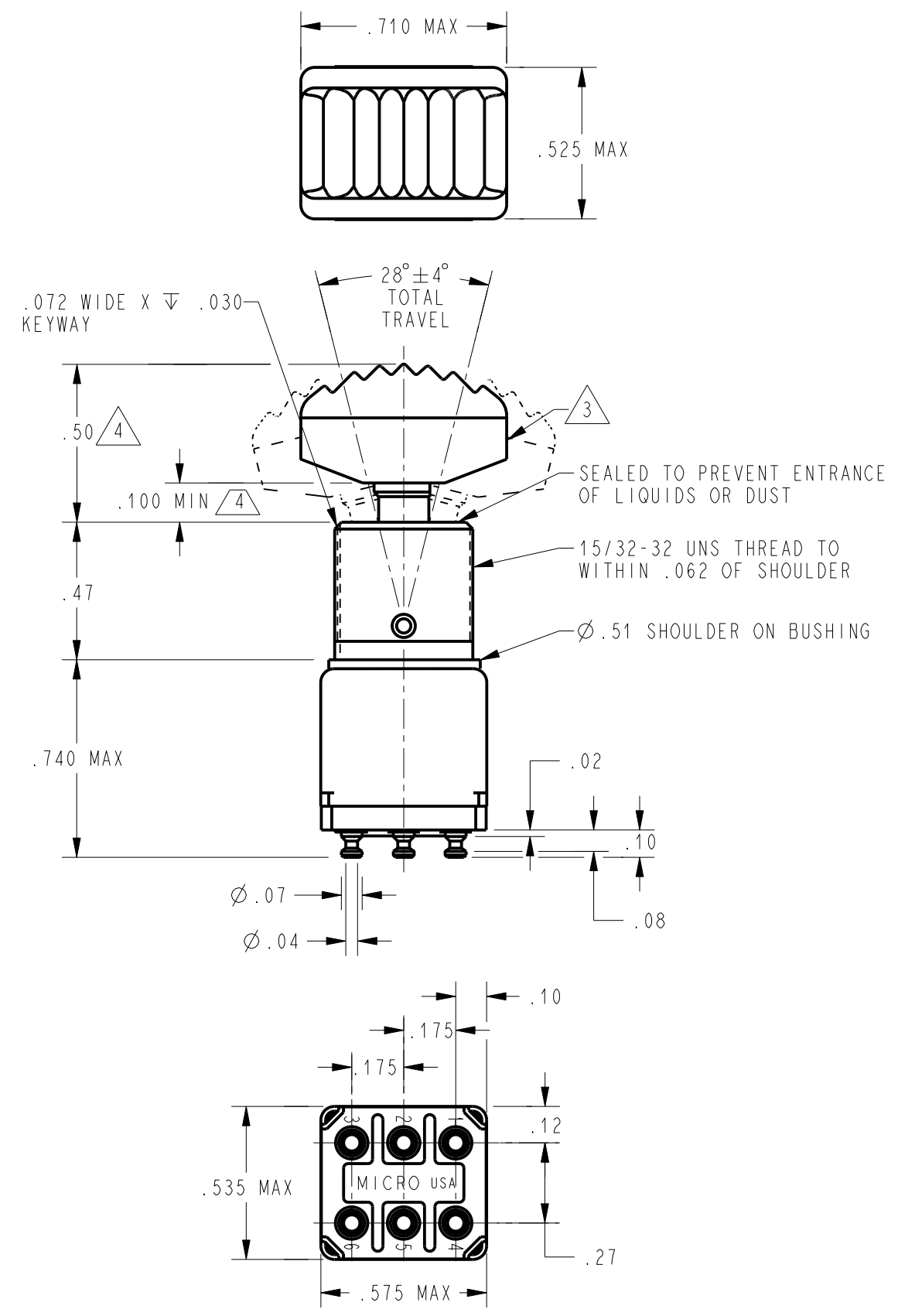
MICRO SWITCH
a Honeywell Division
FED. MFG. CODE 91929

SWITCH-TOGGLE

12TW29 SERIES CHART 1

CATALOG LISTING

THIS DRAWING COVERS A PROPRIETARY ITEM AND IS THE PROPERTY OF MICRO SWITCH. A DIVISION OF HONEYWELL. THIS DRAWING IS NOT TO BE COPIED OR USED WITHOUT THE APPROVAL OF MICRO SWITCH



CATALOG LISTING	ONE EXTREME POSITION (KEYWAY) 2-1 5-4	CENTER POSITION	OTHER EXTREME POSITION (OPPOSITE KEYWAY) 2-3 5-6
12TW29-1	ON	OFF	ON
12TW29-2	OFF	NONE	ON
12TW29-3	ON	NONE	ON
12TW29-7	MOM ON	OFF	MOM ON
12TW29-8	MOM ON	NONE	ON

L117 5A 125 VAC

- NOTES
- 1 FURNISHED UNASSEMBLED
 - 2 - TERMINALS ARE PLATED FOR SOLDERING
 - 3 DULL BLACK FINISHED
 - 4 DIMENSIONS APPLY AFTER MOUNTING. TORQUE SET SCREW 8-9 IN-LBS

THIRD ANGLE PROJECTION

SCALE 2 : 1

DO NOT SCALE PRINT

UNLESS OTHERWISE SPECIFIED TOLERANCES ARE

ONE PLACE	(.0)	±.030
TWO PLACE	(.00)	±.015
THREE PLACE	(.000)	±.005
ANGLES		±

WEIGHT .032 LB MAX