

MICRO SWITCH

FREEPORT ILLINOIS, U.S.A
A DIVISION OF HONEYWELL INC.
FED. MFG. CODE 91929

SWITCH-BASIC

1TB25-17

1TB25-17

M

DRAWING NUMBER

ISSUE 3

CHECK

REVISIONS

A C067830

WLS 28 JUN 90

B C071275

CSL 12 OCT 91

CHECK

12 APR 90

D.C.S

CHECK

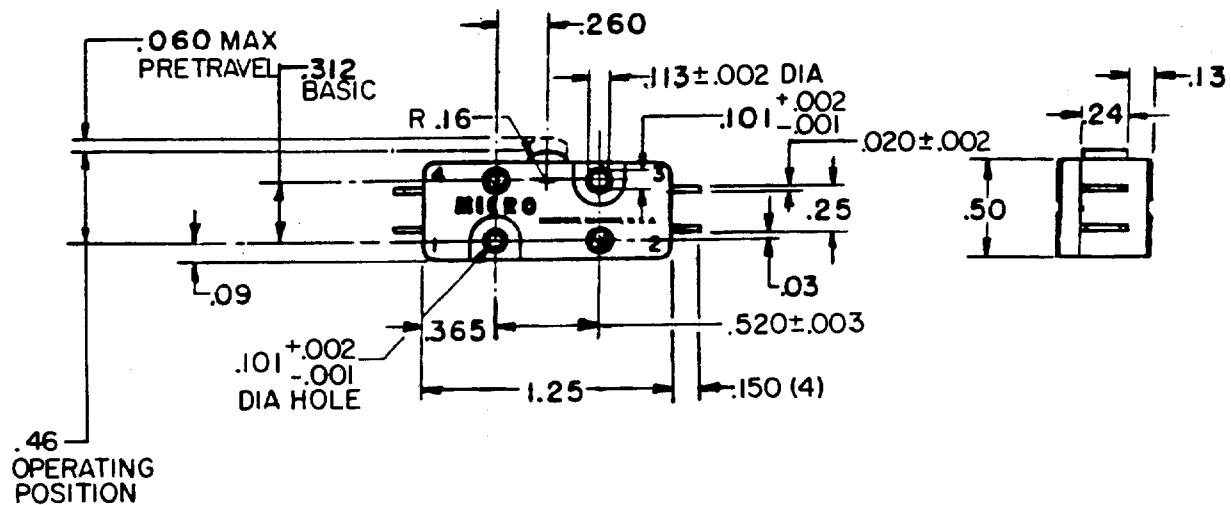
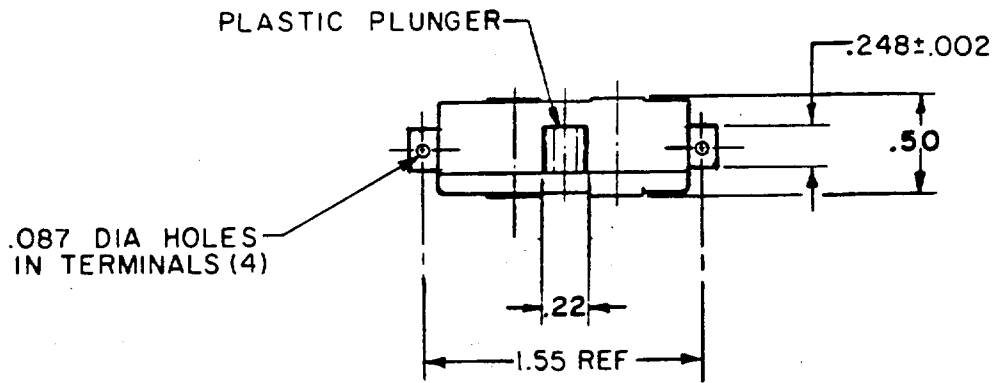
10 APR 90

DRAWN

FO-52848-B

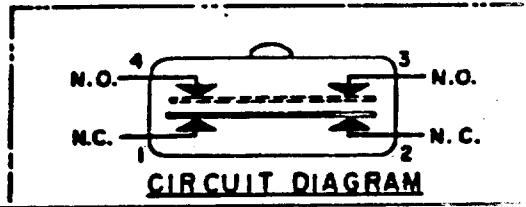
REPLACES X92337-TB

RELEASE NO. PR-18107-T



NOTES

- 1 - TERMINALS 1 & 2 NORMALLY CLOSED CIRCUIT
- 2 - TERMINALS 3 & 4 NORMALLY OPEN CIRCUIT
- 3 - SOLDER PLATED TERMINALS
- 4 - EPOXY APPLIED COMPLETELY AROUND ALL TERMINALS



THIS DRAWING COVERS A PROPRIETARY ITEM AND IS THE PROPERTY OF MICRO SWITCH, A DIVISION OF HONEYWELL. THIS DRAWING IS NOT TO BE COPIED OR USED WITHOUT THE APPROVAL OF MICRO SWITCH.

THIRD ANGLE PROJECTION

CHARACTERISTICS	ELECTRICAL DATA	SCALE FULL	DO NOT SCALE PRINT
OPERATING FORCE — — — 7-13 OZ	CONTACT ARRANGEMENT SEE CIRCUIT DIAGRAM	UNLESS OTHERWISE SPECIFIED TOLERANCES ARE ONE PLACE (.0) ± .030 TWO PLACE (.00) ± .015 THREE PLACE (.000) ± .005 ANGLES ±	
RELEASE FORCE — — — 4 OZ MIN	L25		
DIFFERENTIAL TRAVEL — .010-.025	10A 125 OR 250 VAC		
OVERTRAVEL — — — .020 MIN	1/2 HP 125 VAC 		
		WEIGHT	