

1TW1 SERIES  
CHART 1

M

DRAWING NUMBER

1814

ISSUE

1816

CHECK

REVISIONS

A C057003  
TSK  
3 FEB 86

B C059236  
JAP  
27 MAR 86

C C062939  
TSK  
24 FEB 88

D C077554  
MAM  
9 FEB 94

CHECK

6 FEB 86

6 FEB 86

6 FEB 86

6 FEB 86

6 FEB 86

6 FEB 86

6 FEB 86

6 FEB 86

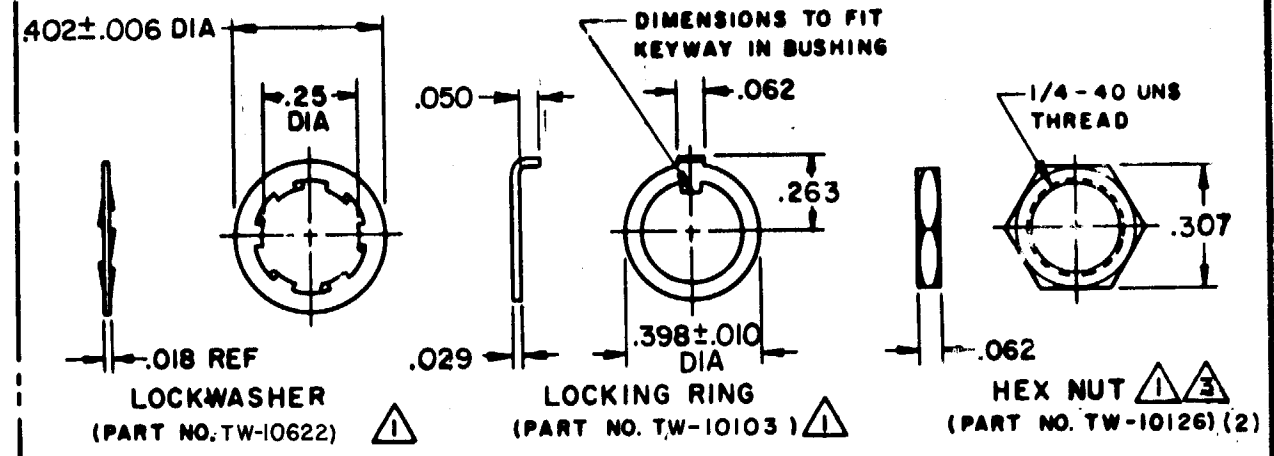
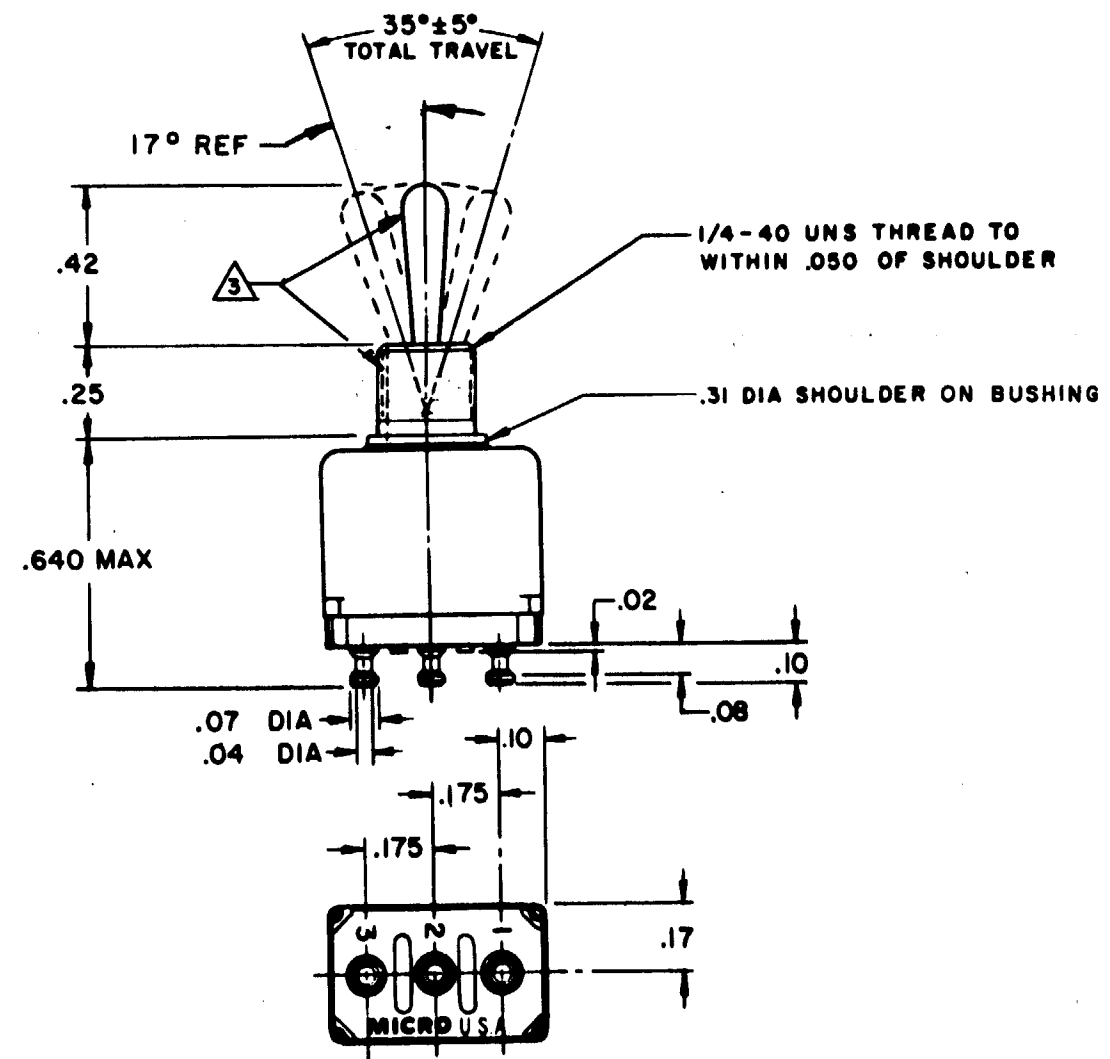
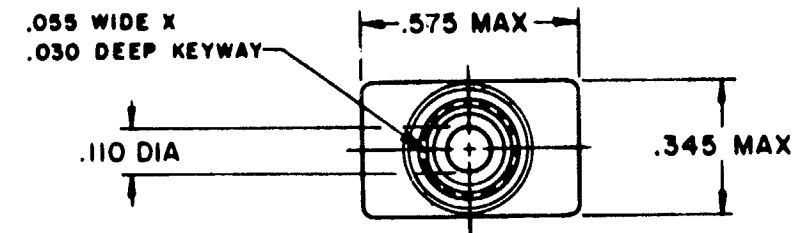
6 FEB 86

6 FEB 86

**MICRO SWITCH**  
FREEPORT, ILLINOIS, U.S.A.  
A DIVISION OF HONEYWELL  
FED. MFG. CODE 91929

SWITCH-TOGGLE

CATALOG LISTING  
1TW1 SERIES  
CHART 1 ★



CIRCUIT WITH TOGGLE IN

CATALOG LISTING	ONE EXTREME POSITION (KEYWAY) 2-1	CENTER POSITION	OTHER EXTREME POSITION (OPPOSITE KEYWAY)	
			2-3	MS NO.
ITWI-1	ON	OFF	ON	MS27716-21-1
ITWI-2	OFF	NONE	ON	MS27716-22-1
★ ITWI-3	ON	NONE	ON	MS27716-23-1
ITWI-5	MOM ON	OFF	ON	MS27716-31-1
★ ITWI-7	MOM ON	OFF	MOM ON	MS27716-27-1
ITWI-8	MOM ON	NONE	ON	MS27716-26-1
ITWI-82	ON	NONE	MOM ON	

NOTES  
 1 FURNISHED UNASSEMBLED  
 2 - TERMINALS ARE PLATED FOR SOLDERING  
 3 MATTE FINISH

THIS DRAWING COVERS A PROPRIETARY ITEM AND IS THE PROPERTY OF MICRO SWITCH, A DIVISION OF HONEYWELL. THIS DRAWING IS NOT TO BE COPIED OR USED WITHOUT THE APPROVAL OF MICRO SWITCH.

CHARACTERISTICS	ELECTRICAL DATA
	CONTACT ARRANGEMENT
	L117
	5A 125 VAC
	Ⓜ Ⓢ Ⓟ

SCALE 2:1

DO NOT SCALE PRINT

TOLERANCES  
 APPLY TO DESIGN UNITS. CONVERSIONS ARE ONLY FOR REFERENCE. UNLESS NOTED, TOLERANCES ARE ±

DIM.	TOL.	DIM.	TOL.
mm	mm/in	in	mm/in
NO PLACES	X	1/04	X X
ONE PLACE	X,X	0.4/016	X X X
TWO PLACES	X,XX	0.15/006	X X X X
THREE PLACES	X,XXX		X X X X X

DESIGN UNITS SI METRIC  US CUSTOMARY

THIRD ANGLE PROJECTION

WEIGHT .015 LB MAX