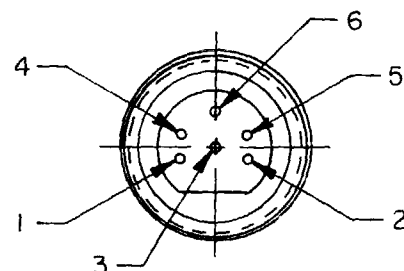
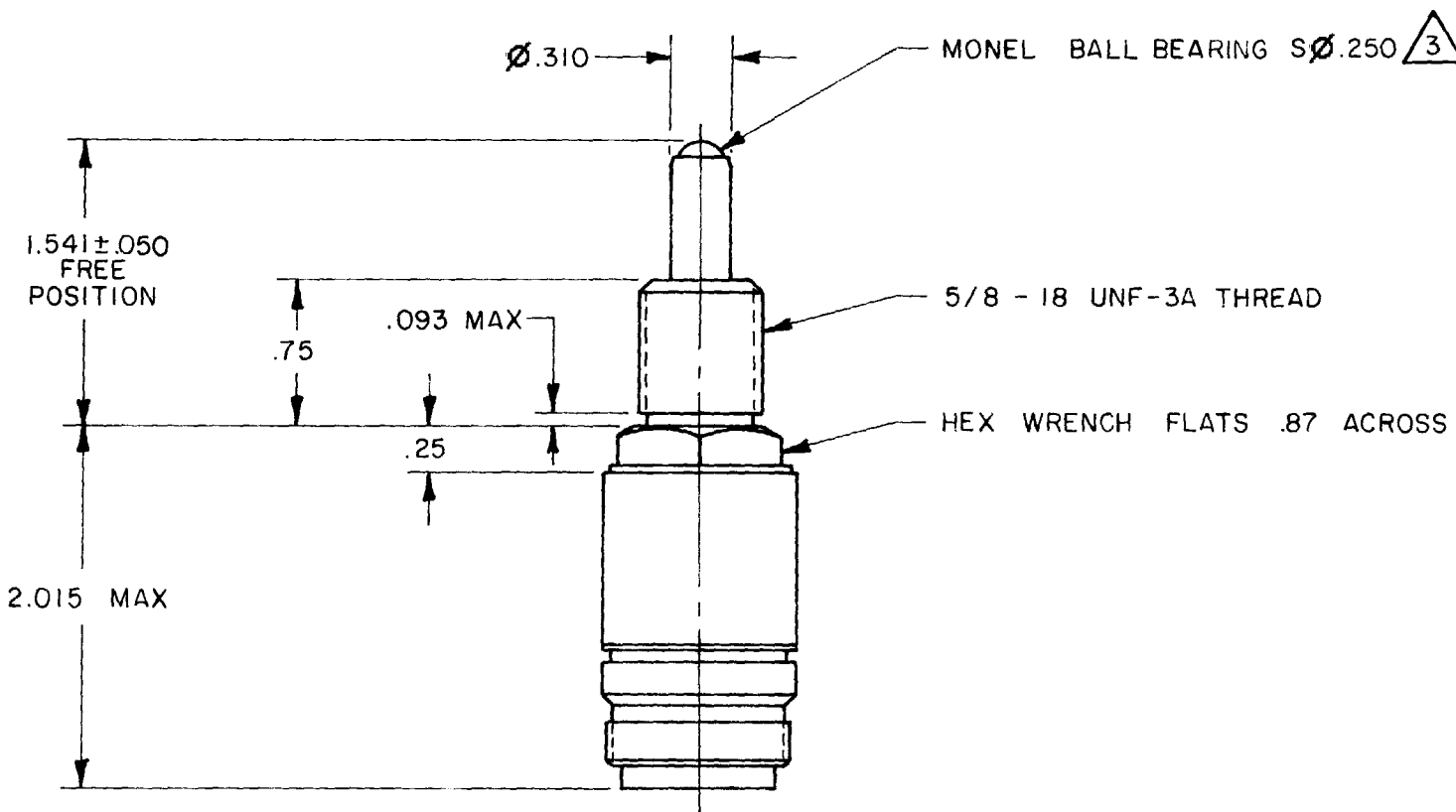
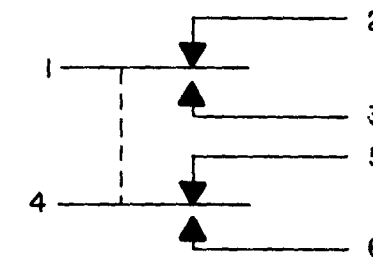
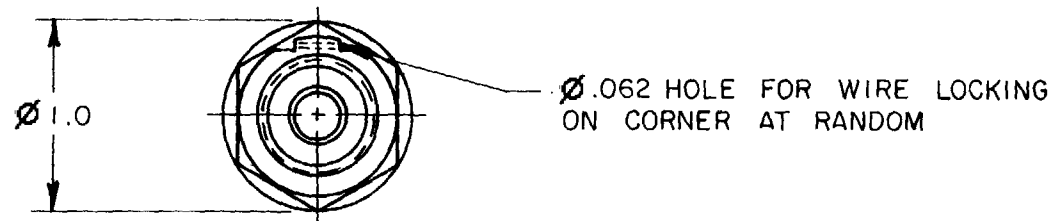


**MICRO SWITCH**  
 FREEPORT, ILLINOIS, U.S.A.  
 A DIVISION OF HONEYWELL

**SWITCH - ENCLOSED**

CATALOG LISTING  
**2001EN107-RB**

FED. MFG. CODE 91929



**NOTES**

- 1 - SWITCH SEALED PER MIL-PRF-8805 SYMBOL 4
- 2 - CIRCUIT DIAGRAM, CATALOG LISTING, FED. MFG. CODE AND DATE CODE ARE PERMANENTLY MARKED ON SIDE OF HOUSING
- 3 - ROLLER BALL BEARING PLUNGER FOR USE WITH 20° MAX RISE ON CAM AND SLIDE ACTUATION
- 4 - COINCIDENCE OF OPERATING AND RELEASING POINTS: .010 OF PLUNGER TRAVEL
- 5 - ALL EXPOSED PARTS MONEL
- 6 - CONNECTOR SECTION TO MATE WITH BURTON CONNECTOR 5006-0062

THIS DRAWING COVERS A PROPRIETARY ITEM AND IS THE PROPERTY OF MICRO SWITCH, A DIVISION OF HONEYWELL. THIS DRAWING IS NOT TO BE COPIED OR USED WITHOUT THE APPROVAL OF MICRO SWITCH.

SCALE FULL	
DO NOT SCALE PRINT	
UNLESS OTHERWISE SPECIFIED TOLERANCES ARE	
ONE PLACE	(.0) ± .030
TWO PLACE	(.00) ± .015
THREE PLACE	(.000) ± .005
ANGLES	±
THIRD ANGLE PROJECTION	
WEIGHT 5.0 OZ MAX	

CHARACTERISTICS	
OPERATING FORCE	6-12 LB
FULL OVERTRAVEL FORCE	30 LB MAX
RELEASE FORCE	4 LB MIN
PRETRAVEL	.040 MAX
DIFFERENTIAL TRAVEL	.020 MAX
OVERTRAVEL	.140 MIN

ELECTRICAL DATA		
CONTACT ARRANGEMENT		
2X SPDT		
LOAD	28 VDC	
	SEA LEVEL	50,000 FT.
RES	4	4
IND	2	2
MOTOR	4	

2001EN107-RB

PAGE 1 OF 1

M

DRAWING NUMBER

6

ISSUE

REVISIONS

A	PR-17401
18	MAM JUL 89
B	072022
8	TSM SEPT 92
C	094408
	JAT MAR 99

FORMTEK

FO-5285 1-B

DRAWN

MAM 18 JUL 89

REPLACES X90160-EN

RELEASE NO. PR-17401

CHECK

CHECK

25 JUL 89

CHECK

ANSI Y14.5M-1982 APPLIES