

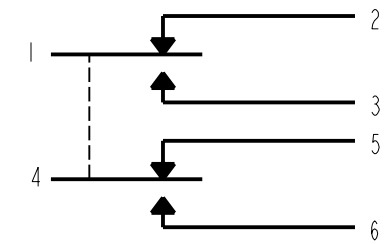
MICRO SWITCH
a Honeywell Division

FED. MFG. CODE 91929

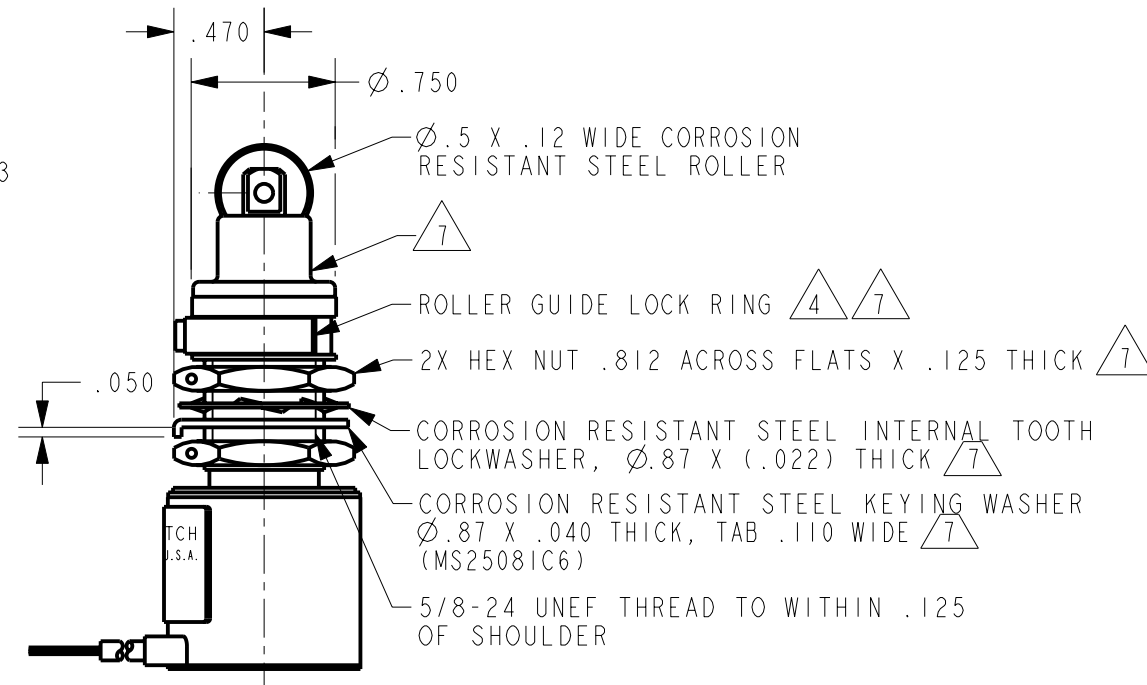
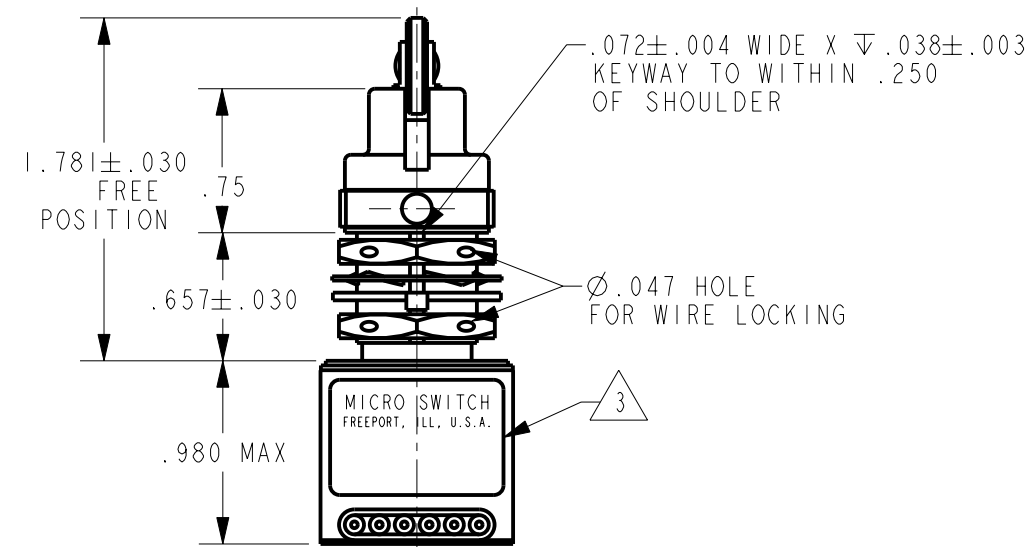
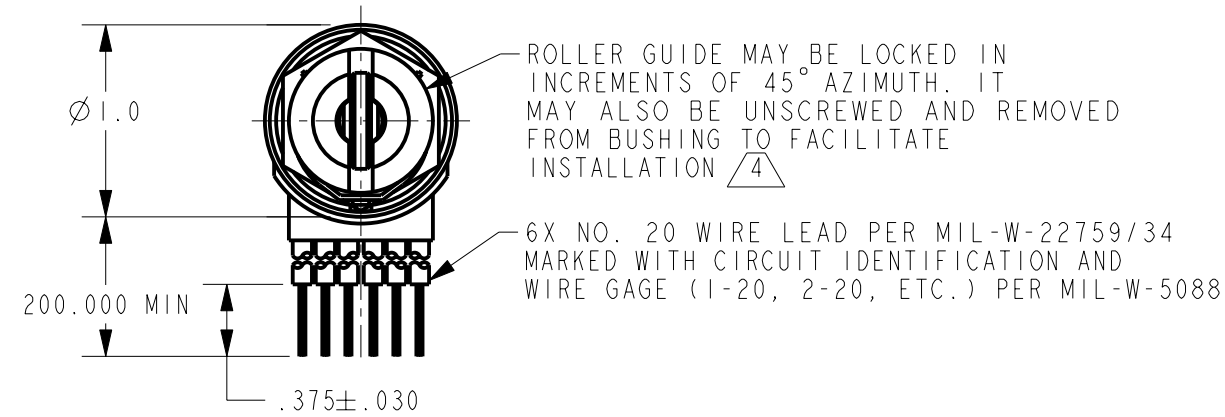
SWITCH - ENCLOSED

CATALOG LISTING

21HE309



CIRCUIT DIAGRAM



CATALOG LISTING
 21HE309
 PAGE 1 OF 1
 RELEASE NO. PR-23420
 REPLACES
 ISSUE 4
 CHECK
 REVISIONS
 A C096009
 TSM
 27 JAN 00
 CHECK
 27 JAN 00
 SAV
 CHECK
 27 JAN 00
 DRAWN
 TSM
 27 JAN 00
 PTC/CAD 2D

THIS DRAWING COVERS A PROPRIETARY ITEM AND IS THE PROPERTY OF MICRO SWITCH, A DIVISION OF HONEYWELL. THIS DRAWING IS NOT TO BE COPIED OR USED WITHOUT THE APPROVAL OF MICRO SWITCH

CHARACTERISTICS		ELECTRICAL DATA	
OPERATING FORCE -----	6-12 LB	CONTACT ARRANGEMENT 2X S P D T	
FULL OVERTRAVEL FORCE -----	30 LB MAX		
RELEASE FORCE -----	4 LB MIN	28 VDC	
PRETRAVEL -----	.040 MAX	LOAD	SEA LEVEL
DIFFERENTIAL TRAVEL -----	.020 MAX	RES	100,000 FT.
OVERTRAVEL -----	.250 MIN	IND	5
		MOTOR	3
			4

THIRD ANGLE PROJECTION

SCALE FULL

DO NOT SCALE PRINT

UNLESS OTHERWISE SPECIFIED TOLERANCES ARE

ONE PLACE	(.0)	±.030
TWO PLACE	(.00)	±.015
THREE PLACE	(.000)	±.005
ANGLES		±

WEIGHT 12 OZ MAX

- NOTES
- 1 - CORROSIVE RESISTANT STEEL ENCLOSURE
 - 2 - SWITCH SEALED PER MIL-PRF-8805 SYMBOL 5
 - $\triangle 3$ CIRCUIT DIAGRAM AND CATALOG LISTING ARE SHOWN ON NAMEPLATE
 - $\triangle 4$ TO ADJUST ROLLER DIRECTION, REMOVE ROLLER GUIDE LOCK RING, SCREW ROLLER GUIDE DOWN AS FAR AS POSSIBLE, THEN UNSCREW TO DESIRED DIRECTION. SECURE BY REPLACING ROLLER GUIDE LOCK RING
 - 5 - COINCIDENCE OF OPERATING AND RELEASING POINTS: .010 INCH OF PLUNGER TRAVEL
 - 6 - FOR OPERATION IN TEMPERATURES OF -65° TO +257°
 - $\triangle 7$ HARDWARE MAY BE PACKAGED UNASSEMBLED PER MIL-PRF-8805

ANSI Y14.5M-1982 APPLIES