

2TW1 SERIES  
CHART 1

M

DRAWING  
NUMBER

ISSUE

15

REVISIONS

A	C057003	TSK	3 FEB 86
B	C059236	JAP	27 MAR 86
C	C062939	TSK	24 FEB 88

CHECK

6 FEB 86

CHECK

3 FEB 86

DRAWN

FO-32851-B

TSK

REPLACES X35315

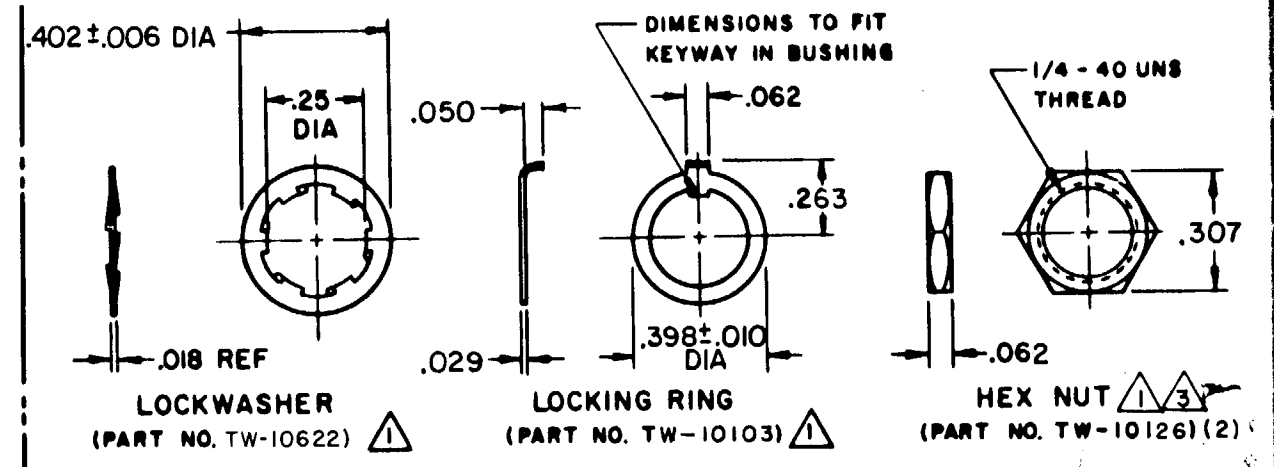
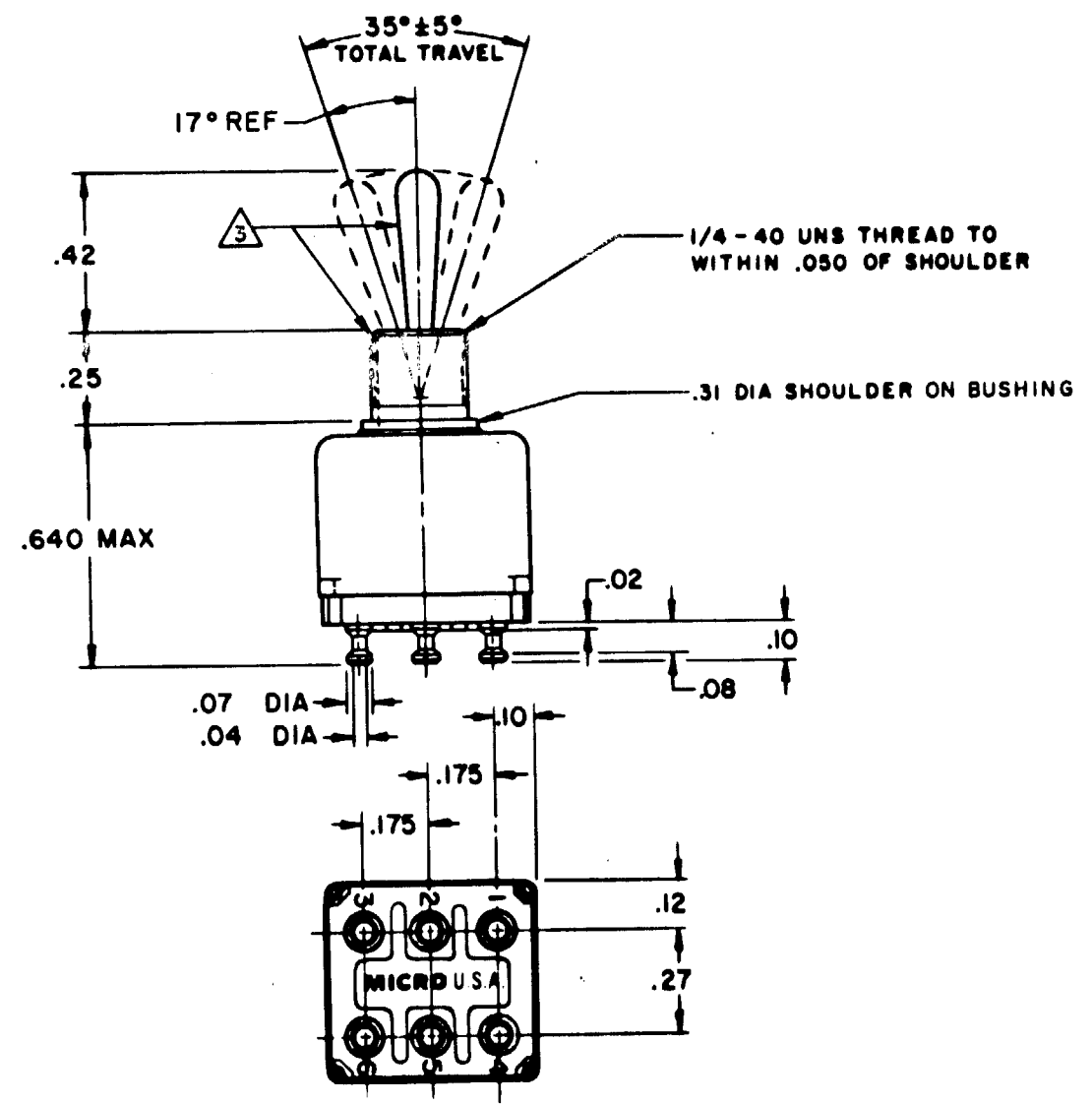
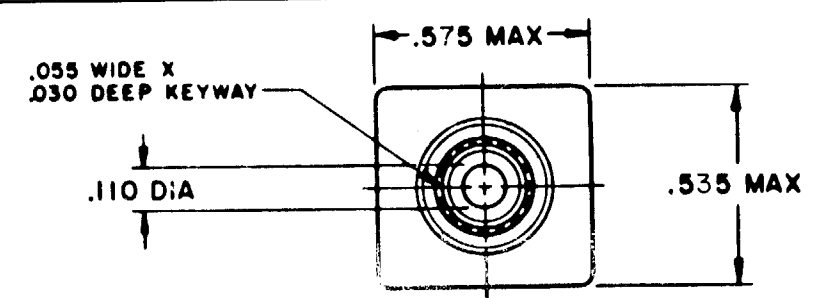
RELEASE NO. SR-12474

CHECK

**MICRO SWITCH**  
FREEPORT, ILLINOIS U.S.A.  
A DIVISION OF HONEYWELL  
FED. MFG. CODE 91929

SWITCH-TOGGLE

CATALOG LISTING  
**2TW1 SERIES**  
CHART 1 ★



CIRCUIT WITH TOGGLE IN

CATALOG LISTING	ONE EXTREME POSITION (KEYWAY)		CENTER POSITION	OTHER EXTREME POSITION (OPPOSITE KEYWAY)	
	2-1	5-4		2-3	5-6
2TW1-1	ON		OFF	ON	MS27717-21-1
2TW1-2	OFF		NONE	ON	MS27717-22-1
2TW1-3	ON		NONE	ON	MS27717-23-1
2TW1-5	MOM ON		OFF	ON	MS27717-31-1
2TW1-7	MOM ON		OFF	MOM ON	MS27717-27-1
2TW1-8	MOM ON		NONE	ON	MS27717-26-1

THIS DRAWING COVERS A PROPRIETARY ITEM AND IS THE PROPERTY OF MICRO SWITCH, A DIVISION OF HONEYWELL. THIS DRAWING IS NOT TO BE COPIED OR USED WITHOUT THE APPROVAL OF MICRO SWITCH.

CHARACTERISTICS

ELECTRICAL DATA  
CONTACT ARRANGEMENT  
**L117**  
5A 125 VAC  
RJ Ⓢ

SCALE 2:1  
DO NOT SCALE PRINT  
TOLERANCES  
UNLESS OTHERWISE SPECIFIED, DIMENSIONS ARE IN INCHES  
DIM. TO DIM. TO TOL.  
mm/in. mm/in. mm/in.  
ONE PLACE .X .1704 .0015  
TWO PLACES .X.X .04915 .0015  
THREE PLACES .X.XX .157306 .0015  
ANGLES  
DESIGN UNITS  METRIC  CUSTOMARY  
THIRD ANGLE PROJECTION  
WEIGHT .020 LB MAX

- NOTES  
1 - FURNISHED UNASSEMBLED  
2 - TERMINALS ARE PLATED FOR SOLDERING  
3 - MATTE FINISH