

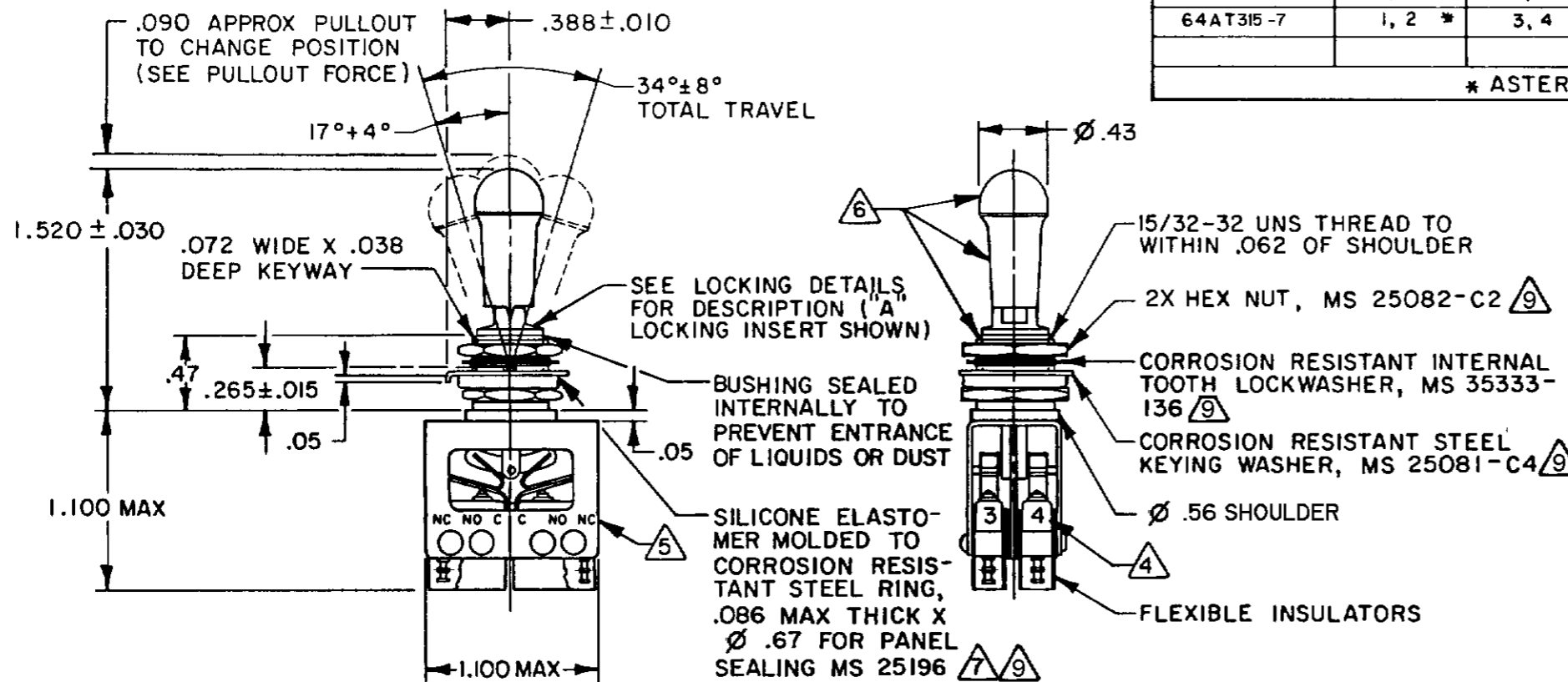
MICRO SWITCH
 FREEPORT ILLINOIS U.S.A.
 A DIVISION OF HONEYWELL
 FED. MFG. CODE 91929

**ASSEMBLY -
 TOGGLE SWITCH**

CATALOG LISTING
64AT315 SERIES
CHART 2

CATALOG LISTING ⁸	KEYWAY POSITION		CENTER POSITION		OPPOSITE KEYWAY POSITION		RECOMMENDED LOCKING COMBINATIONS
	C-NC	C-NO	C-NO	C-NC	C-NC	C-NO	
64AT315-1	1, 2	3, 4	NONE	ALL	3, 4	1, 2	A,B,D,E,F,G,H,J,K,L,M,N,P
64AT315-3	1, 2	3, 4	NONE	NONE	3, 4	1, 2	D,F,G
64AT315-5	1, 2 *	3, 4 *	NONE	ALL	3, 4	1, 2	E,F,K,L,M,N
64AT315-7	1, 2 *	3, 4 *	NONE	ALL	3, 4 *	1, 2 *	E,L,N

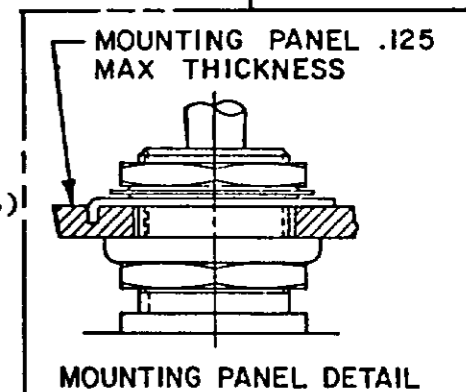
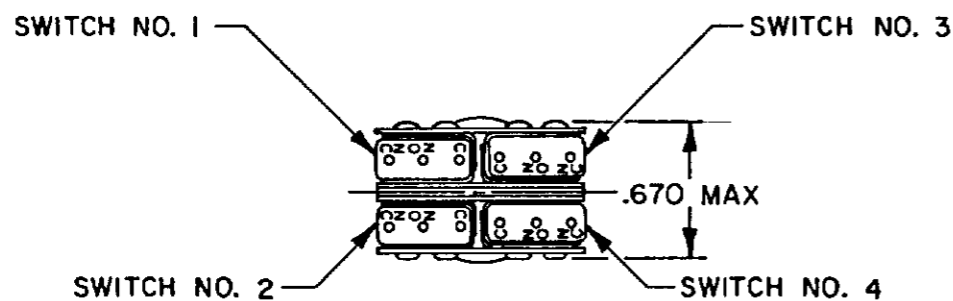
* ASTERISK DENOTES MOMENTARY POSITION



"A" LOCKED IN THREE POSITIONS	"B" LOCKED IN CENTER AND EXTREME POSITION (KEYWAY SIDE)	"D" LOCKED OUT OF CENTER POSITION	"E" LOCKED IN CENTER POSITION
"F" LOCKED IN EXTREME POSITION (OPPOSITE KEYWAY)	"G" LOCKED IN EXTREME POSITION (KEYWAY SIDE)	"H" LOCKED OUT OF CENTER AND EXTREME POSITION (KEYWAY SIDE)	"J" LOCKED OUT OF CENTER AND EXTREME POSITION (OPPOSITE KEYWAY)
"K" LOCKED IN CENTER AND EXTREME POSITION (OPPOSITE KEYWAY)	"L" LOCKED OUT OF EXTREME POSITION (KEYWAY SIDE)	"M" LOCKED OUT OF AND INTO EXTREME POSITION (OPPOSITE KEYWAY)	"N" LOCKED OUT OF EXTREME POSITION (OPPOSITE KEYWAY)
			"P" LOCKED OUT OF AND INTO EXTREME POSITION (KEYWAY SIDE)

NOTES

- 1 - UNIT INCLUDES 4X "SX" GOLD CONTACT TYPE BASIC SWITCH
- 2 - SWITCHES DO NOT NECESSARILY OPERATE SIMULTANEOUSLY
- 3 - TERMINALS ARE PLATED FOR SOLDERING
- ⁴ SWITCH NUMBERS MARKED ON END OF BASIC SWITCHES
- ⁵ TERMINAL DESIGNATION MARKED ON BOTH SIDES OF UNIT
- ⁶ DULL FINISH ON BUTTON, LEVER AND BUSHING
- ⁷ FOR PANEL SEAL TO BE EFFECTIVE MOUNTING HOLE IN PANEL SHOULD NOT EXCEED Ø .500
- ⁸ SUFFIX LETTER MUST BE ADDED FOR DESIRED TYPE TOGGLE LOCKING (SEE CHART FOR RECOMMENDED LOCKING COMBINATIONS)
- ⁹ HARDWARE FURNISHED ASSEMBLED WITH SWITCH OR IN PACKET PER MIL-PRF-8805
- 10 REPLACEMENT MOUNTING HARDWARE PACKET 15PA314-AT



ANSI Y14.5M-1982 APPLIES

THIS DRAWING COVERS A PROPRIETARY ITEM AND IS THE PROPERTY OF MICRO SWITCH, A DIVISION OF HONEYWELL. THIS DRAWING IS NOT TO BE COPIED OR USED WITHOUT THE APPROVAL OF MICRO SWITCH.

THIRD ANGLE PROJECTION

SCALE FULL

DO NOT SCALE PRINT

TOLERANCES
 APPLY TO DESIGN UNITS. CONVERSIONS ARE ONLY FOR REFERENCE. UNLESS NOTED, TOLERANCES ARE 2

	DIM	TOL.	DIM	TOL.
	IN	mm/in	IN	mm/in
NO PLACES	Ø	1/64	X X	0.01/0.05
ONE PLACE	X X	0.47/0.16	X X X	0.25/0.15
TWO PLACES	X X X	0.15/0.08	X X X X	0.13/0.05
THREE PLACES	X X X X			

DESIGN UNITS METRIC US CUSTOMARY

RAW MATERIAL-COMMERCIAL STANDARD
 MICRO SWITCH STANDARDS APPLY
 DIMENSIONS ARE TO BE MET BEFORE
 PROTECTIVE COATINGS ARE APPLIED

WEIGHT .09 LB EST

CHARACTERISTICS

PULLOUT FORCE --- 3 LB MIN - 5 LB MAX

ELECTRICAL DATA

CONTACT ARRANGEMENT
 4X S P D T

L22

1A 125 VAC



ELECTRICAL RATINGS

LOAD	SEA LEVEL		50,000 FT
	28 Vdc (AMPERES)	115 Vac, 60 Hz (AMPERES)	28 Vdc (AMPERES)
RESISTIVE	7	7	4
INDUCTIVE	4	7	2.5

64AT315 SERIES
 CHART 2

M

DRAWING NUMBER

2

ISSUE

REVISIONS

A	207070
	T S M
	19 DEC 02

CHECK

CHECK

CHECK

11 JUL 97

RASTER

DRAWN

LJK